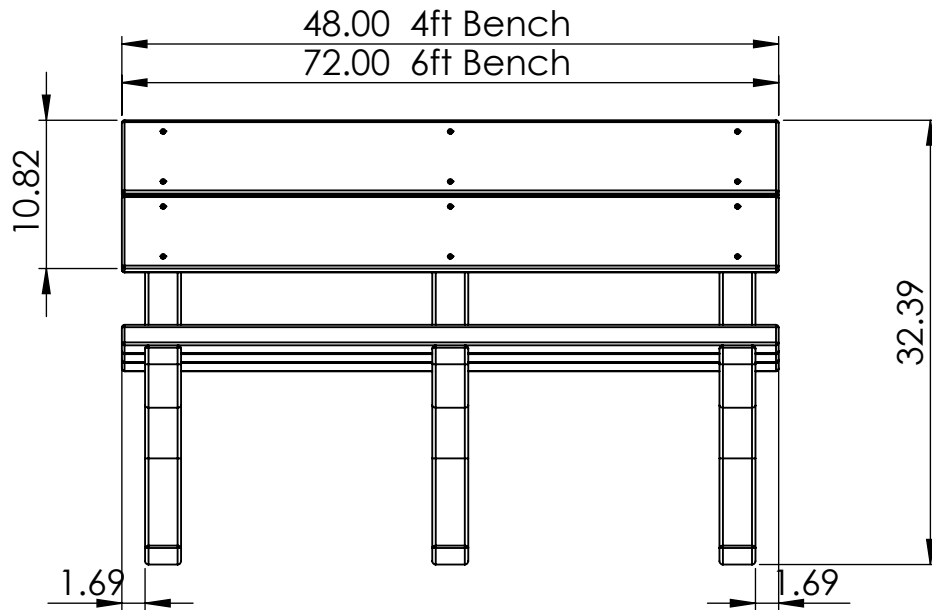
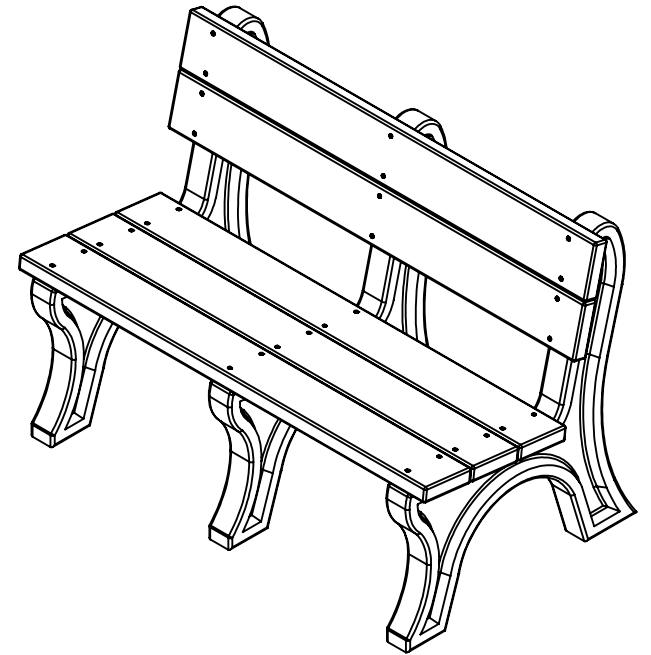
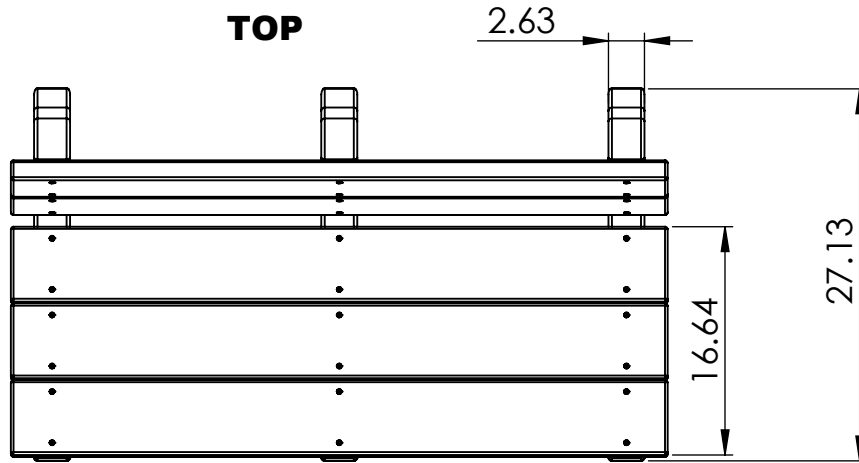


# BENCH SPECIFICATIONS

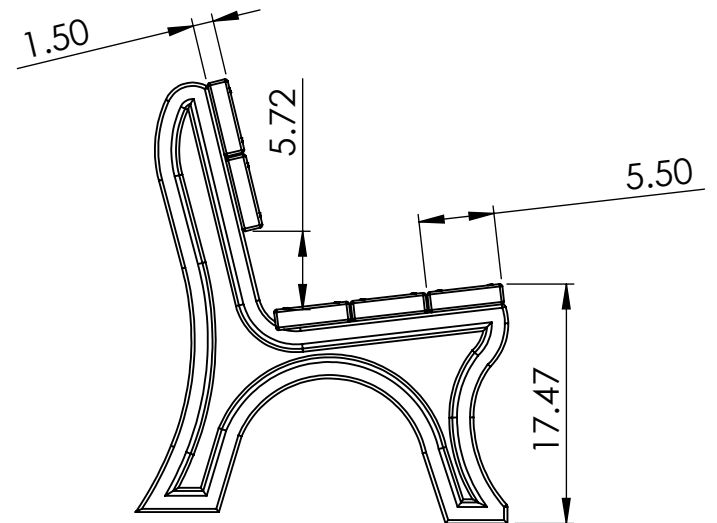
REV# 4  
1/22/2018

- BC1465
- BC1470
- BC1481
- BC1482
- BC1485
- BC1490
- BC1501
- BC1502
- BC1505
- BC1510
- BC1550

**TOP**



**FRONT**



**SIDE**

**CONSTRUCTION MATERIALS:**  
Recycled Plastic  
**HARDWARE:**  
Stainless Steel

ALL DIMENSIONS ARE SHOWN IN INCHES