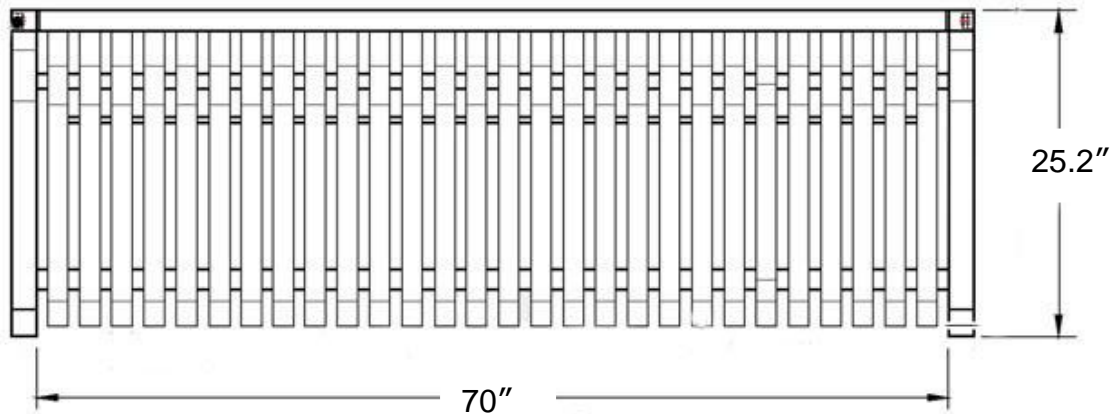
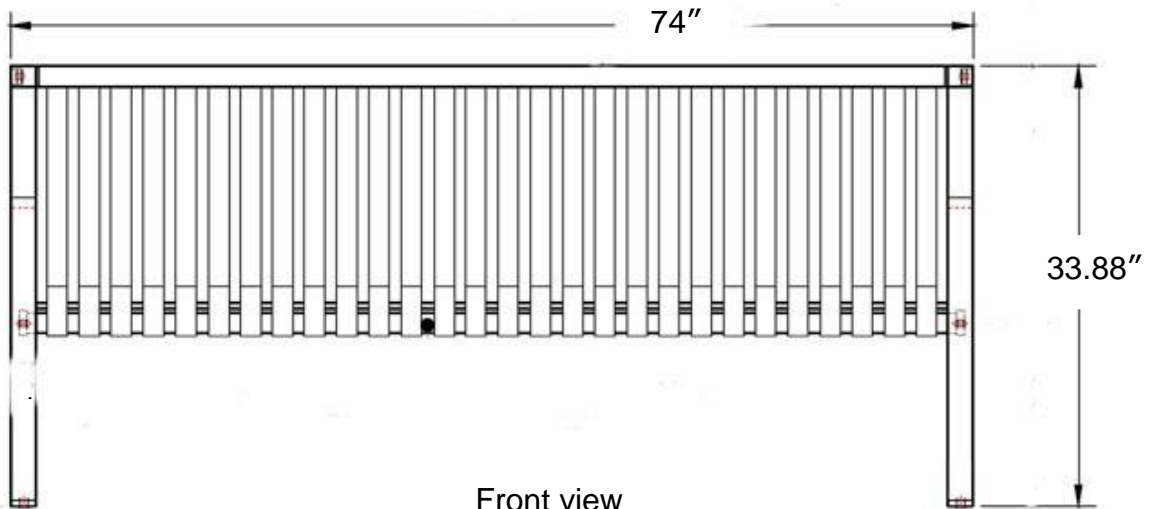


Specifications

Steel Slat Straight Back Park Bench



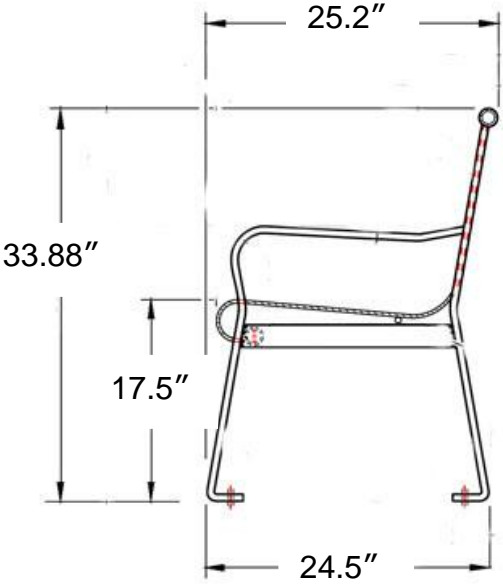
Top view



Front view

Length	Width	Height	Seat height	Steel slats
74"	25.2"	33.88"	17 1/2"	Width: 1.57" Thickness: 0.177" Space in between: 0.91"

Material:	Cold rolled carbon steel
Finish:	Black powder coating
Fasteners:	All stainless steel fasteners
Seat Steel Slats:	7 Gauge
Bench End Steel:	0.4" thickness



End view