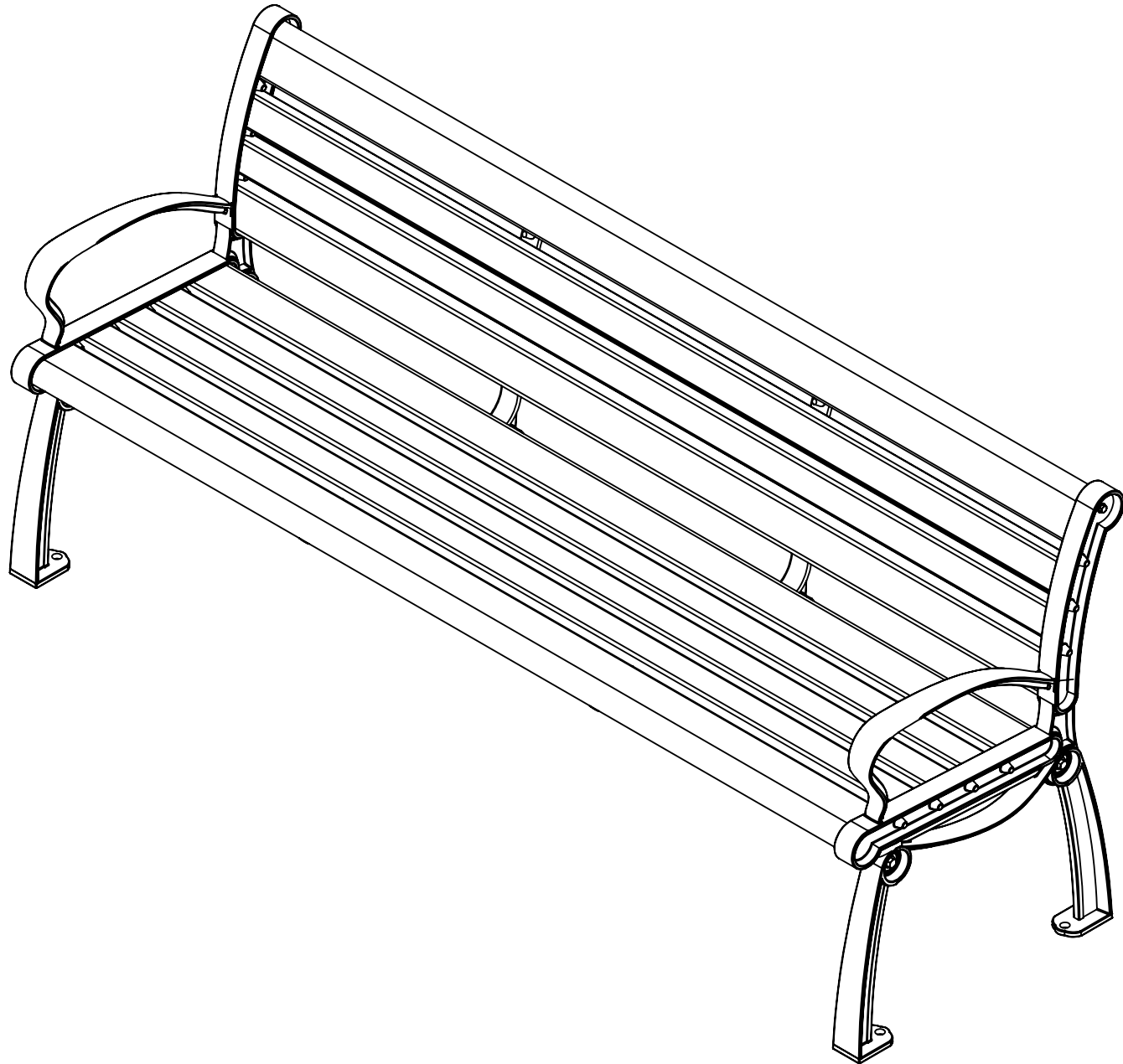


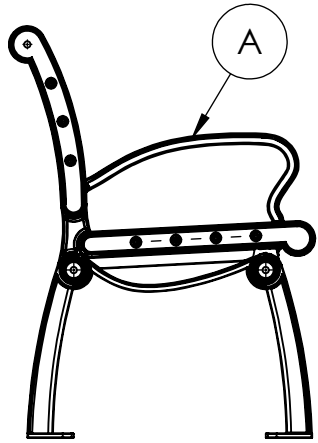
BENCH INSTRUCTIONS
BC1350

REV# 2
1/18/18

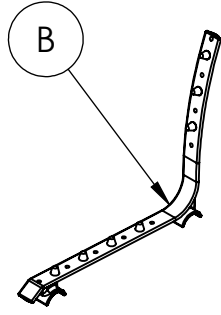


BENCH INSTRUCTIONS

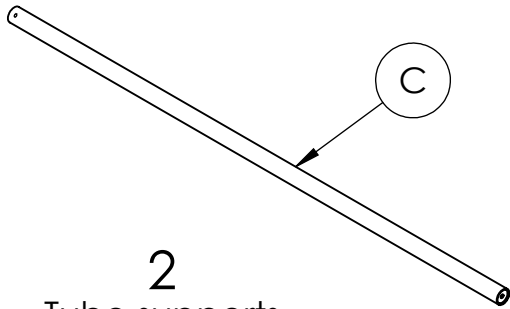
BC1350



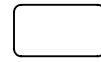
2
Bench ends



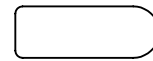
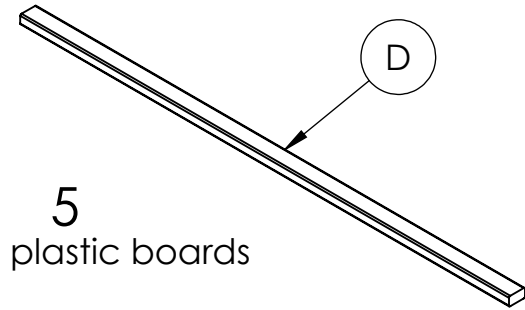
2
Seat supports



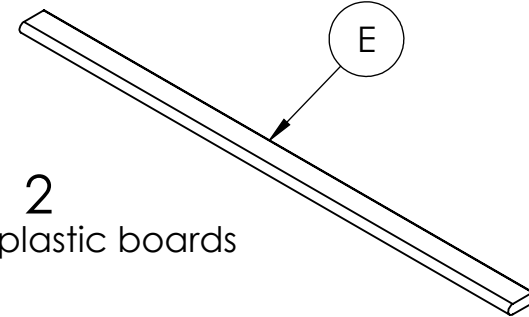
2
Tube supports



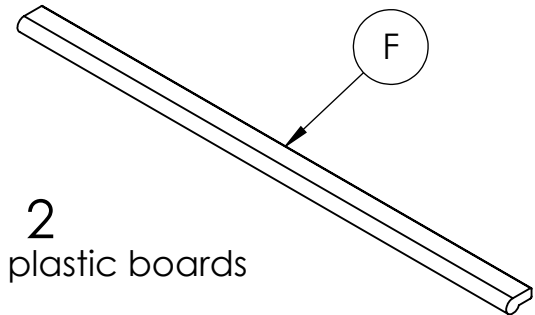
5
Square plastic boards



2
Bull nose plastic boards

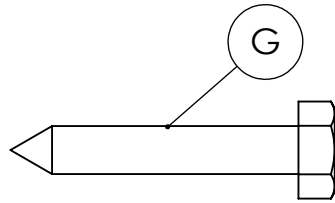


2
Tear drop plastic boards

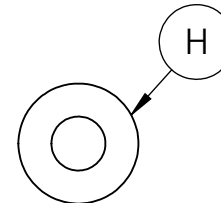


BENCH INSTRUCTIONS

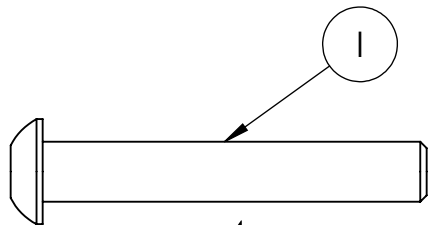
BC1350



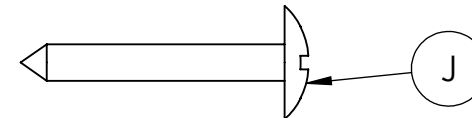
2
1/4" x 1-1/12" Lag screw



2
1/4" Flat washer



4
M10 x 40mm Button Head
Cap Screw



18
#10 X 30mm Pan Head Screws

REQUIRED TOOLS (NOT INCLUDED)

- 1 - 7/16" SOCKET WRENCH
- 1 - 6mm ALLEN WRENCH
- 1 - PHILLIPS HEAD BIT
- 1 - 1/8" DRILL BIT
- POWER DRILL

NOTE: IT IS IMPORTANT TO KEEP ALL SCREWS LOOSE DURING ASSEMBLY UNTIL ENTIRE BENCH IS ASSEMBLED

**HARDWARE &
TOOLS REQUIRED
FOR ASSEMBLY**

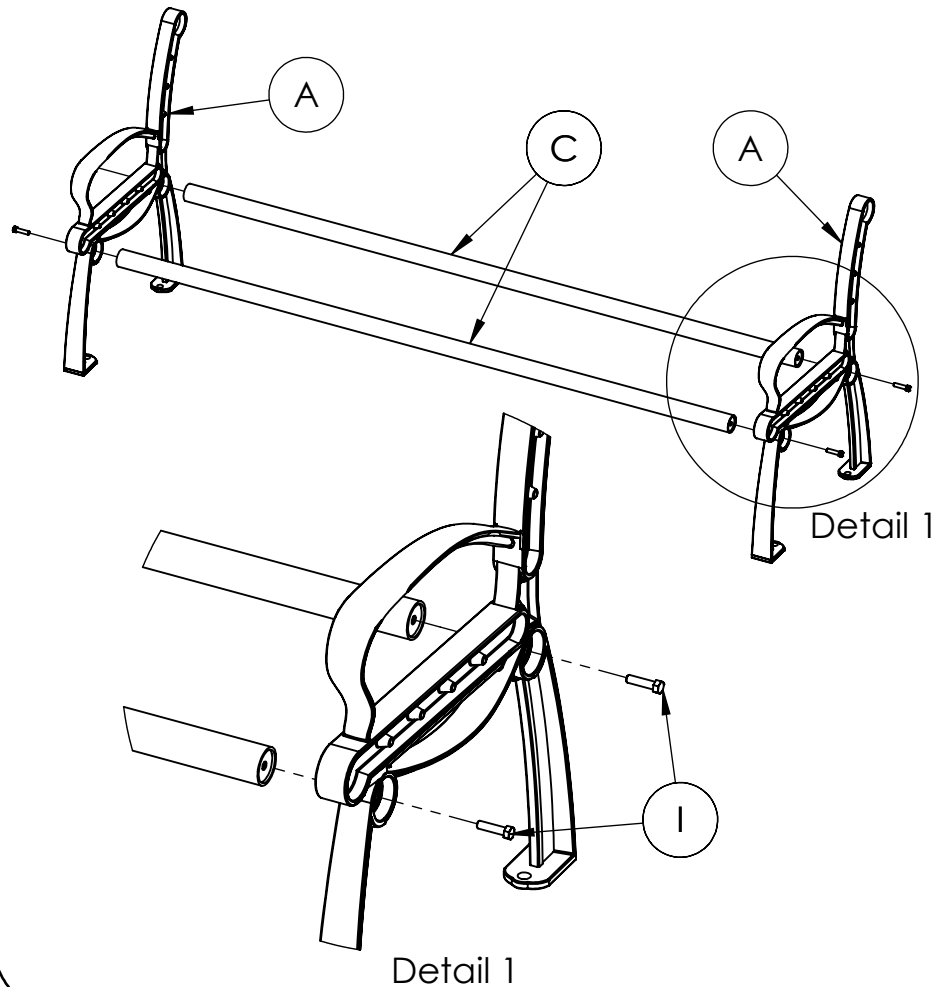
3/7

BENCH INSTRUCTIONS

BC1350

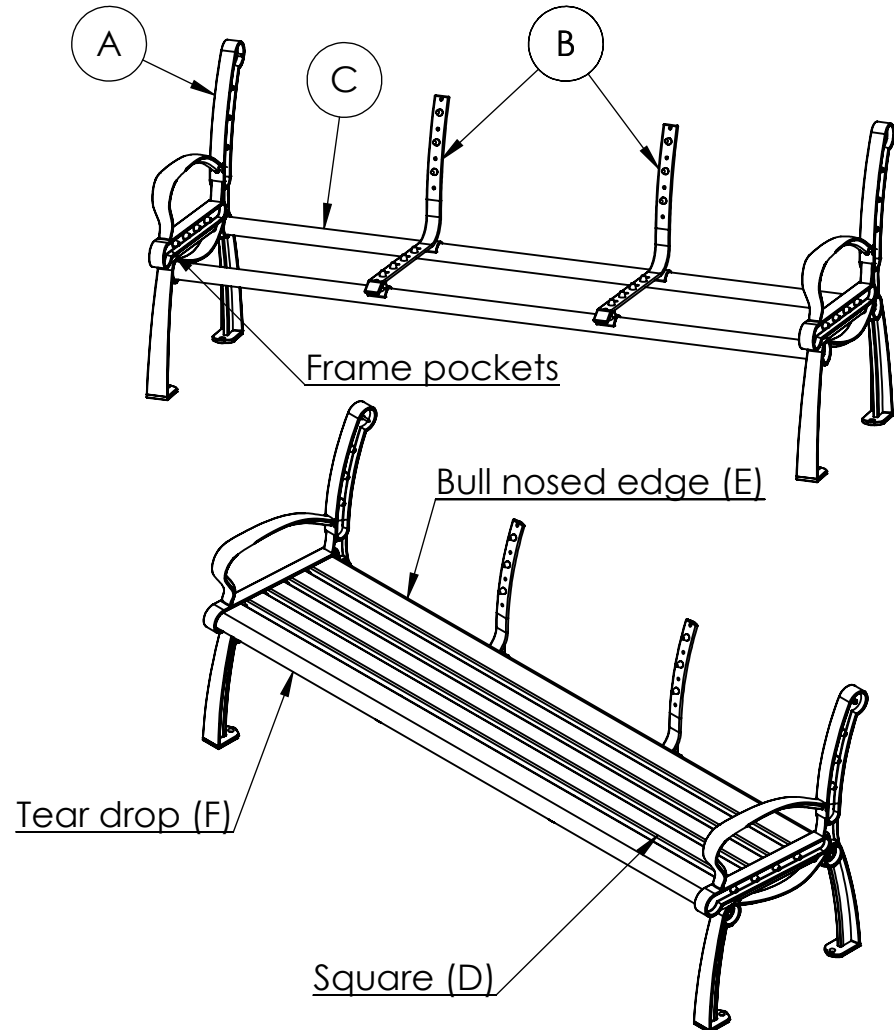
STEP 1 Frame Assembly

- Stand the a bench end (A) upright
- Place a tube support (C) in the bench end (A)
- Align the holes in the bench end (A) with the hole in the end of the tube support (C)
- Loosely attach the tube support with the 10mm button head cap screws (I)
- Repeat for the opposite tube support (C) and bench end (A)



STEP 2 Seat Assembly

- Place the seat supports (B) over the tube supports (C)
- Locate 1 tear drop board (F), 1 bull nosed board (E) and 3 square boards (D)
- Position them in the order shown below into the loose frame pockets in the bench ends (A) and over the seat supports (B)

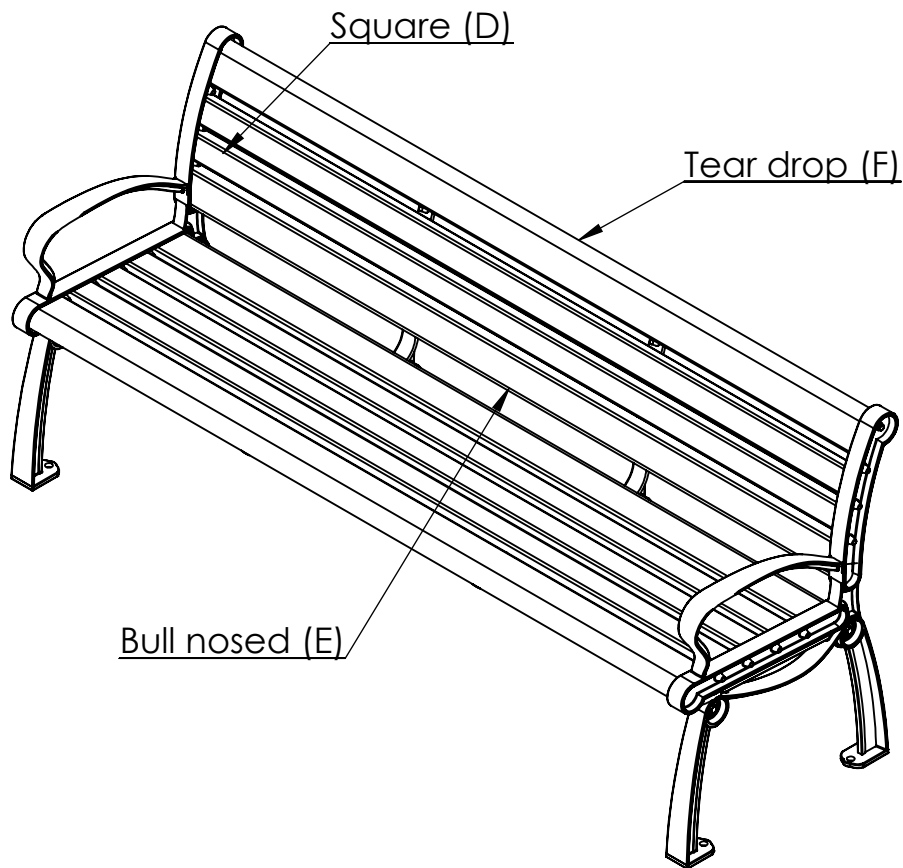


BENCH INSTRUCTIONS

BC1350

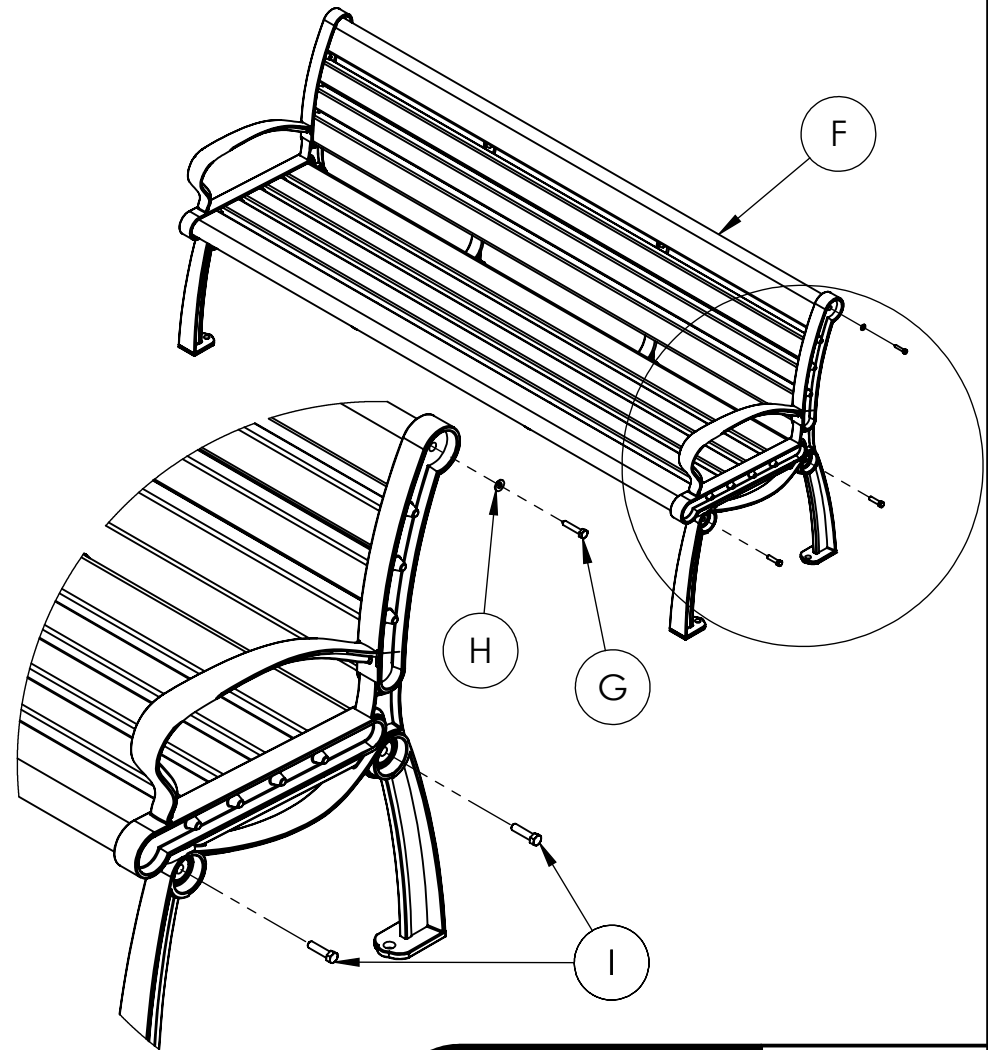
STEP 3 Backrest Assembly

- Locate 1 tear drop board (F), 1 bull nosed board (E) and 2 square boards (D)
- Insert each board into the loose frame pockets in the bench ends (A) in the order shown below



Step 4 Secure Bench End

- Slide the bench ends (A) together and tighten the 10mm button head cap screws (I) in the bench ends (A)
- Hold the top tear drop board (F) against the top of the bench end (A)
- Secure the tear drop board (F) with a 1/4" x 1-1/2" lag screw (G) and 1/4" flat washer (H) at each end

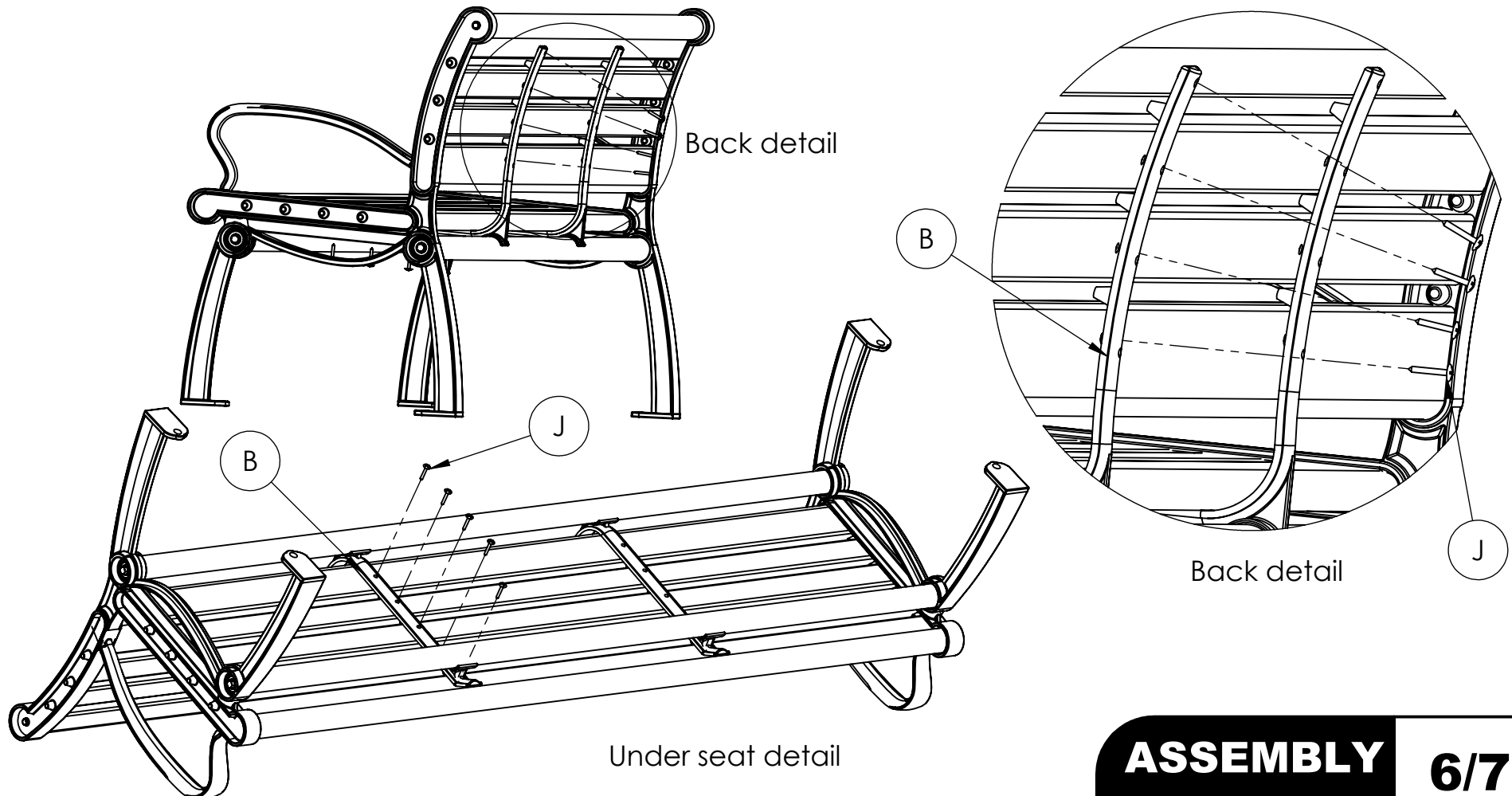


BENCH INSTRUCTIONS

BC1350

Step 5 Attach Seat Supports

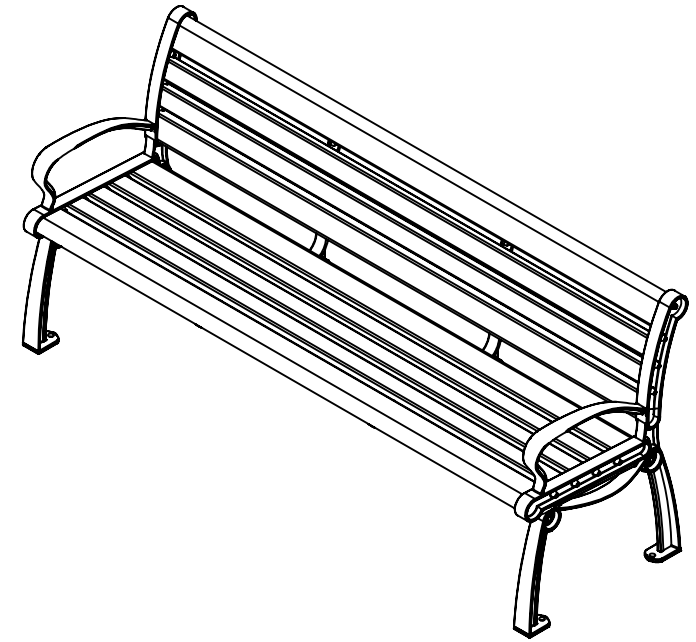
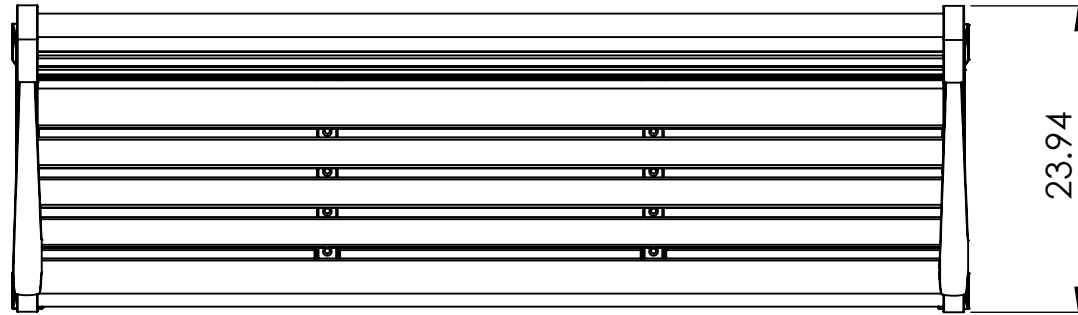
- Align the seat supports (B) with the predrilled holes in the square boards (D)
- Attach the square boards (D) to the seat supports (B) with #10 pan head screws (J) at each hole location
- Use a 1/8" drill bit and predrill a 1/2" deep hole into all bull nosed boards (F) and all tear drop boards (E) at the hole location in the seat support (B)
- Secure with #10 pan head screws (J) and flat washer (H)
- Carefully tip the assembly forward onto a protected surface
- Repeat the above steps to attach the seat supports (B) to the under side of the seat boards



BENCH SPECIFICATIONS BC1350

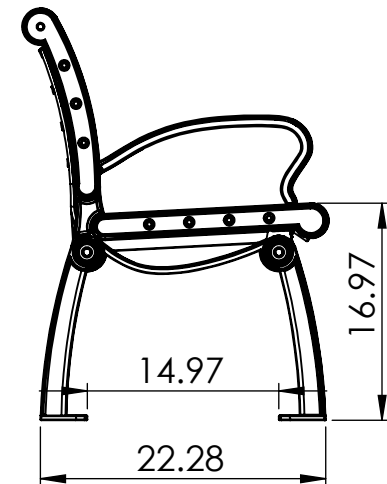
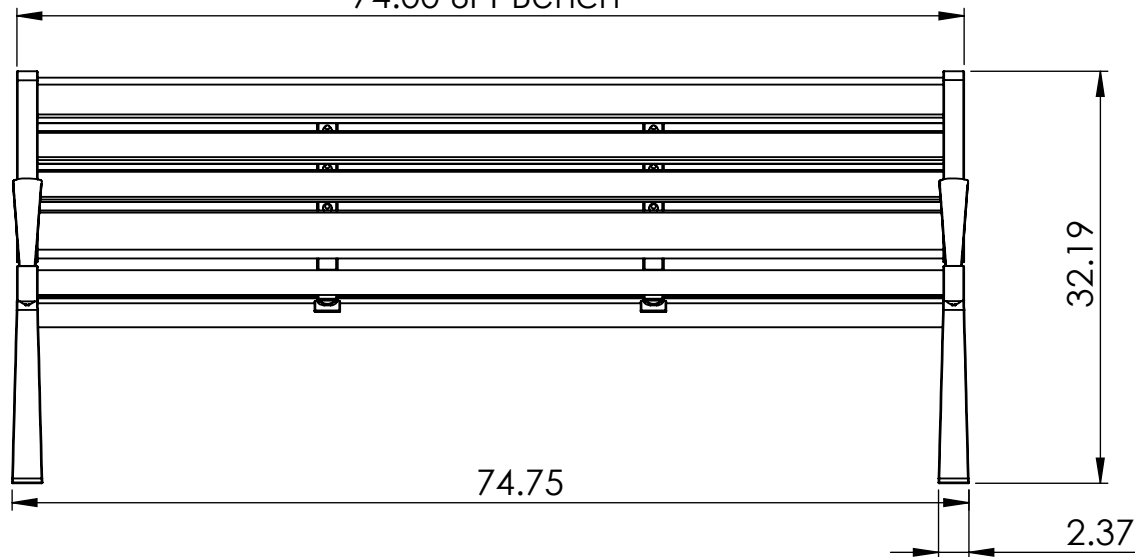
REV# 2
1/18/18

TOP



Tear drop board 3.75" x 1.34" 2.88" of flat surface on board
Bull nosed board 3.75" x 1.34" 3.00" of flat surface on board
Square board 2.36" x 1.34"

74.00 6FT Bench



CONSTRUCTION MATERIALS:

Recycled Plastic
Cast Aluminum

HARDWARE:

Stainless Steel

ALL DIMENSIONS ARE SHOWN IN INCHES