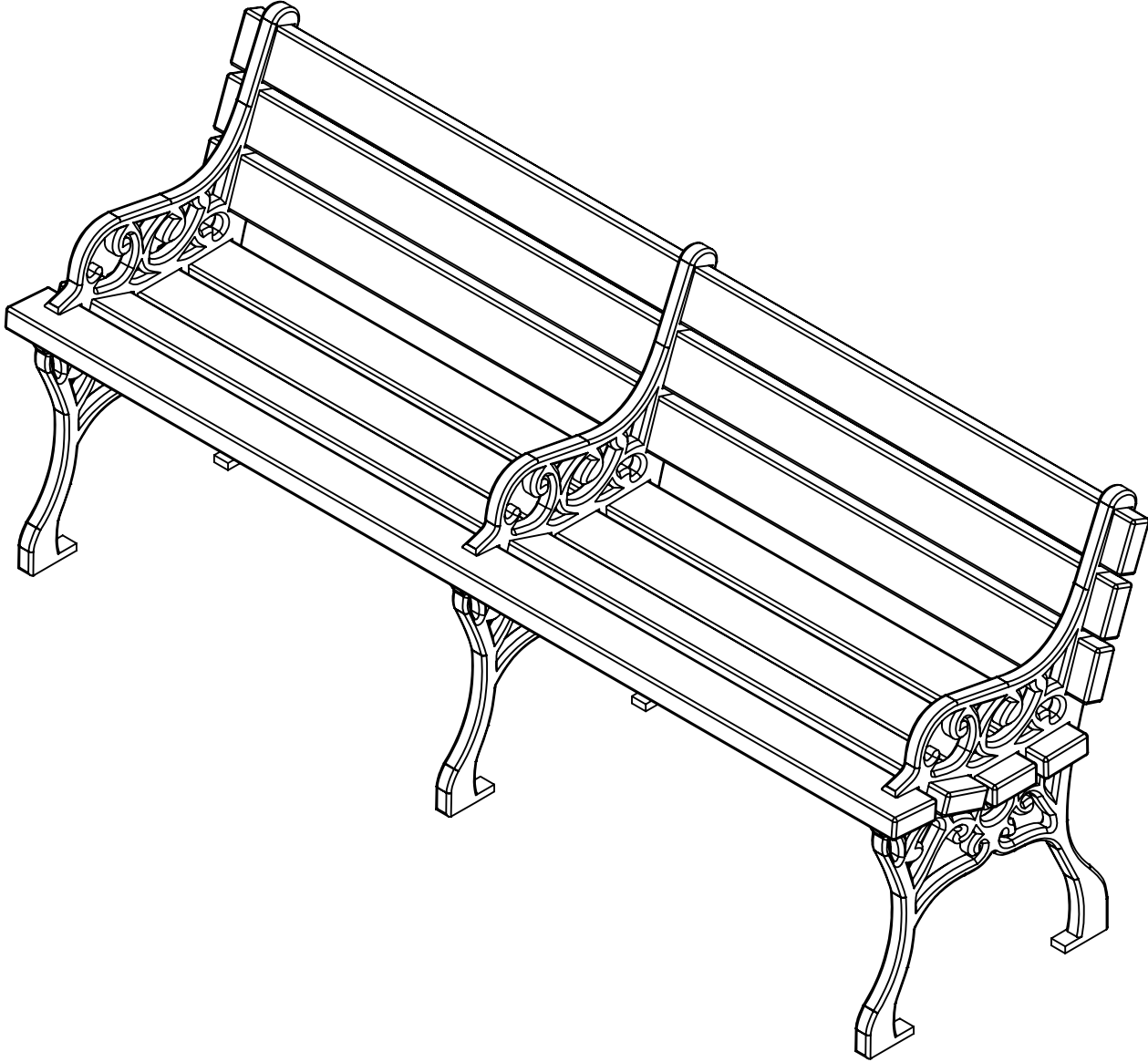


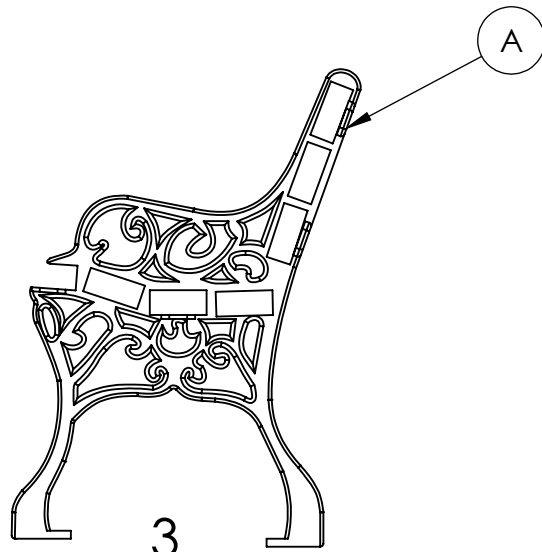
**6FT BENCH INSTRUCTIONS**  
**BC1190**

REV# 3  
1/12/2018

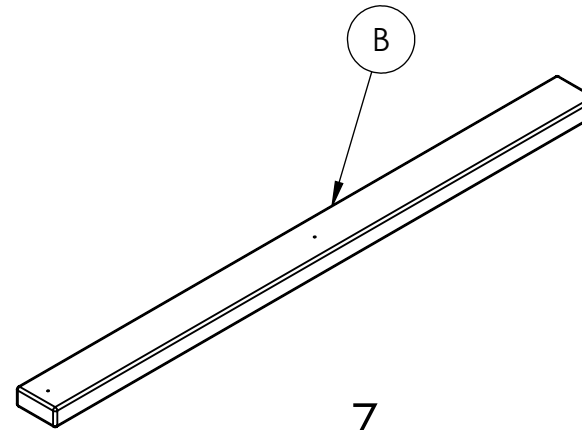


# 6FT BENCH INSTRUCTIONS

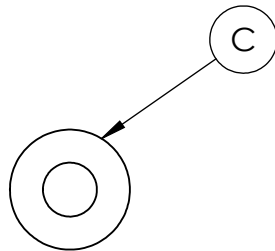
## BC1190



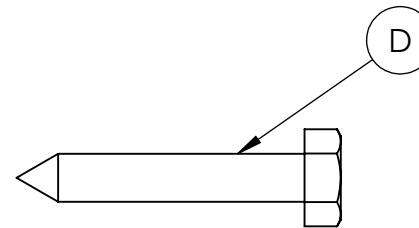
3  
Bench Ends  
ABC-LJM1000



7  
Seat Slats  
ABC-P0077



21  
1/4" FLAT WASHER



21  
1/4" X 1.50" LAG SCREW

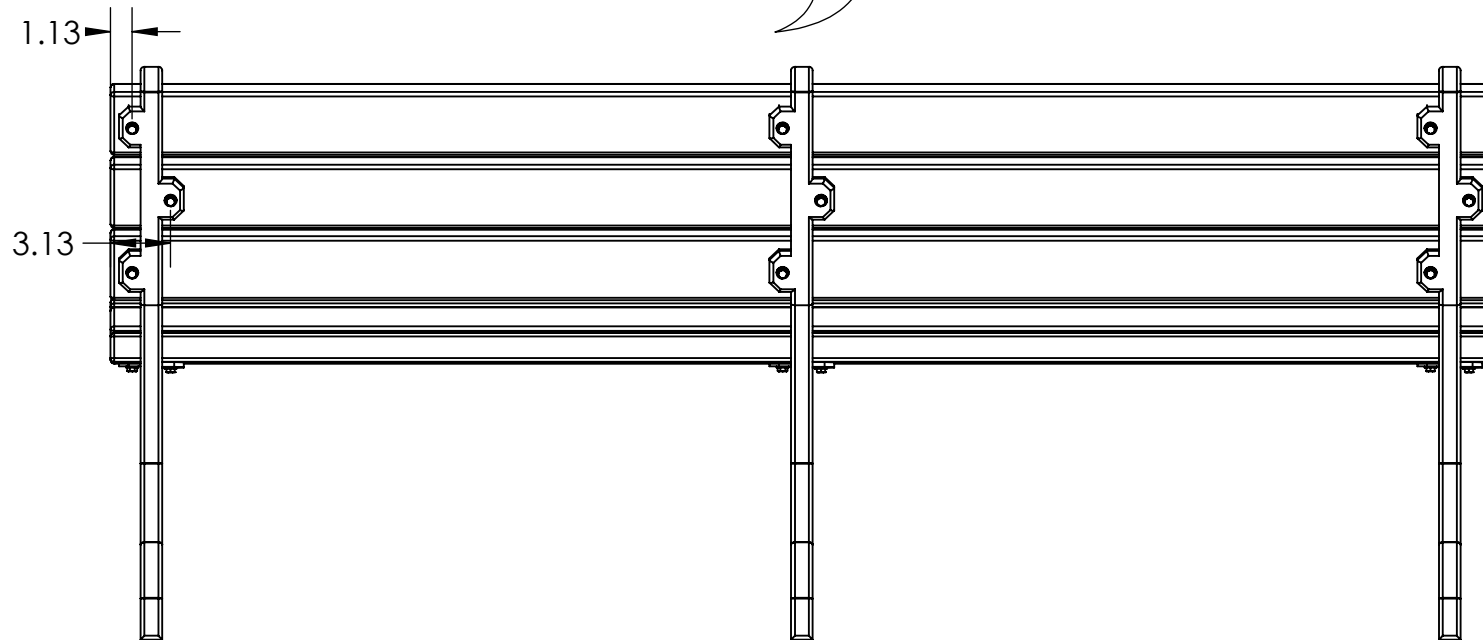
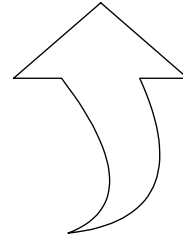
**REQUIRED TOOLS:**  
-(1) 7/16" SOCKET  
-(1) 90° SQUARE

**NOTE: It is important to keep all hardware finger tight until assembly is complete**

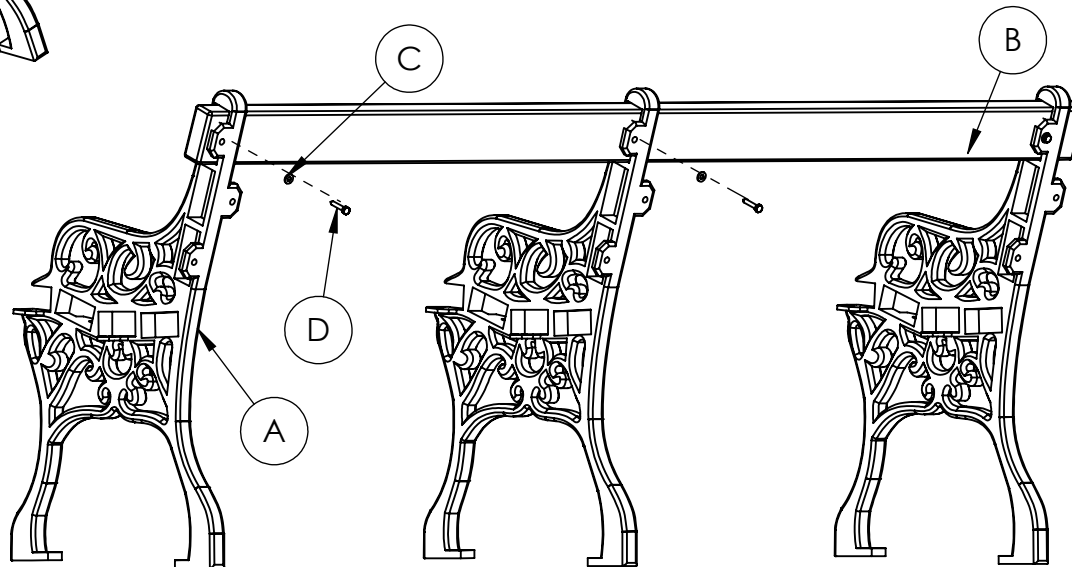
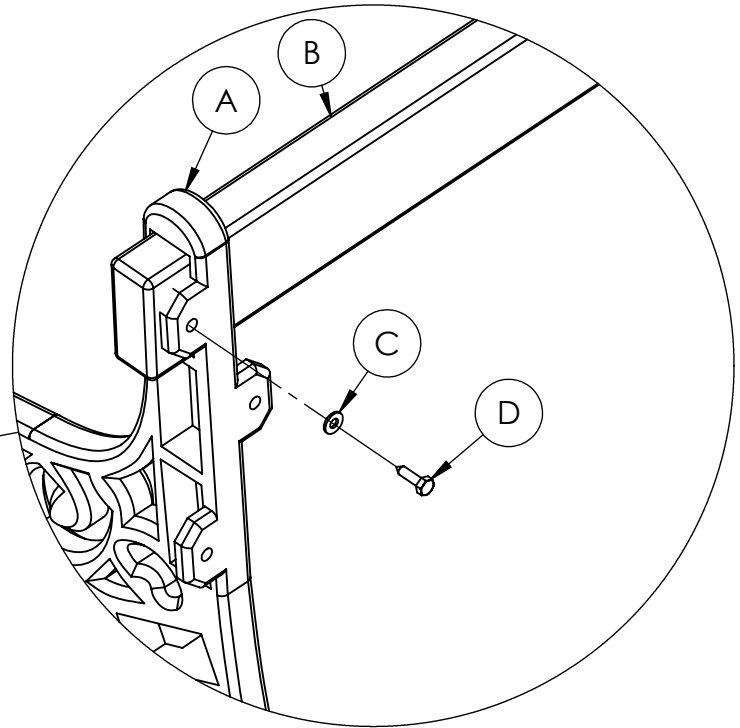
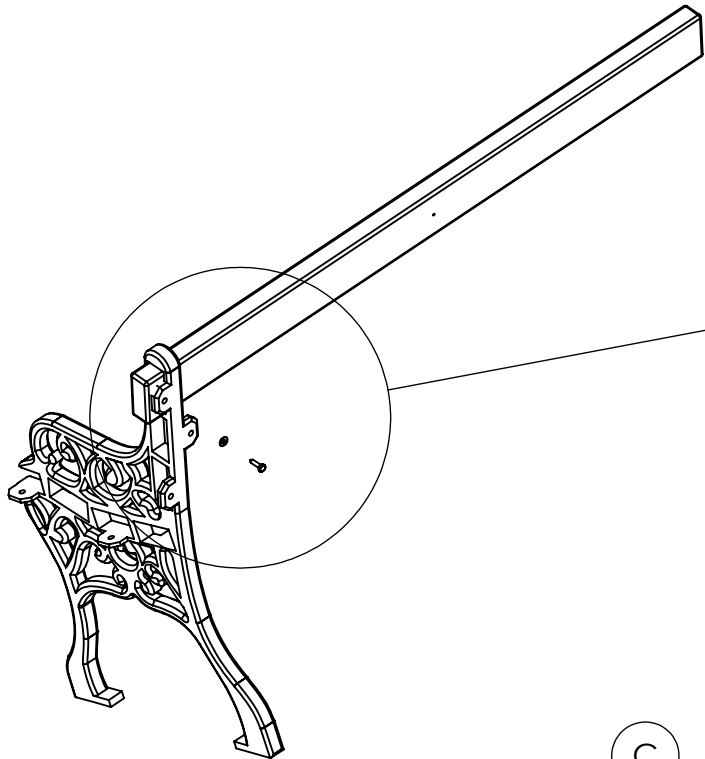
**INCLUDED HARDWARE & REQUIRED TOOLS FOR ASSEMBLY**

# 6FT BENCH INSTRUCTIONS

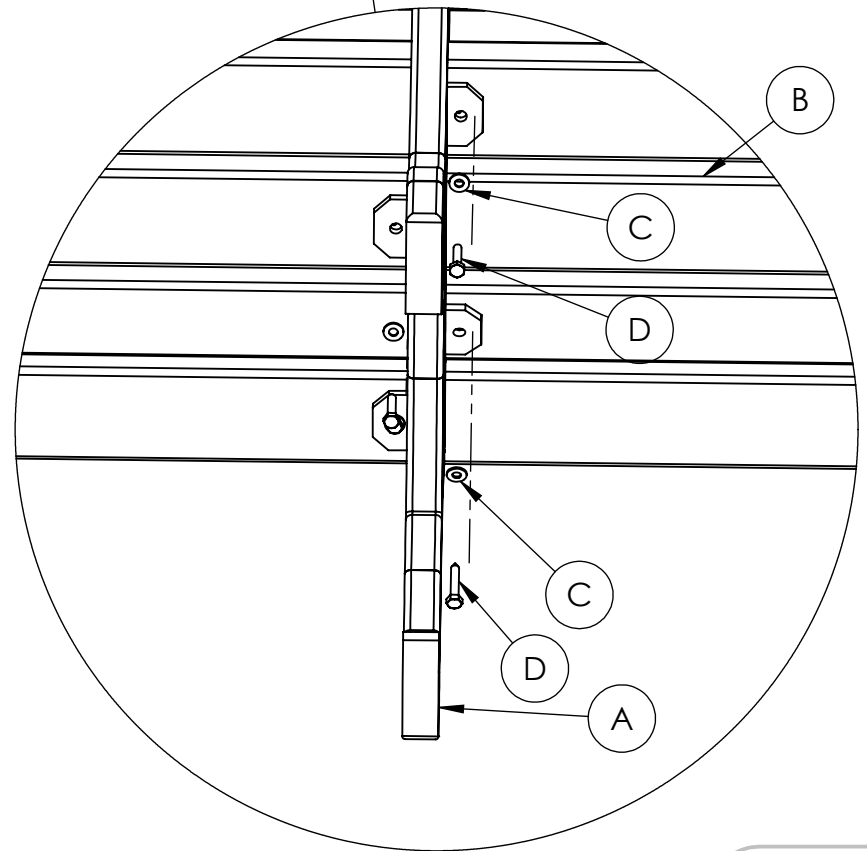
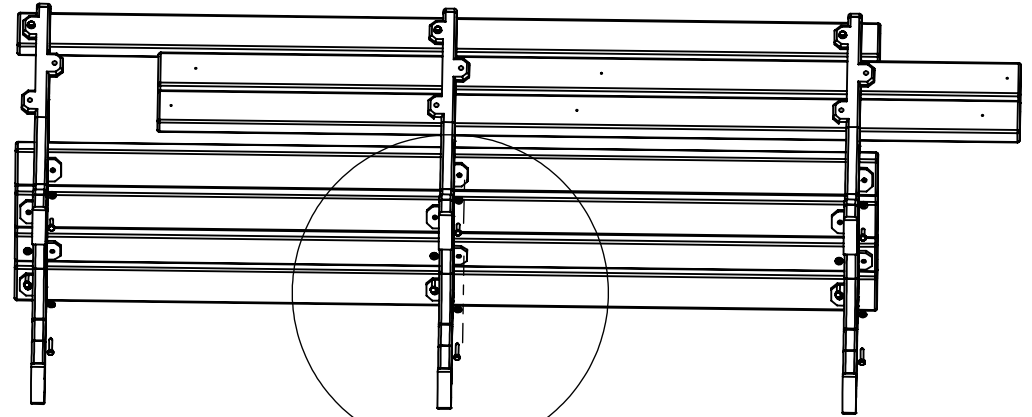
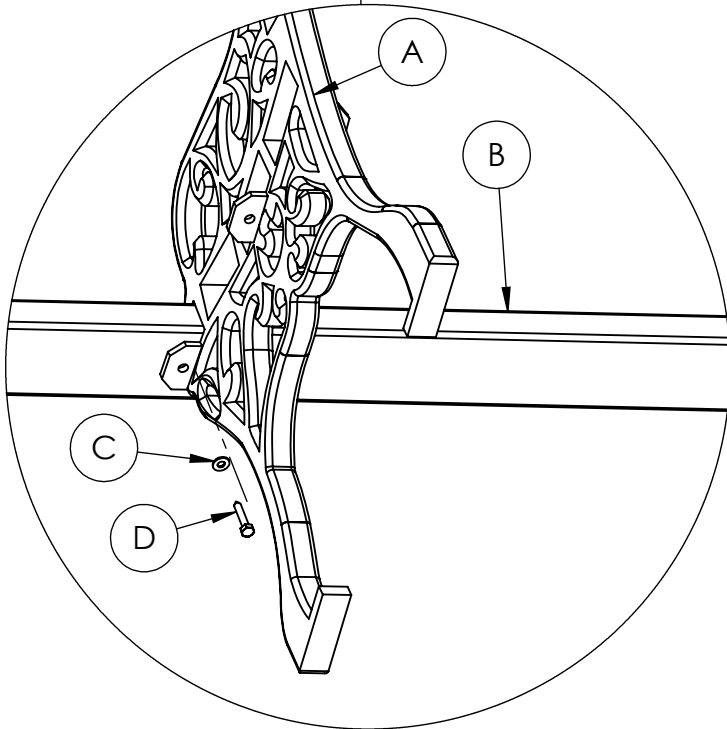
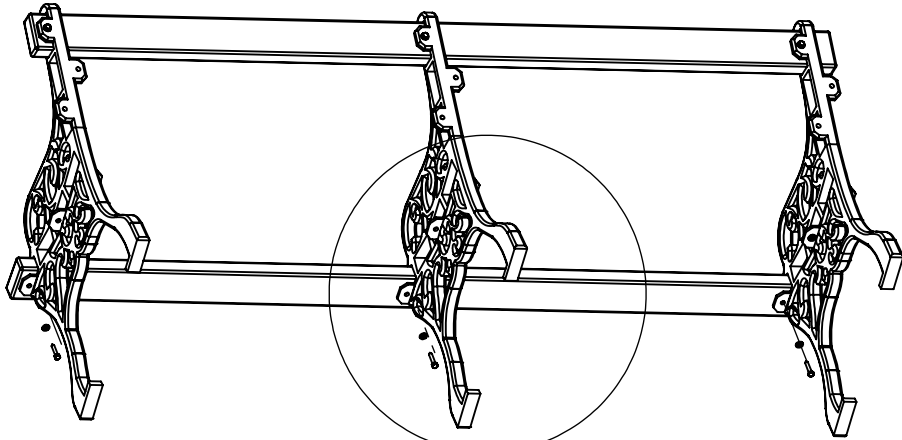
## BC1190



# 6FT BENCH INSTRUCTIONS BC1190



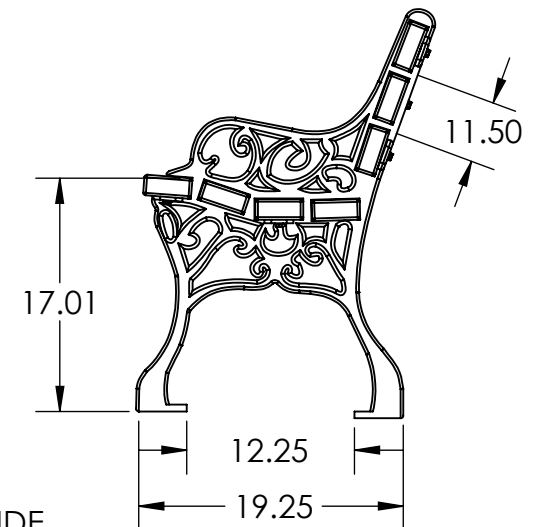
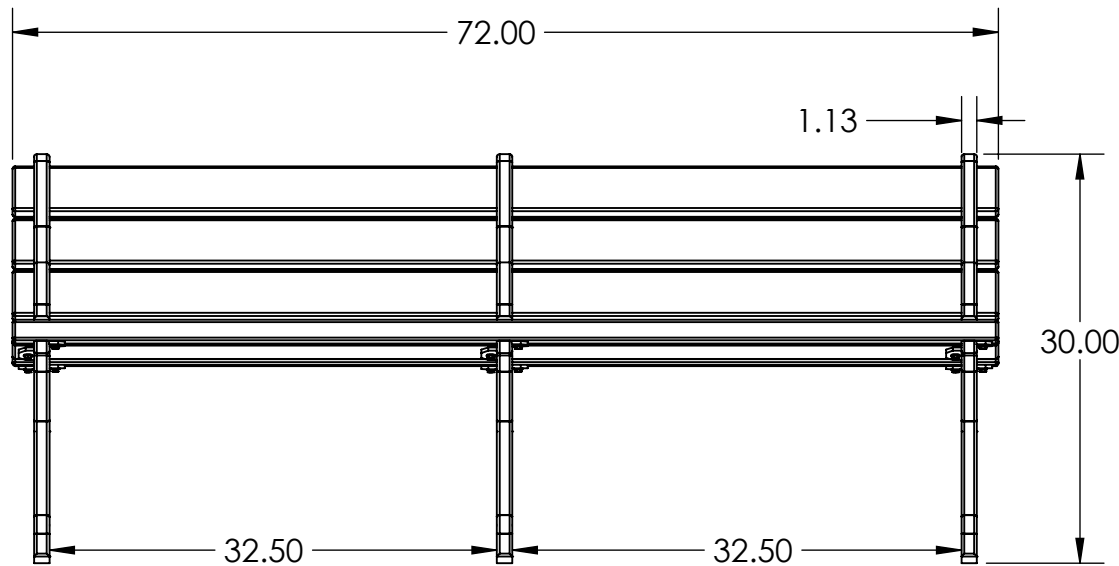
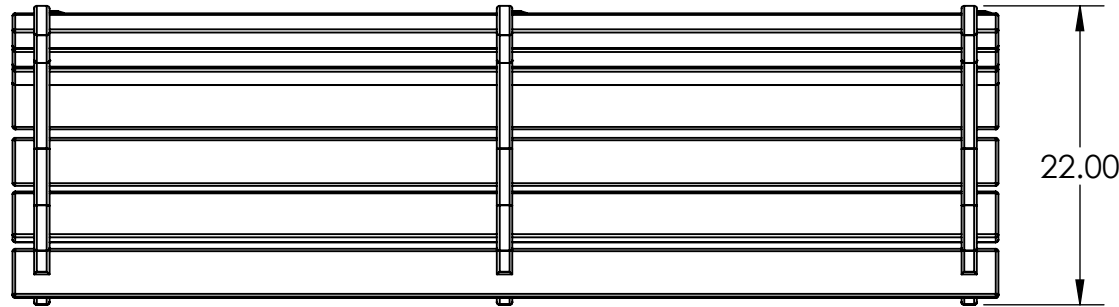
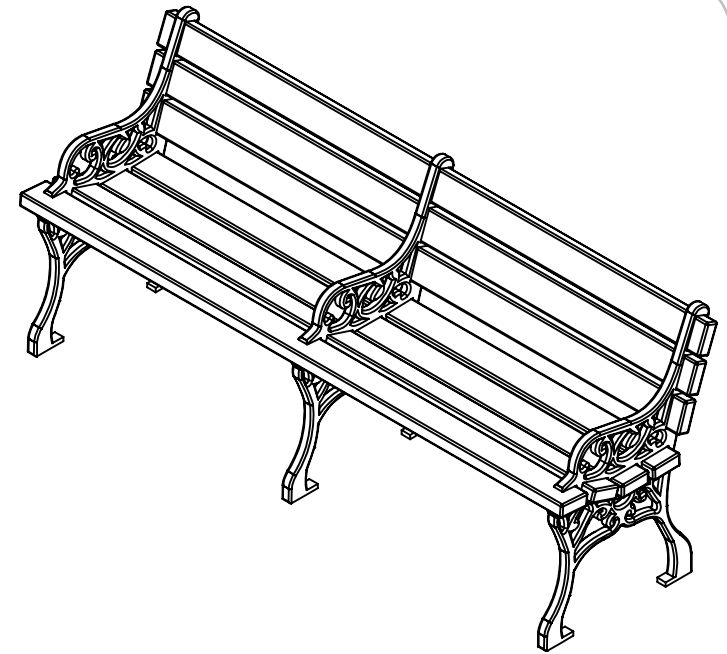
# 6FT BENCH INSTRUCTIONS BC1190



**SQUARE ALL PARTS AND TIGHTEN ALL  
HARDWARE. DO NOT OVER TIGHTEN.**

# 6ft Bench Specifications BC1190

REV# 3  
1/12/2018



**CONSTRUCTION MATERIALS:**  
Recycled Plastic, Cast Aluminum  
**HARDWARE:**  
Stainless Steel

BENCH SLATS ARE 1.5 INCHES THICK BY 3.5 INCHES WIDE

ALL DIMENSIONS SHOWN IN INCHES