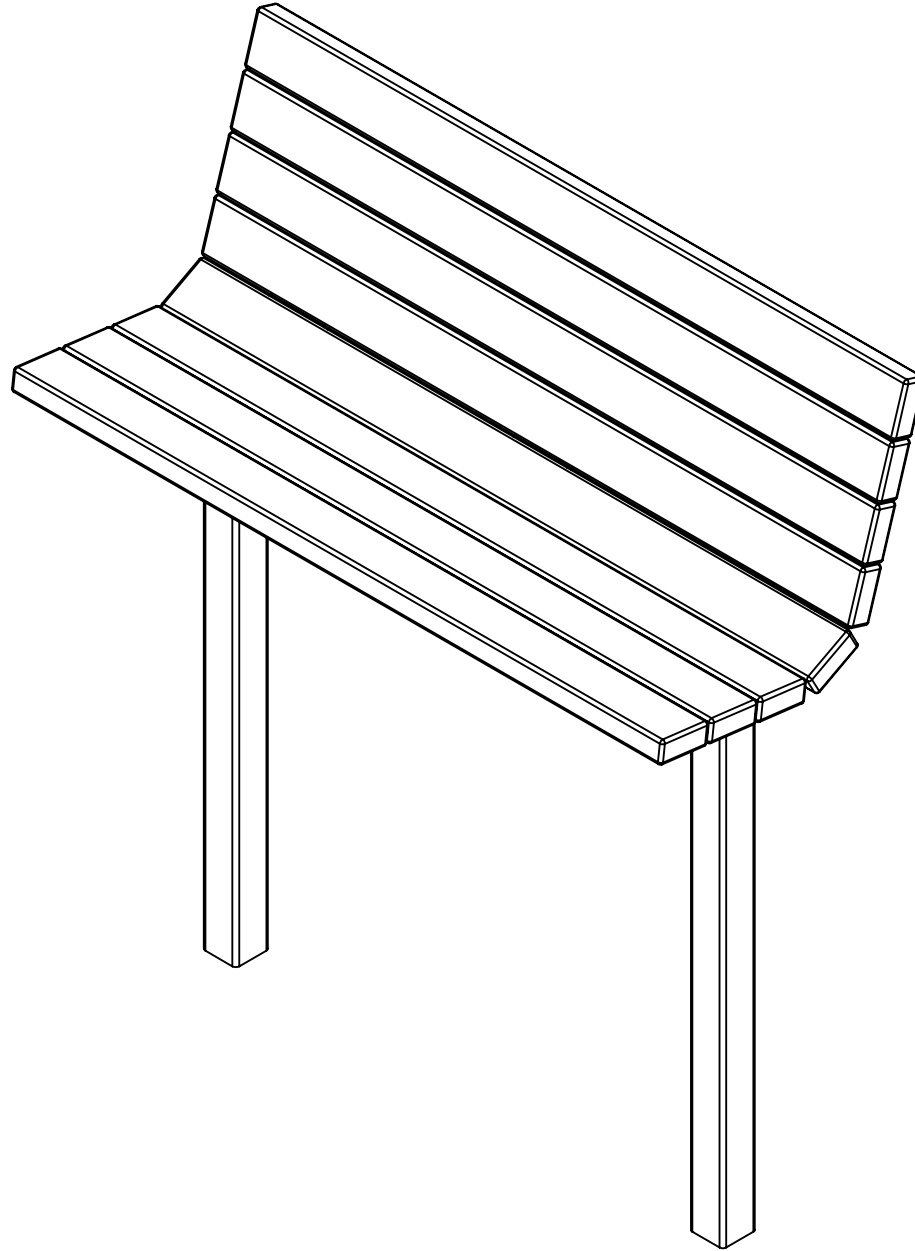
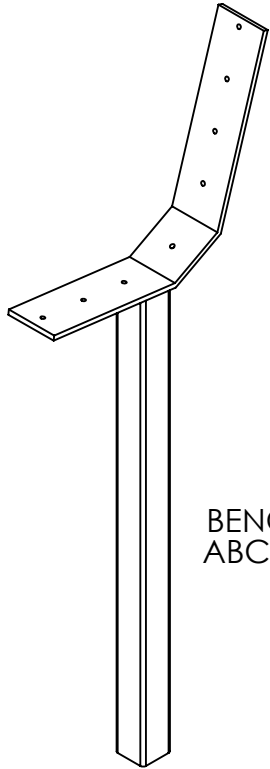


BENCH INSTRUCTIONS

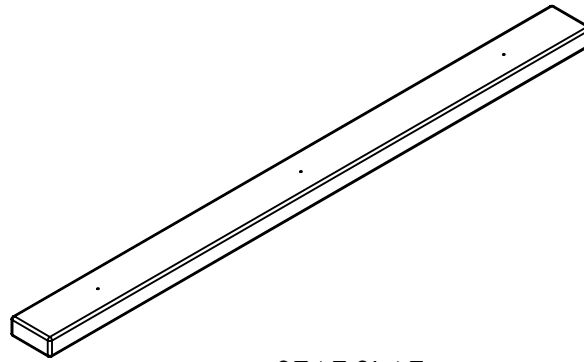
ABC1265 REV# 2 7-15-2016
ABC1266
ABC1267
ABC1268



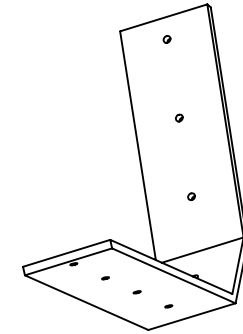
BENCH INSTRUCTIONS



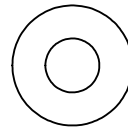
BENCH END
ABC-SS11020
X2



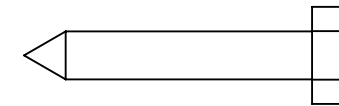
SEAT SLAT
ABC-P0123
X8



SEAT BRACKET
ABC-SS11001
X1



1/4" FLAT WASHER
X24
F0001



1/4" X 1.50" LAG SCREW
X24
F0002

REQUIRED TOOLS:

- (1) SCREW GUN
- (1) 7/16" SOCKET
- (1) 8" - 10" POST HOLE DIGGER
- (1) LEVEL

REQUIRED MATERIALS:

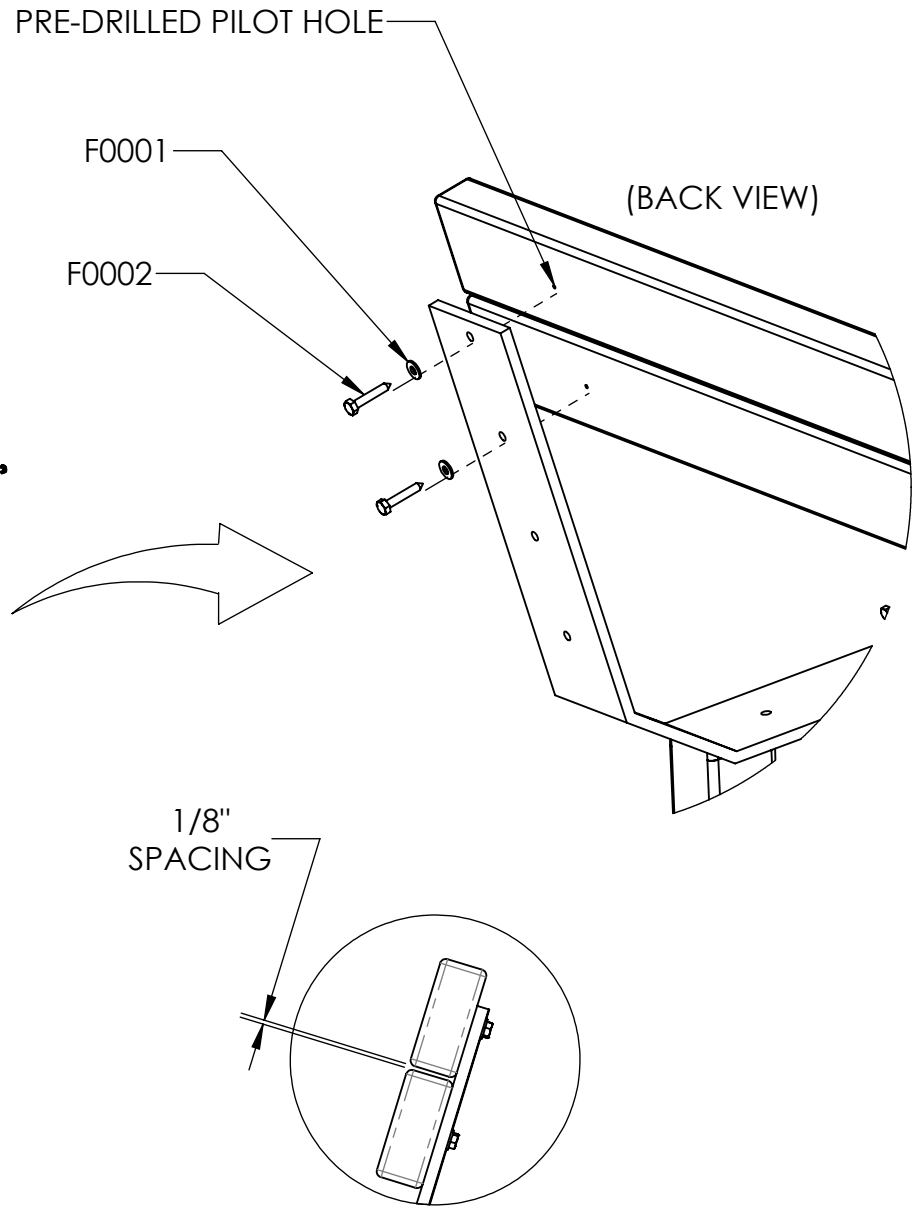
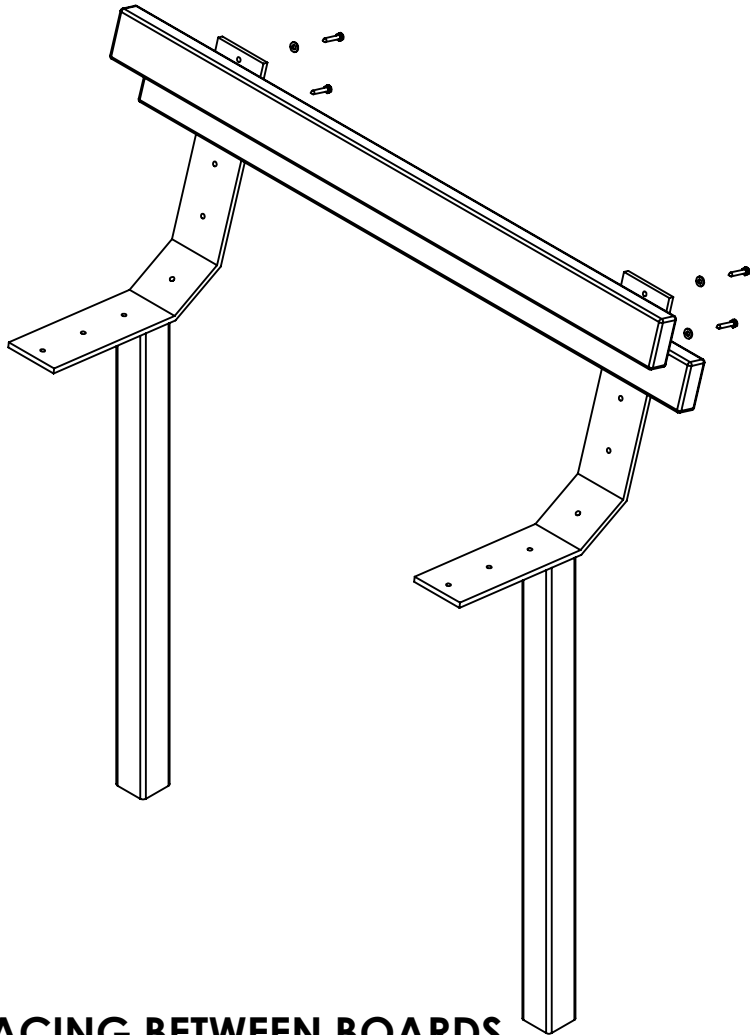
- READY-TO-MIX CONCRETE
- LOOSE GRAVEL
- WIRE & BRACING MATERIAL

BEFORE INSTALLING BENCH, PLEASE CHECK LOCAL CODES TO ENSURE PROPER INSTALLATION. THESE INSTRUCTIONS ARE A GENERAL GUIDELINE ON HOW TO INSTALL A BENCH. IF UNSURE ON HOW TO INSTALL, PLEASE CONTACT A PROFESSIONAL.

**INCLUDED HARDWARE &
REQUIRED TOOLS FOR
ASSEMBLY**

BENCH INSTRUCTIONS

1

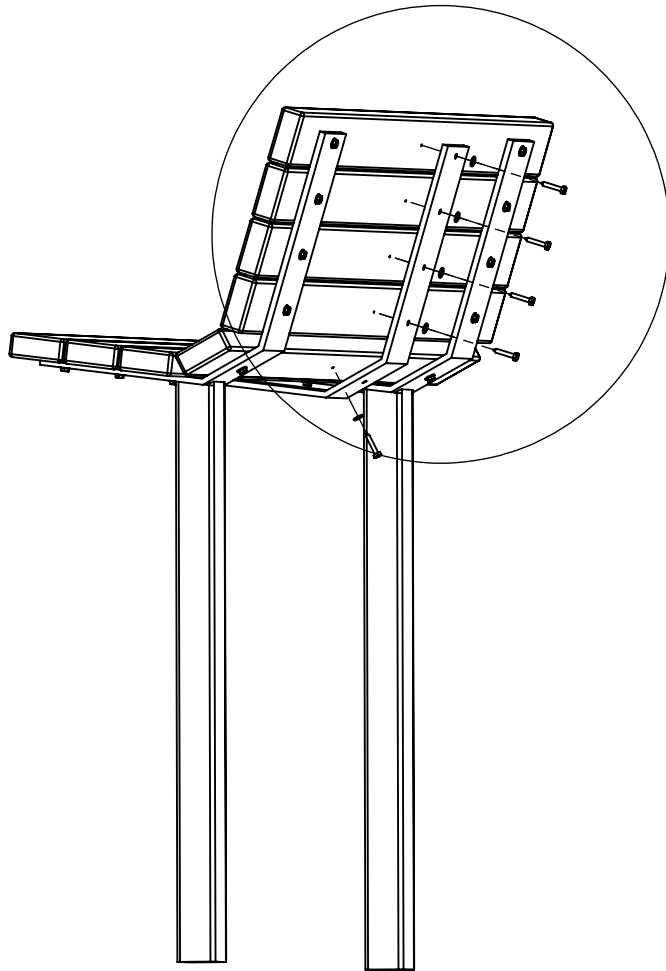


**KEEP SPACING BETWEEN BOARDS
APPROXIMATELY 1/8".**

**REPEAT STEPS FOR REMAINING SEAT
SLATS**

BENCH INSTRUCTIONS

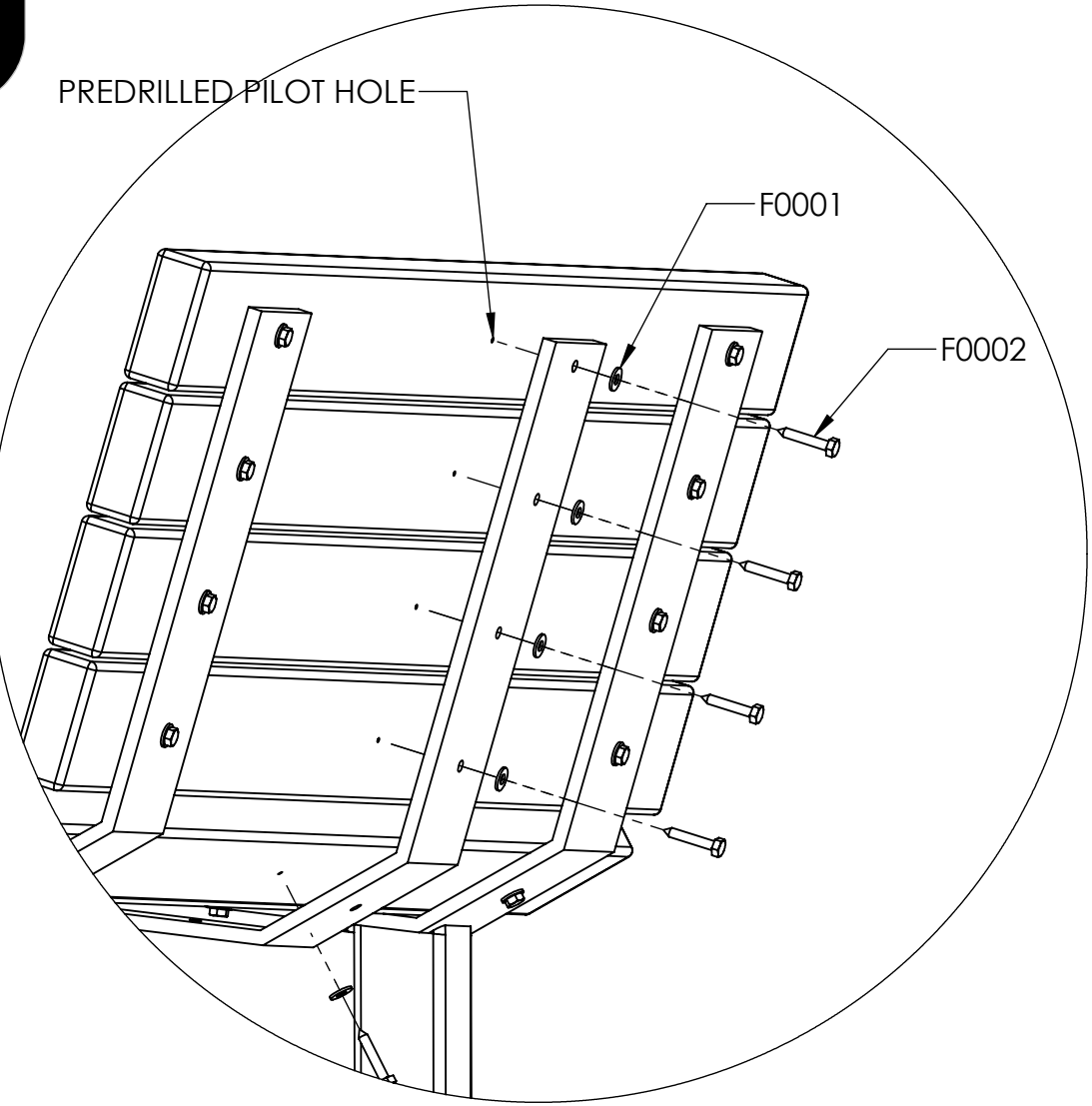
2



PREDRILLED PILOT HOLE

F0001

F0002



**KEEP SPACING BETWEEN BOARDS
APPROXIMATELY 1/8".**

BENCH INSTRUCTIONS

3

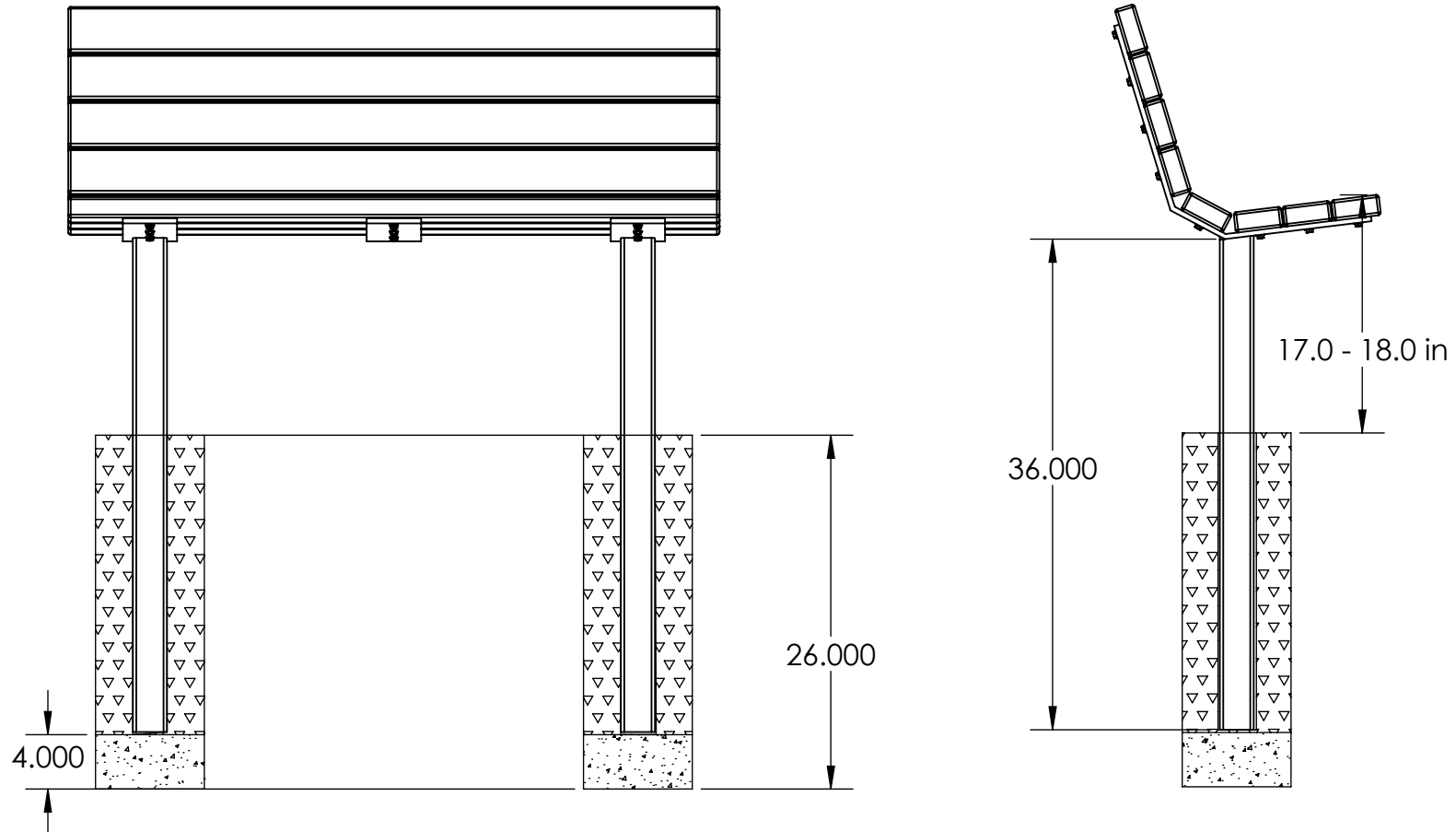
USING POST HOLE DIGGER, DIG TWO HOLES AS SHOWN BELOW. THEN, FILL IN EACH HOLE WITH APPROXIMATELY 4" OF LOOSE GRAVEL.



BEFORE INSTALLING BENCH, PLEASE CHECK LOCAL CODES TO ENSURE PROPER INSTALLATION. THESE INSTRUCTIONS ARE A GENERAL GUIDELINE ON HOW TO INSTALL A BENCH. IF UNSURE ON HOW TO INSTALL, PLEASE CONTACT A PROFESSIONAL.

BENCH INSTRUCTIONS

- 4** CAREFULLY, PLACE THE BENCH INTO HOLES. CENTER EACH POST IN EACH HOLE AND LEVEL BENCH. ALSO, BE SURE TO CHECK SEAT HEIGHT TO ENSURE COMFORTABLE SEATING. SECURE PLACEMENT OF BENCH WITH BRACING MATERIALS AND FILL IN HOLES WITH READY-TO-MIX CONCRETE. ALLOW TO DRY AND REMOVE BRACING MATERIALS.

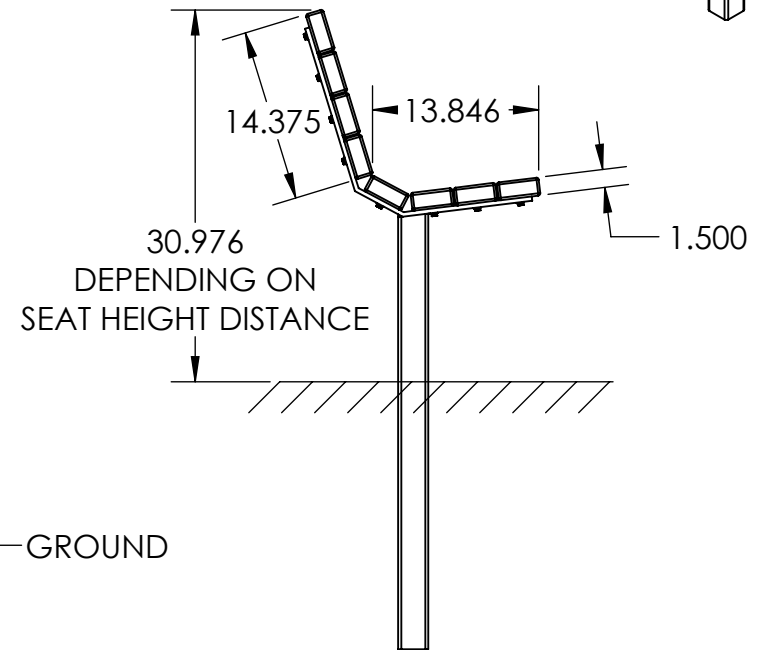
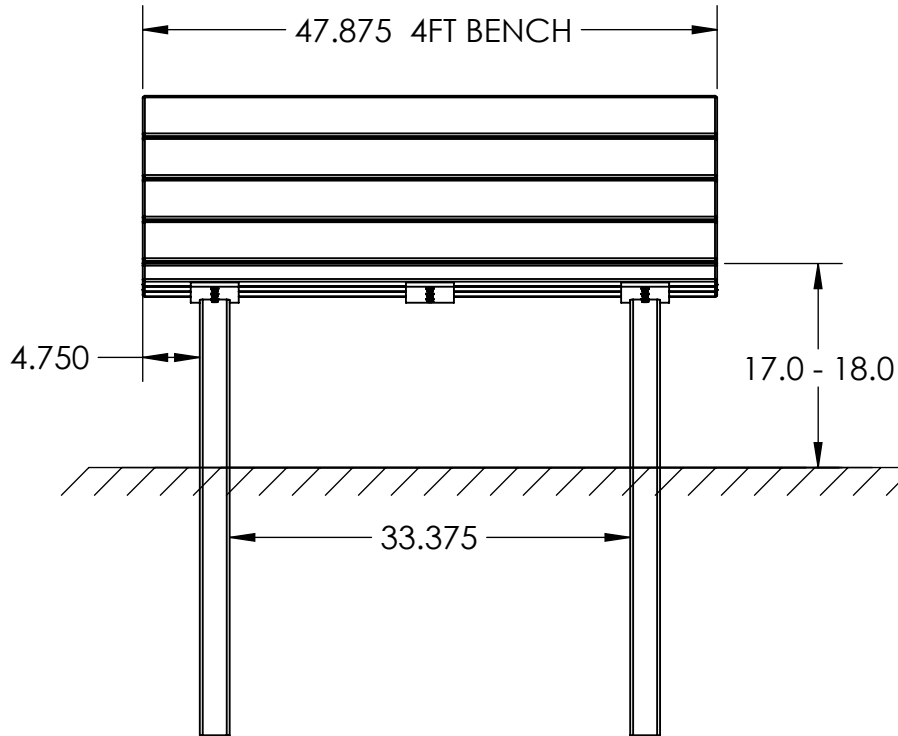
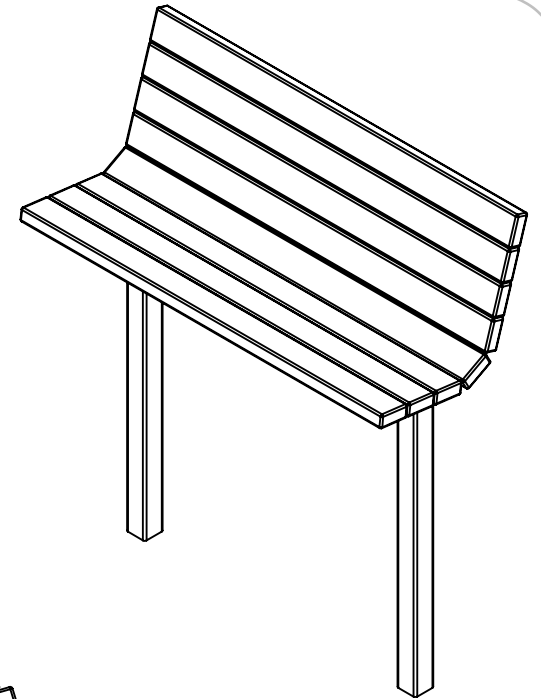
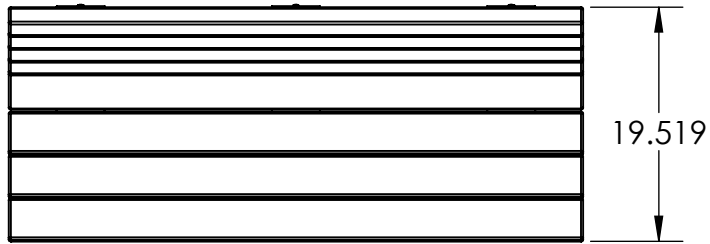


BEFORE INSTALLING BENCH, PLEASE CHECK LOCAL CODES TO ENSURE PROPER INSTALLATION. THESE INSTRUCTIONS ARE A GENERAL GUIDELINE ON HOW TO INSTALL A BENCH. IF UNSURE ON HOW TO INSTALL, PLEASE CONTACT A PROFESSIONAL.

BENCH SPECIFICATIONS

ABC1265
ABC1266
ABC1267
ABC1268

TOP VIEW



SET POSTS 24 TO 26 INCHES INTO GROUND

ALL DIMENSIONS SHOWN IN INCHES

CONSTRUCTION MATERIALS:
Recycled Plastic, Powder Coated Steel
HARDWARE:
Stainless Steel