

TABLE INSTRUCTIONS

CF1255 REV# 2
7-12-2017

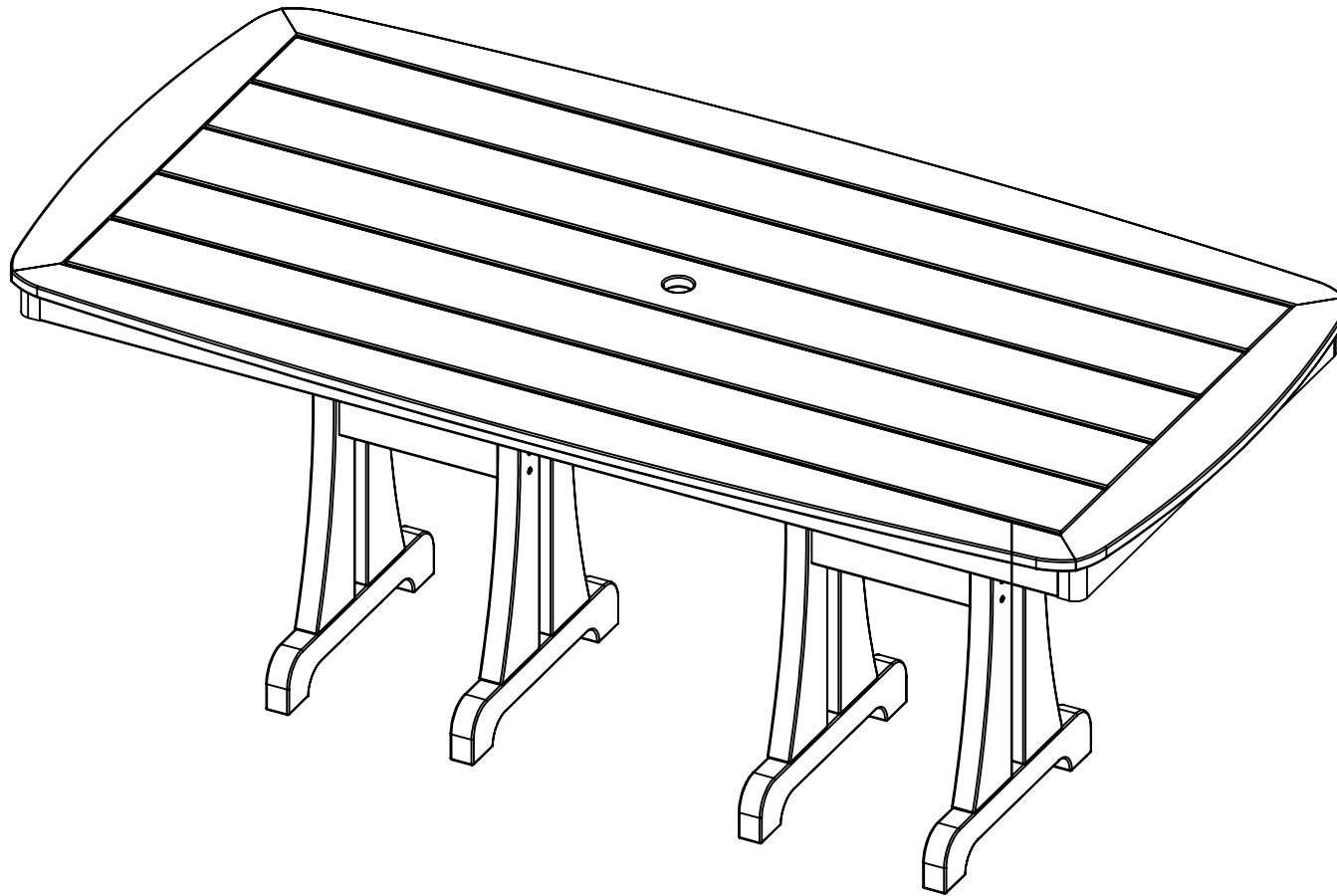
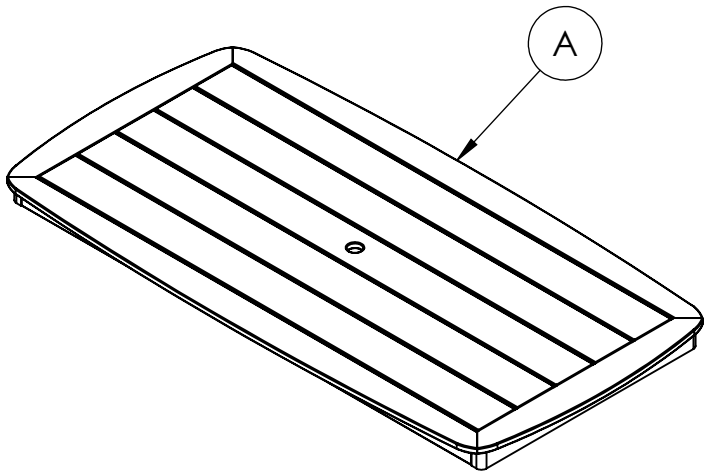
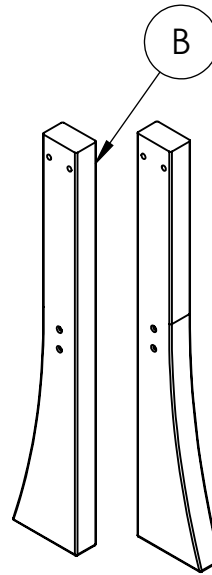


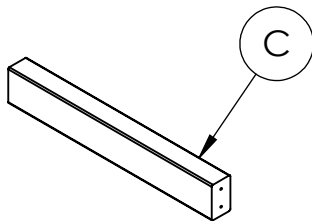
TABLE INSTRUCTIONS



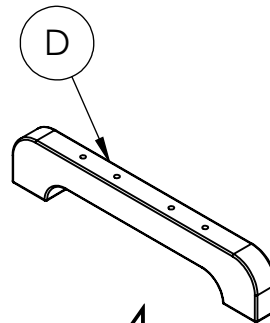
1
Table Top Assembly



8
Table Legs



4
Cross Braces

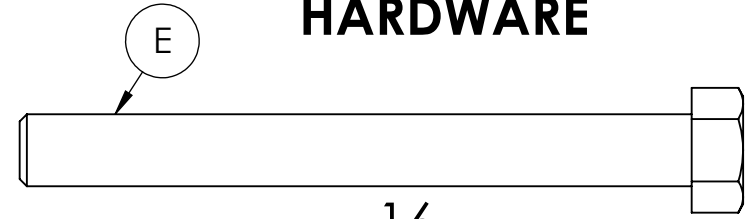


4
Table Foot

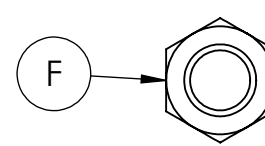
REQUIRED TOOLS (NOT INCLUDED)

- POWER DRILL
- #2 SQUARE DRIVE
- (2) 9/16 WRENCH OR SOCKET
- 7/16" SOCKET

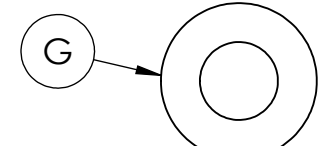
HARDWARE



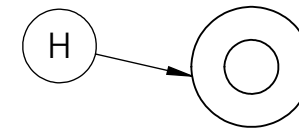
16
3/8" x 3.5" Hex Head Bolts



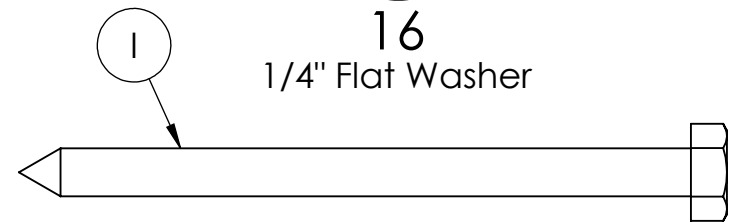
16
3/8" Hex Nuts



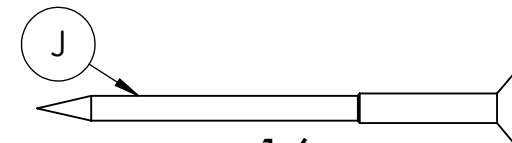
32
3/8" Flat Washer



16
1/4" Flat Washer



16
1/4" x 3.5" Hex Lag



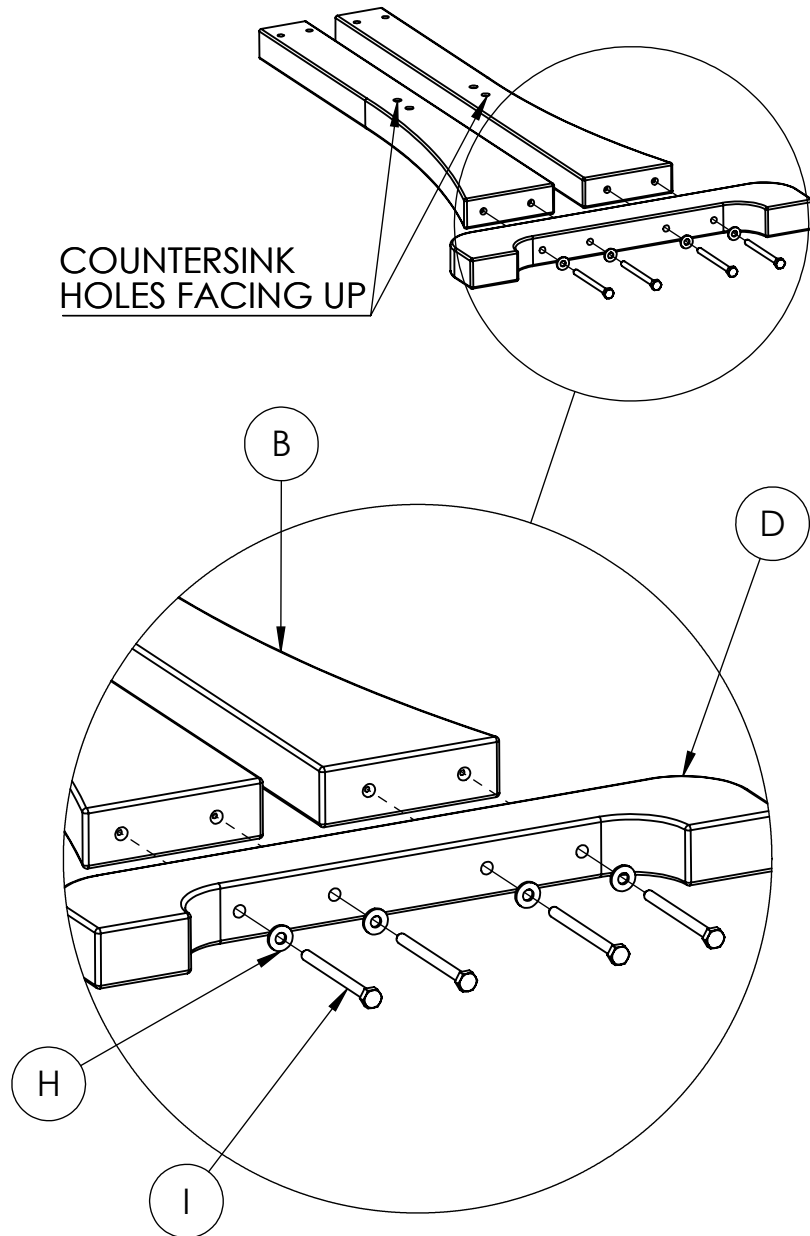
16
#10 x 2.5 Flat Head Screw

**HARDWARE &
TOOLS REQUIRED
FOR ASSEMBLY**

2/5

TABLE INSTRUCTIONS

STEP 1



STEP 2

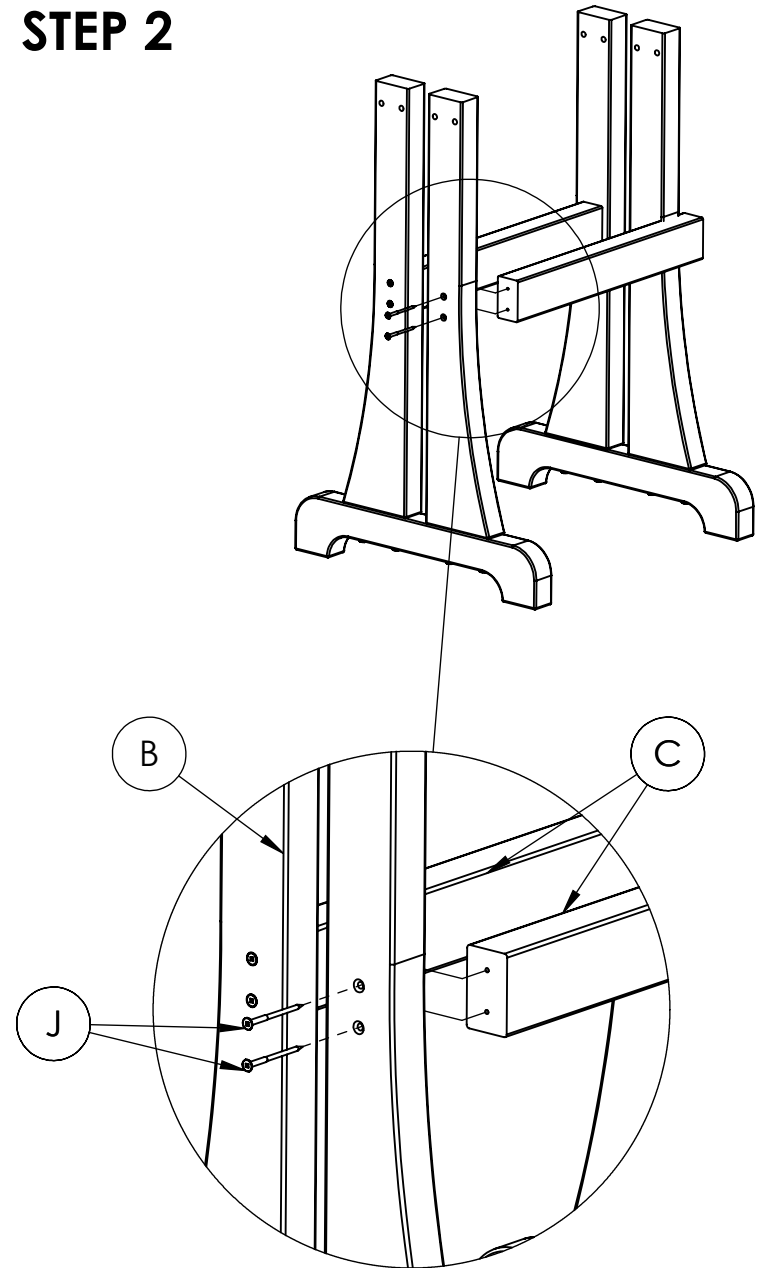


TABLE INSTRUCTIONS

STEP 3

- Attach leg assembly with table upside down - **leave bolts loose**.
- Flip table right side up then fully tighten all bolts.

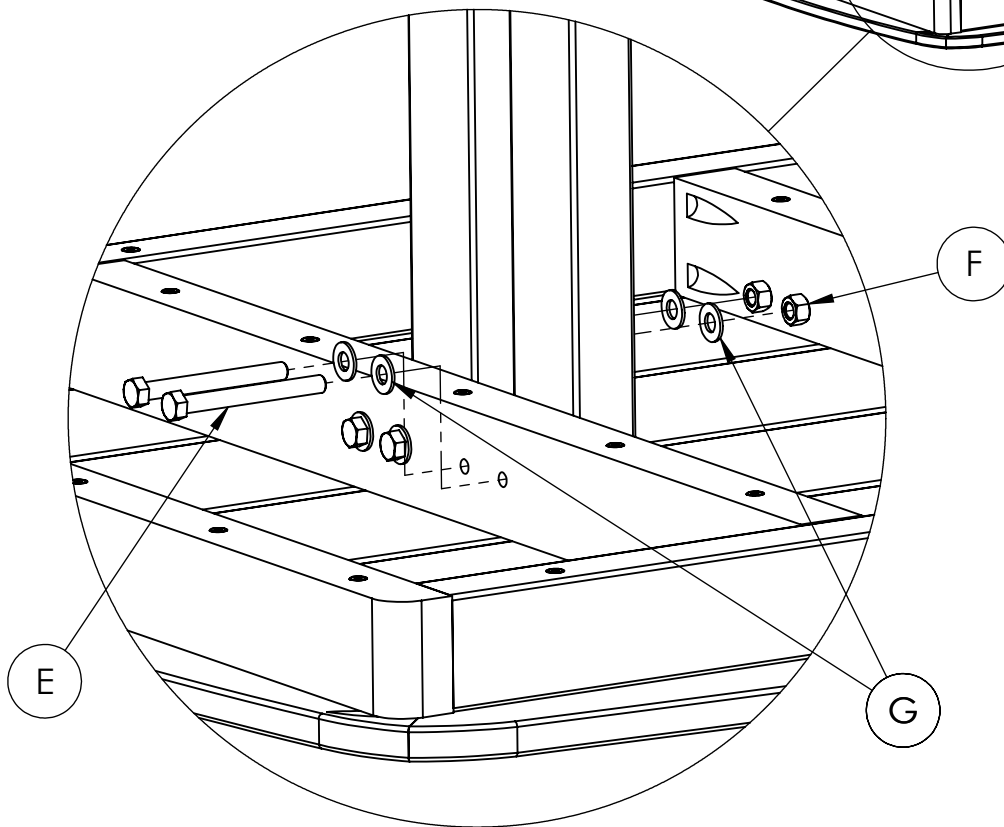
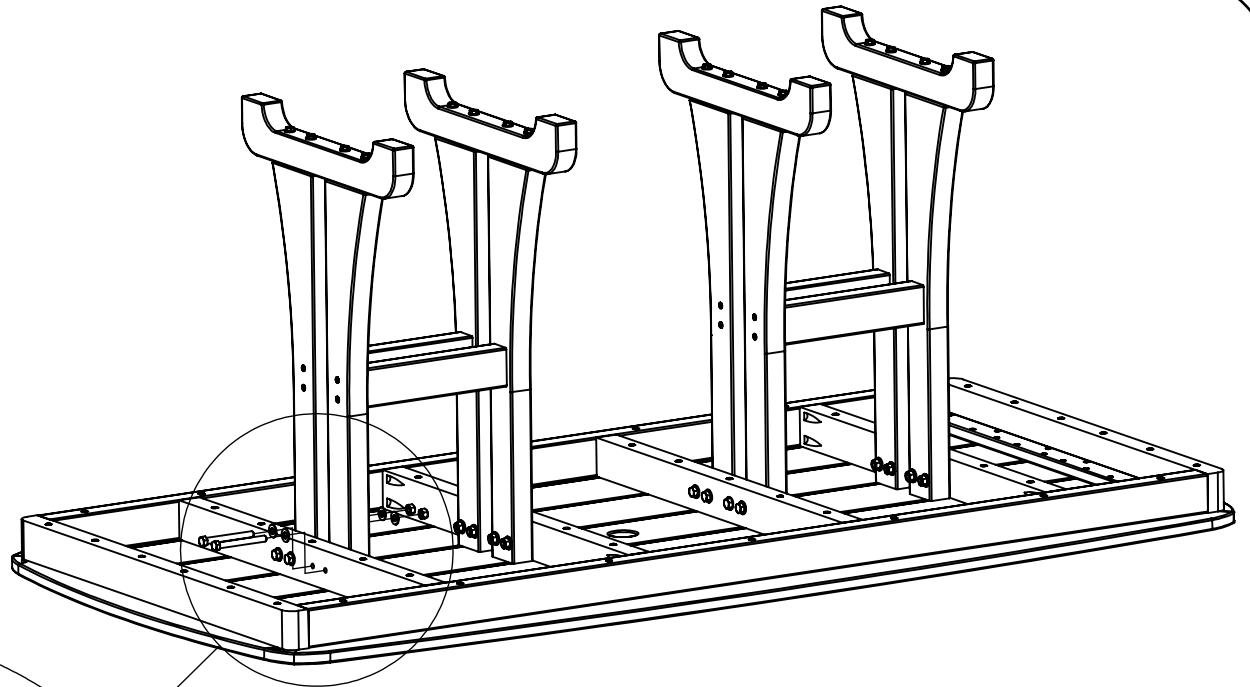
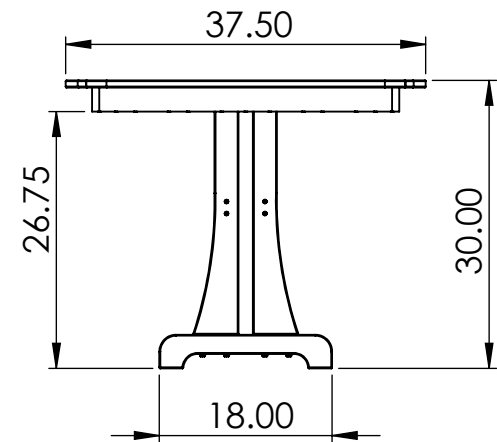
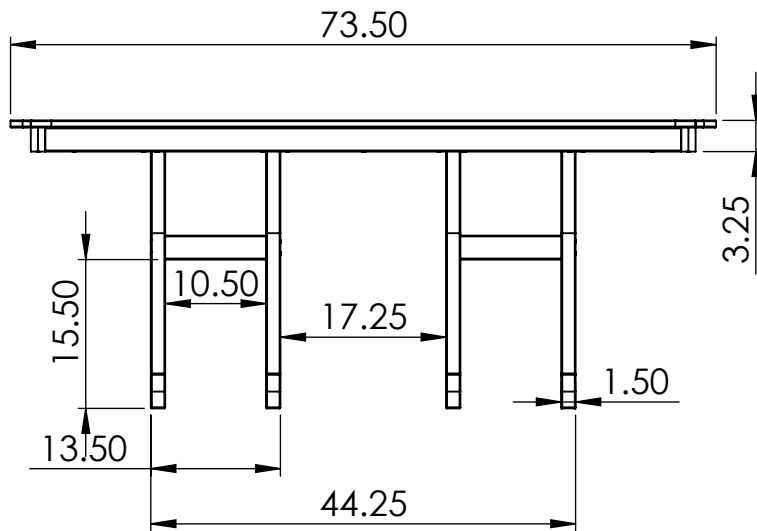
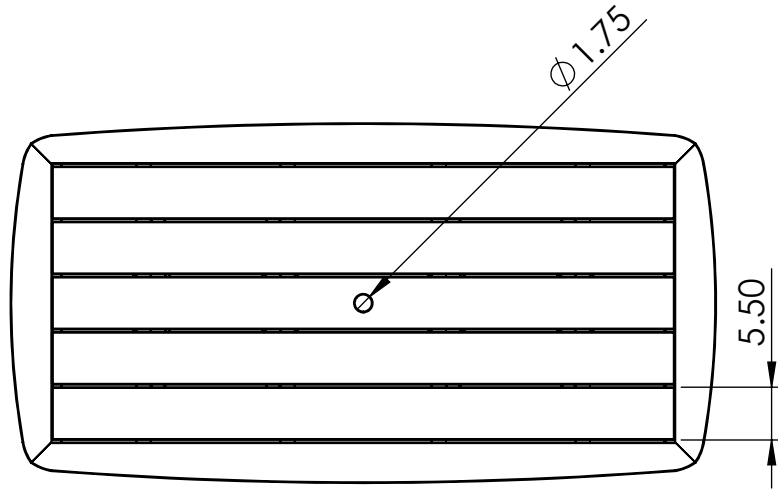
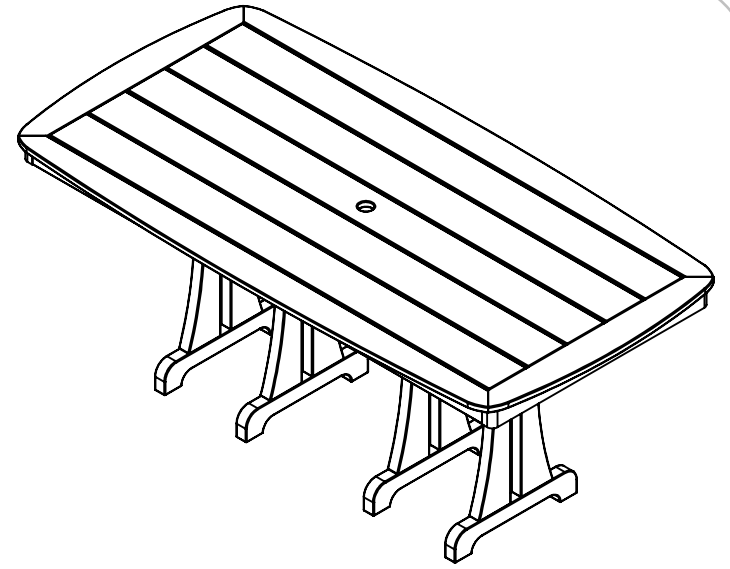


TABLE SPECIFICATIONS

CF1255 REV# 2
7-12-2017



CONSTRUCTION MATERIALS:
Recycled Plastic
HARDWARE:
Stainless Steel

ALL DIMENSIONS SHOWN IN INCHES