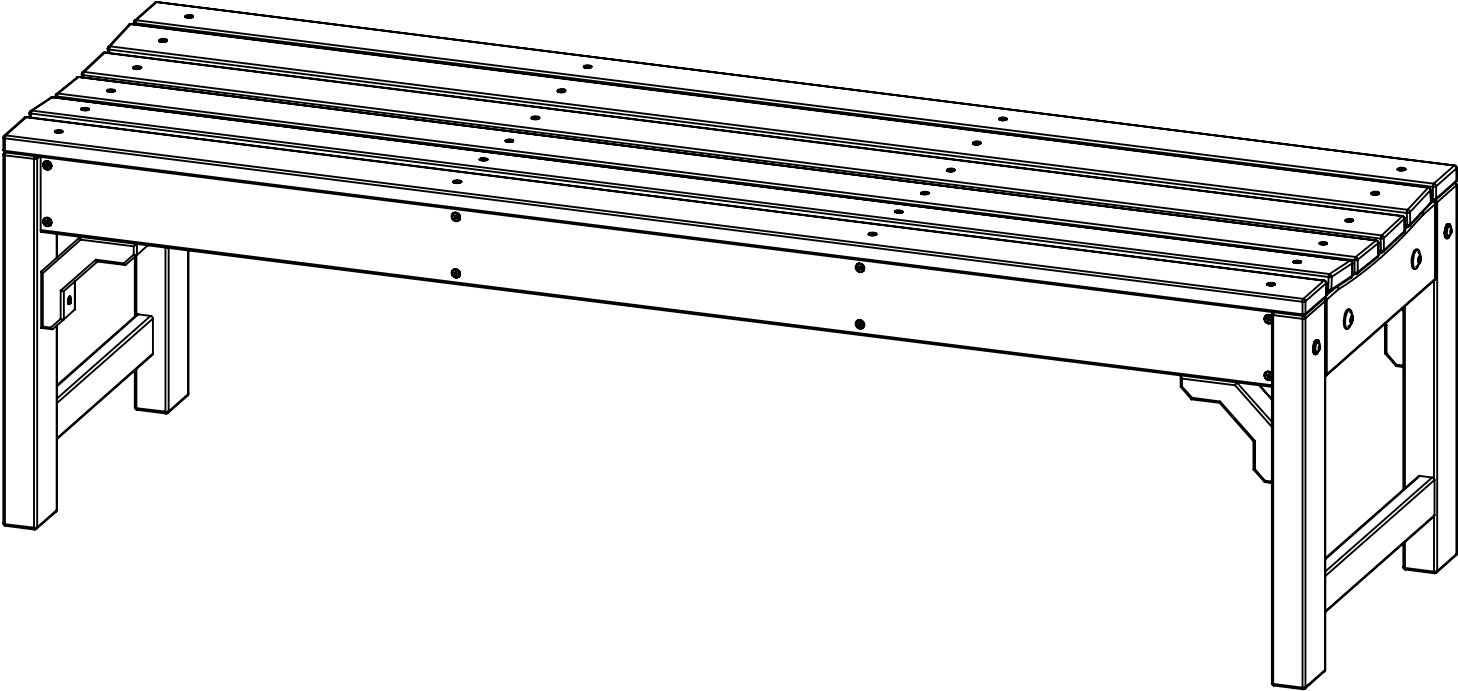
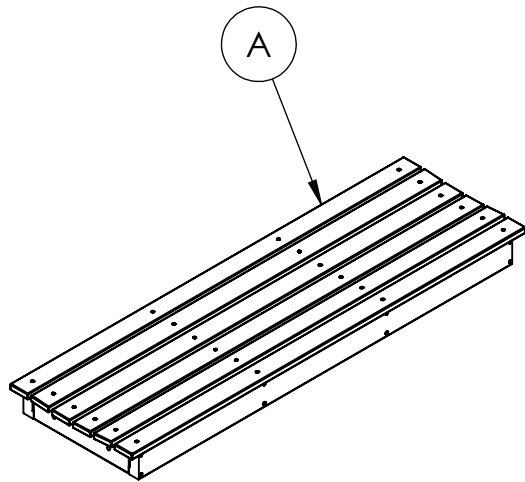


# BENCH INSTRUCTIONS

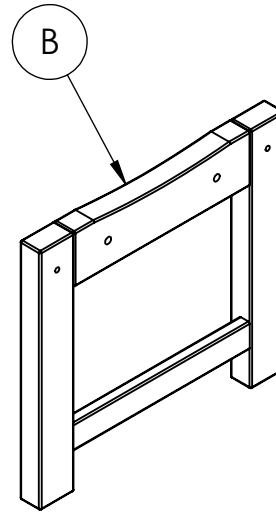
CF1005 REV# 2



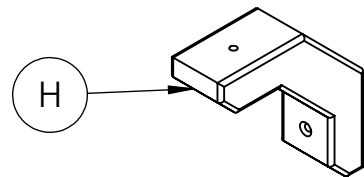
# BENCH INSTRUCTIONS



1  
Seat Assembly



2  
Leg Assembly



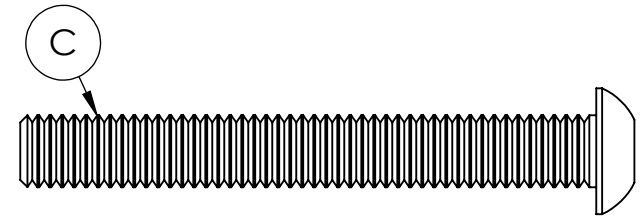
4  
ANGLED GUSSETS

## REQUIRED TOOLS (NOT INCLUDED)

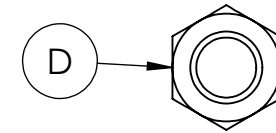
- POWER DRILL
- 7/32 ALLEN WRENCH
- 9/16 WRENCH
- #2 SQUARE DRIVE

**NOTE: IT IS IMPORTANT TO KEEP ALL SCREWS LOOSE DURING ASSEMBLY UNTIL ENTIRE BENCH IS ASSEMBLED**

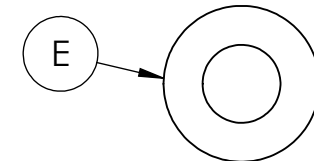
## HARDWARE



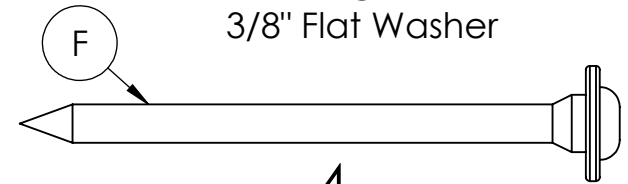
4  
3/8" x 3" Button Head Cap Screws



4  
3/8" Hex Nuts



8  
3/8" Flat Washer



4  
Truss Lag Screw



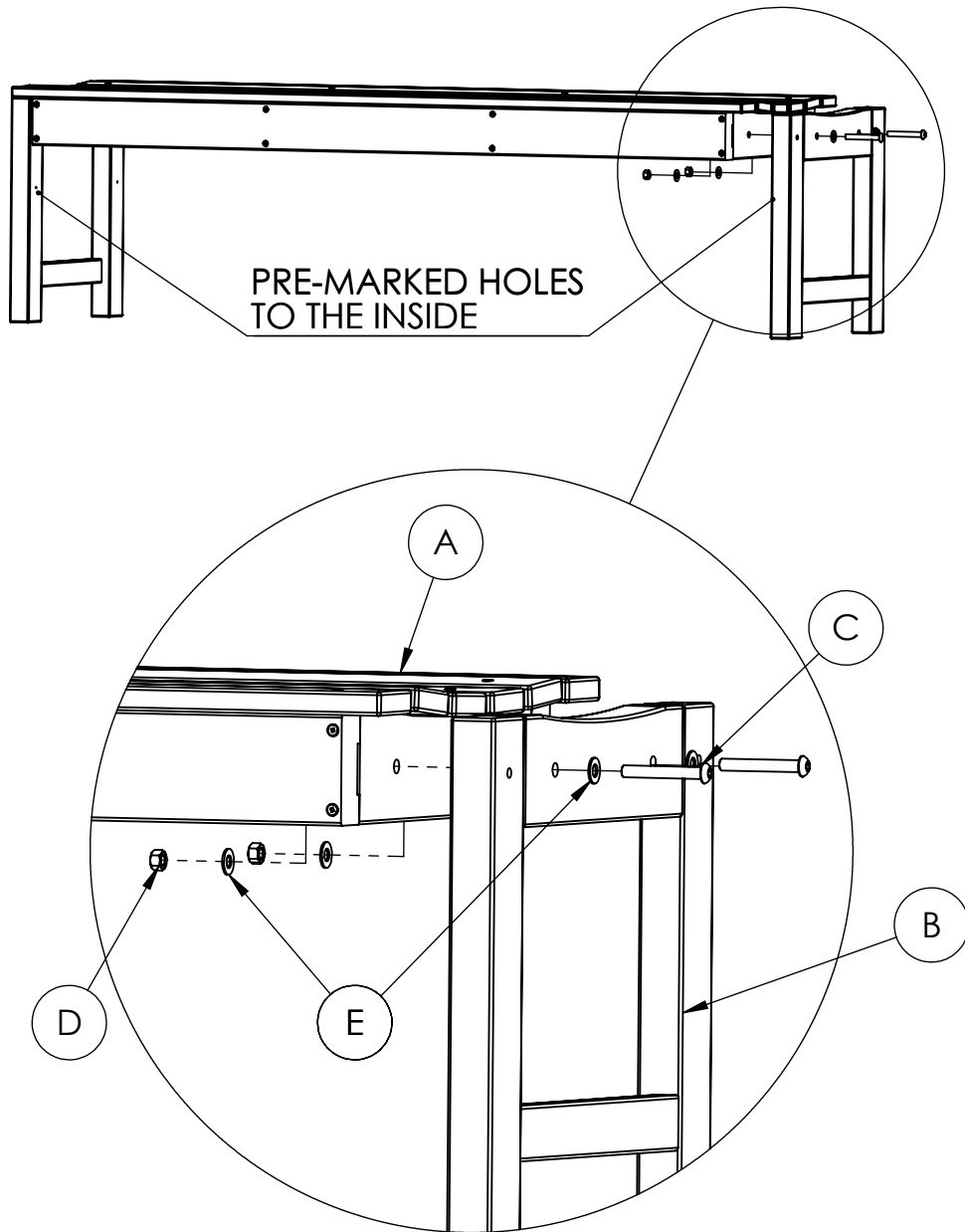
8  
#8 x 1.625" Flat Head Screw

**HARDWARE &  
TOOLS REQUIRED  
FOR ASSEMBLY**

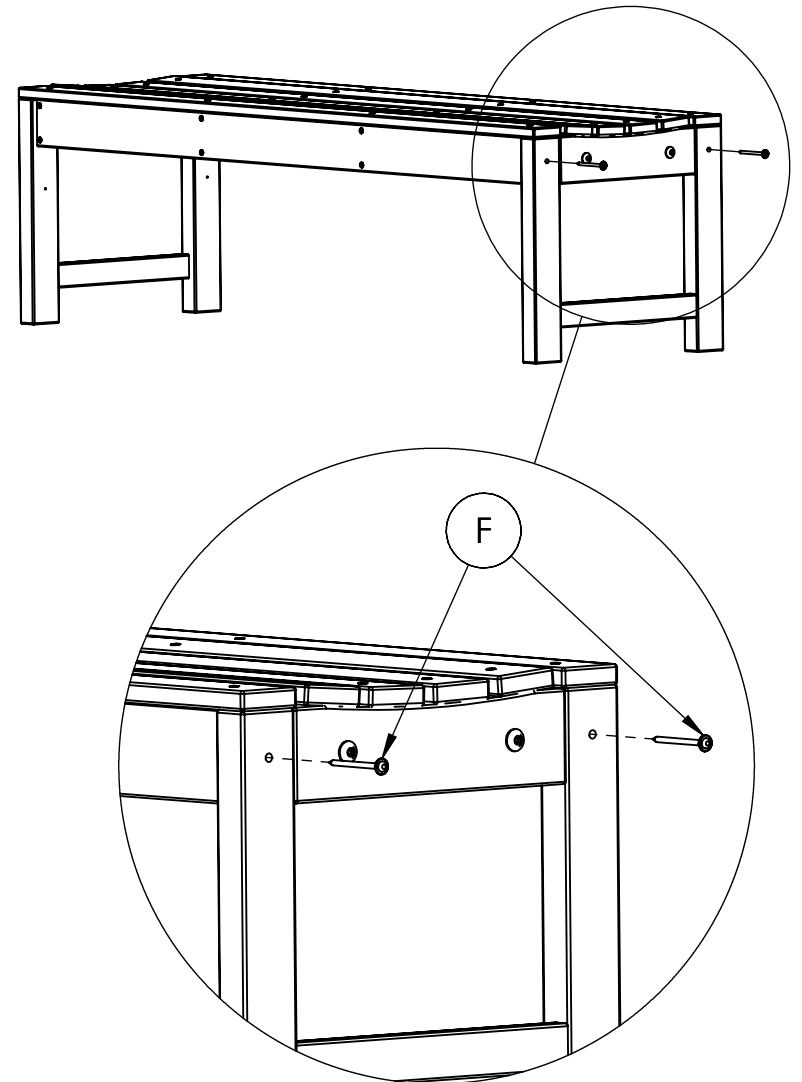
**2/5**

# BENCH INSTRUCTIONS

## STEP 1

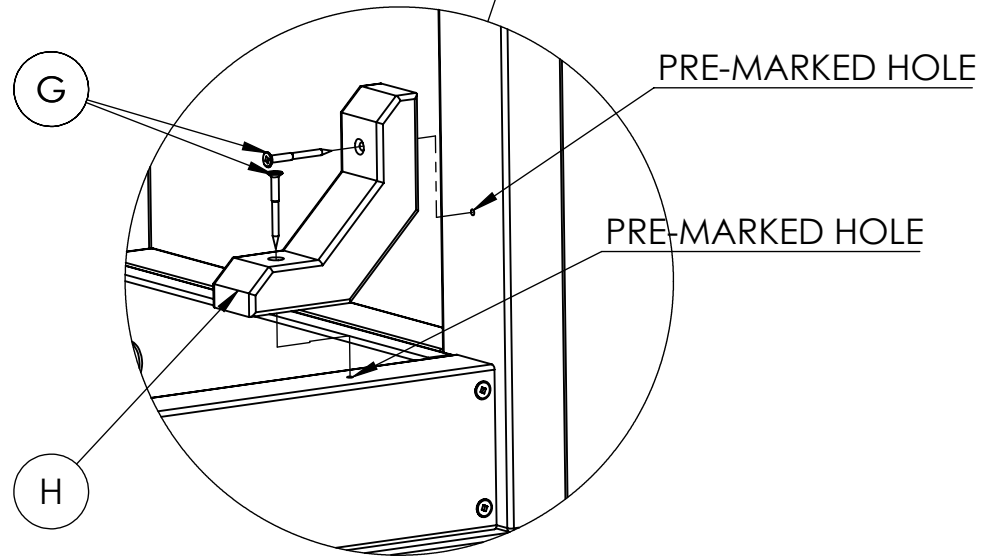
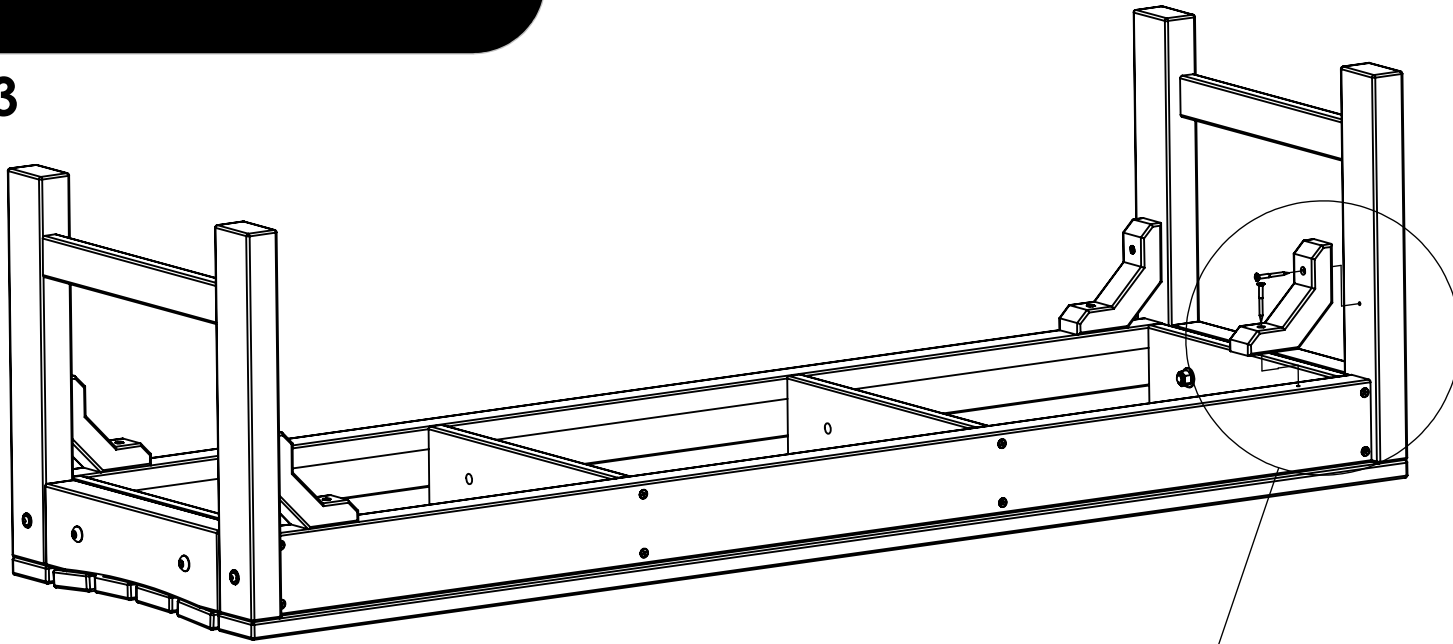


## STEP 2

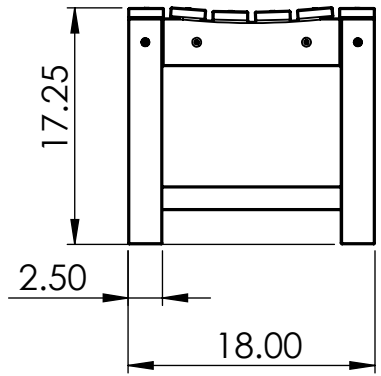
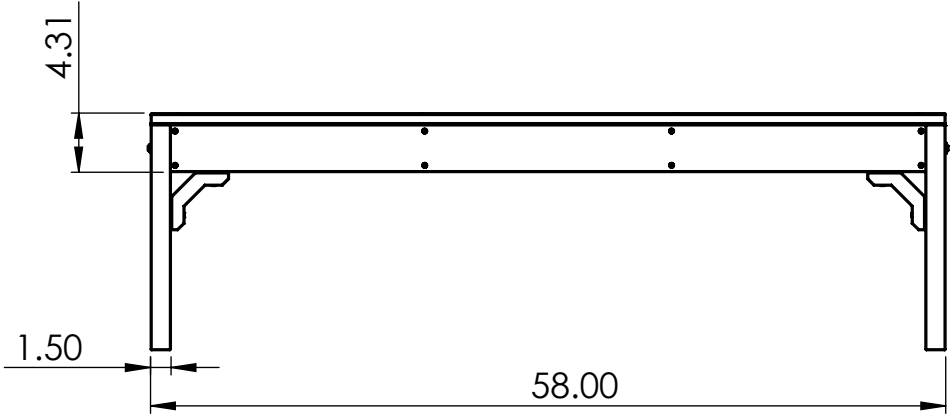
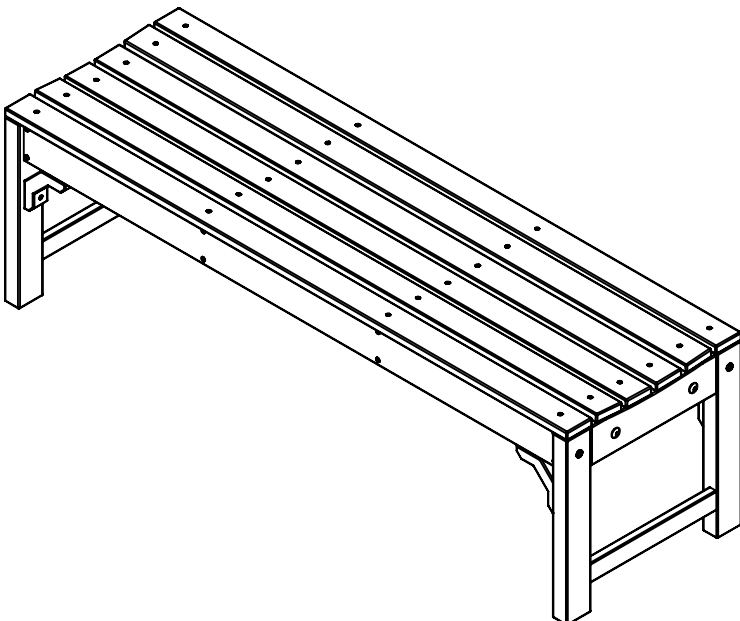
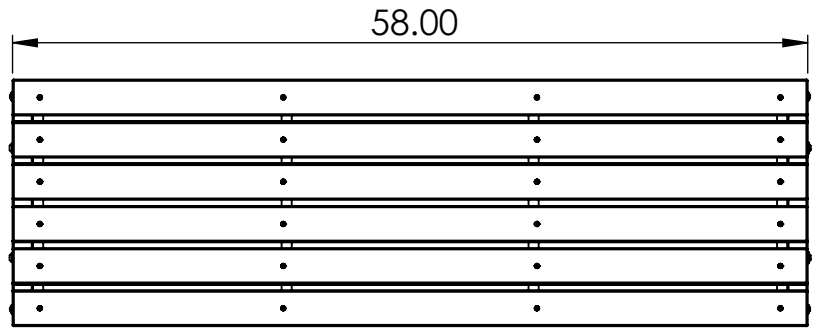


# BENCH INSTRUCTIONS

## STEP 3



# BENCH SPECIFICATIONS



**CONSTRUCTION MATERIALS:**  
Recycled Plastic  
**HARDWARE:**  
Stainless Steel

ALL DIMENSIONS SHOWN IN INCHES