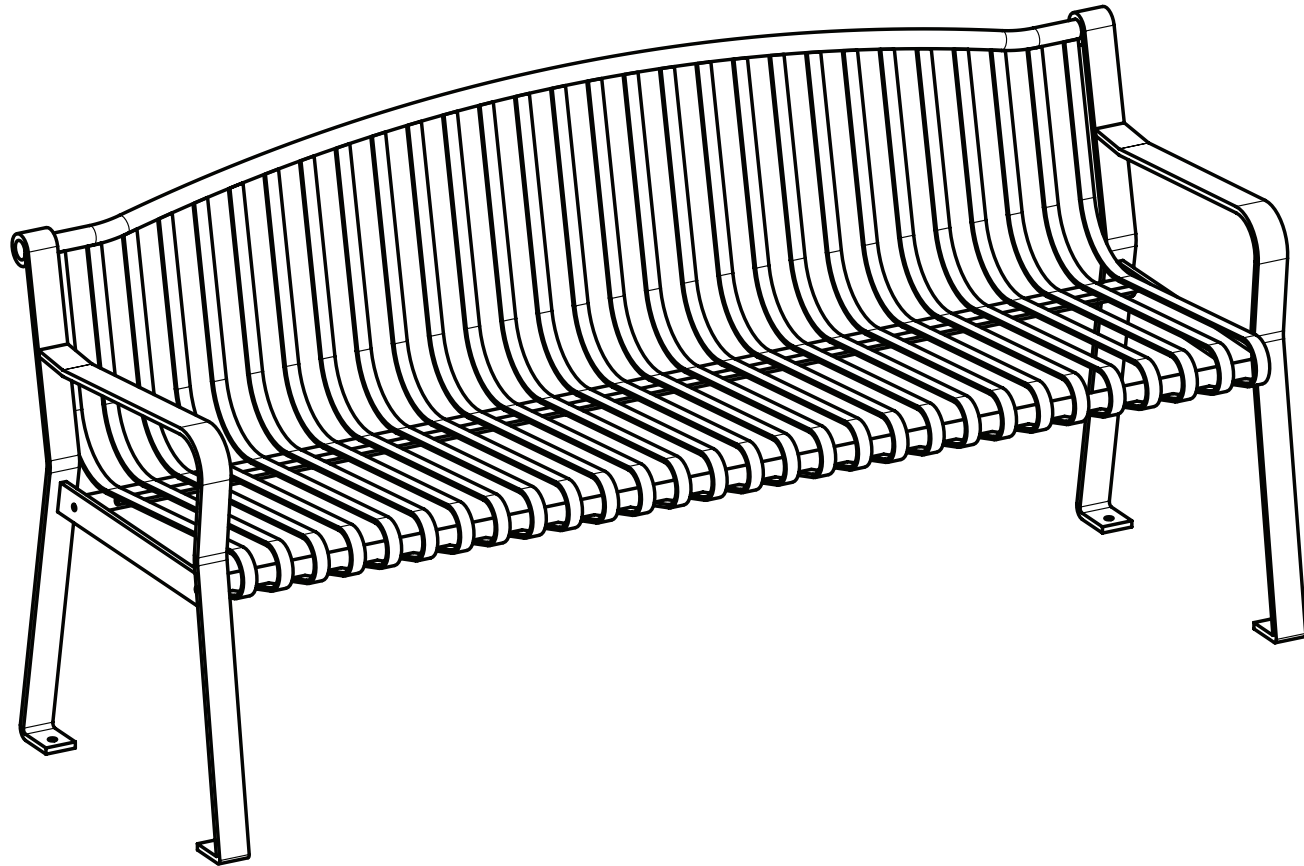


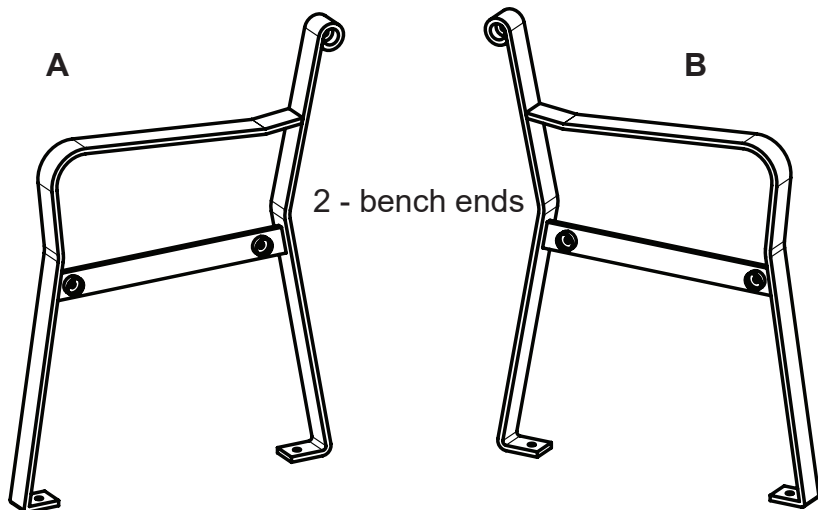
INSTRUCTIONS

Steel Slat Arched Back Park Bench



INSTRUCTIONS

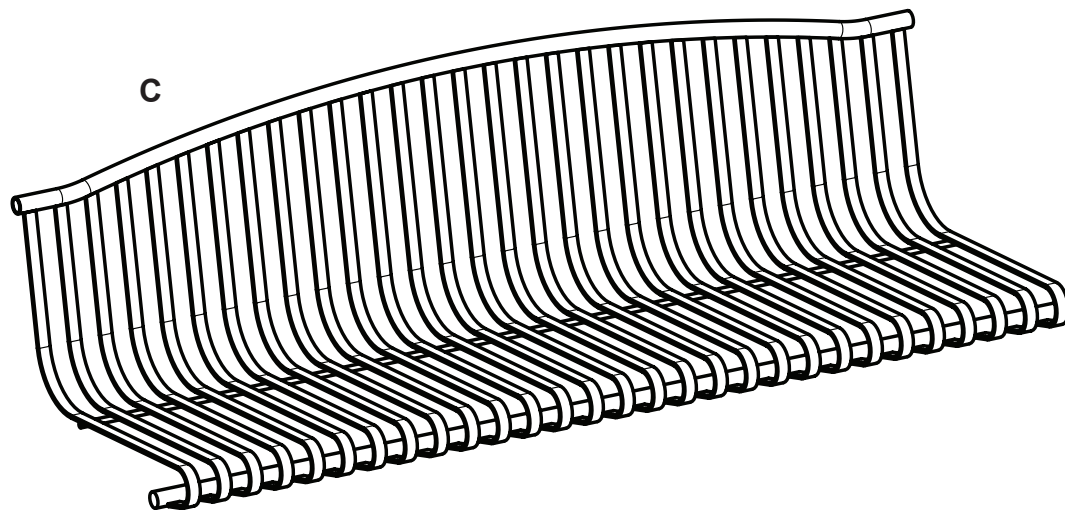
Before assembly, please make sure all components & hardware are included.



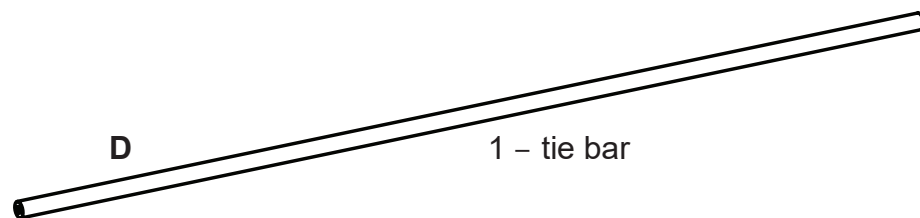
(1) Left end frame

(1) Right end frame

6 - 10mm x 28mm hex head bolts
6 - Washers
1 - Wrench



1 - seat assembly



1 - tie bar

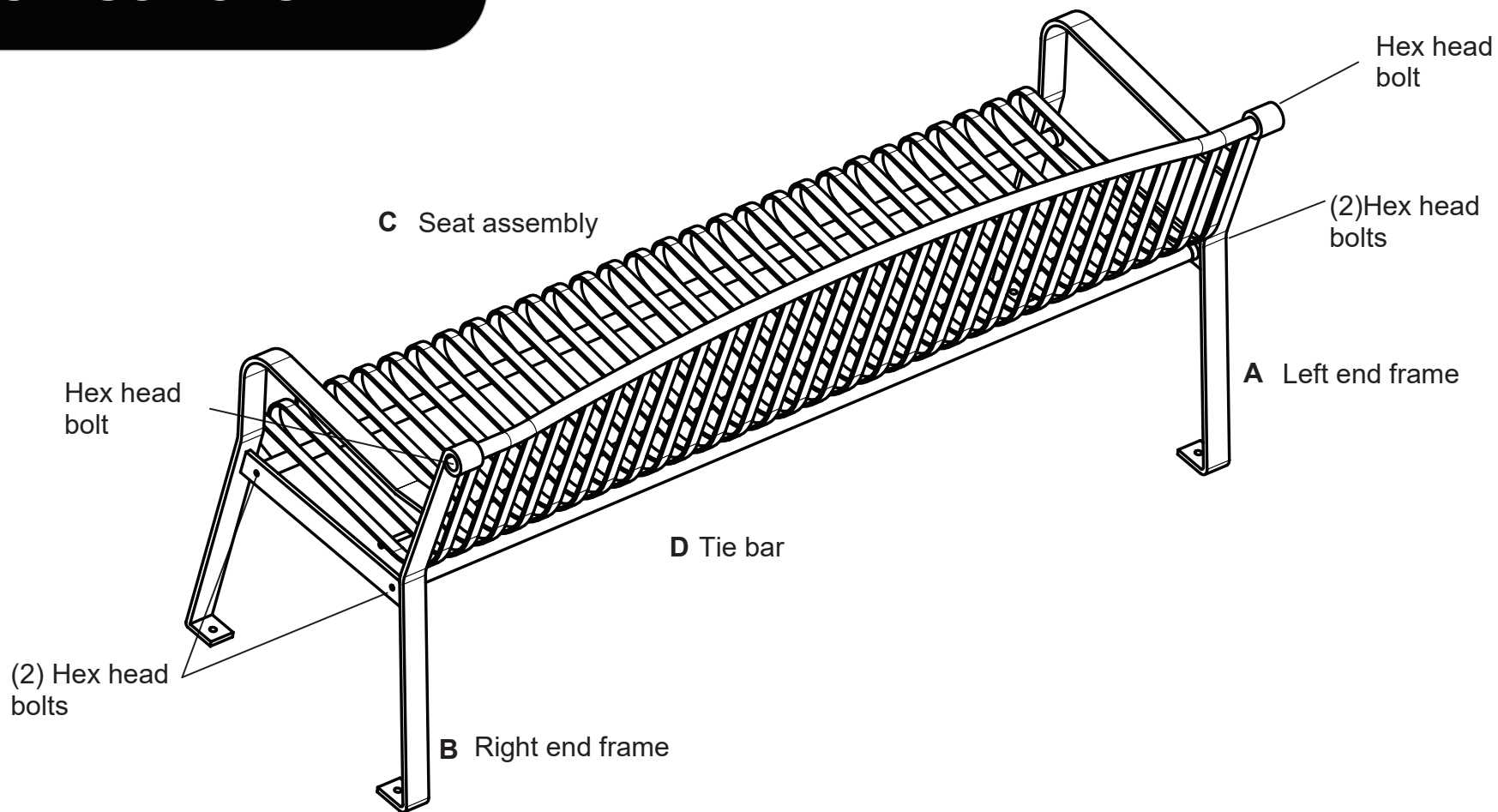
Step 1 Position the packing cardboard on a hard flat surface to form a protected work space. Place seat assembly (C) on the cardboard on its backside and attach end frame (A) to left side and (B) to right side of the seat assembly at the front using (1) 10mm x 28mm stainless steel hex head bolt and washer on each side.

Note: Do not tighten bolts completely. This will be done in a later step.

Step 2: Raise the seat assembly up to align the top holes and attach the end frames to the seat assembly using (1) 10mm x 28mm stainless steel hex head bolt and washer per hole at the top

Note: Do not tighten bolts completely. This will be done in a later step.

INSTRUCTIONS



Step 3 Position the tie bar under the seat assembly between the end frames. And attach it to the end frames using (1) 10mm x 28mm stainless steel hex head bolt and washer per hole on each side.

Note: Do not tighten bolts completely. This will be done in a later step.

Step 4: Carefully adjust the bench assembly making sure that it is square and level. Firmly tighten all loose bolts.