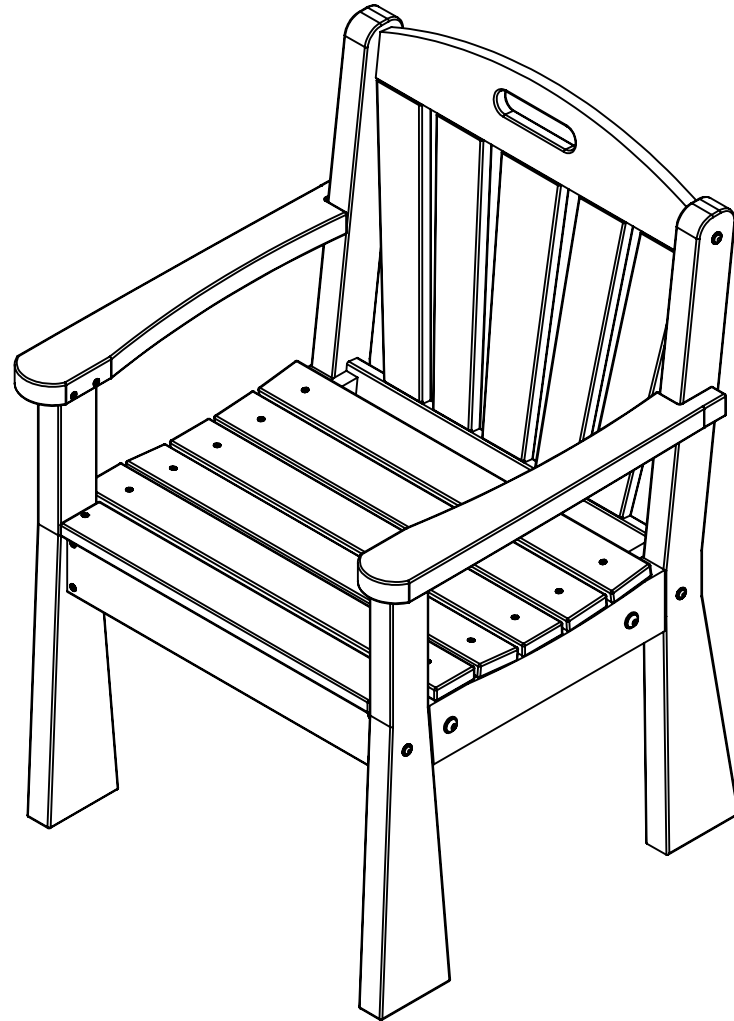
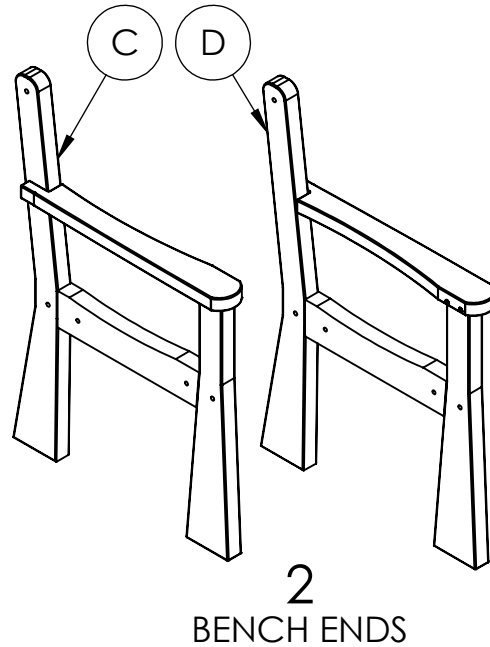
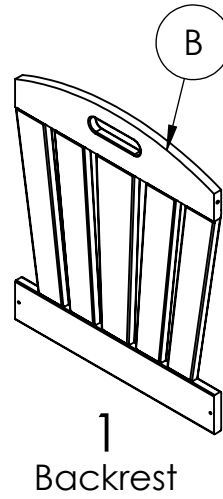
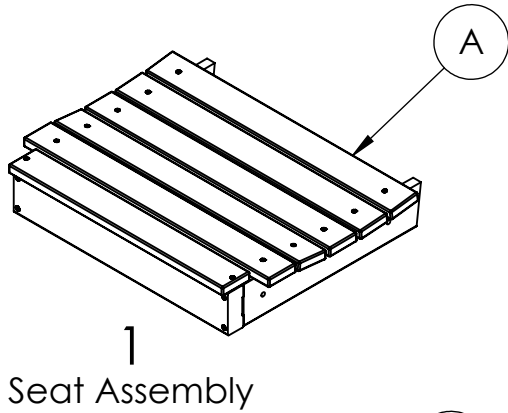


# CHAIR INSTRUCTIONS

CF1110 REV# 1

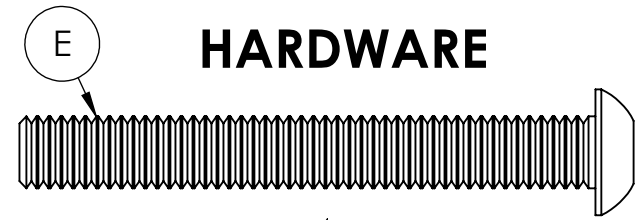


# CHAIR INSTRUCTIONS



## REQUIRED TOOLS (NOT INCLUDED)

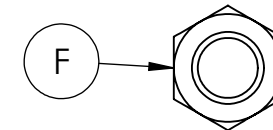
- POWER DRILL
- 7/32 ALLEN WRENCH
- 9/16 WRENCH
- T30 TORX BIT



## HARDWARE

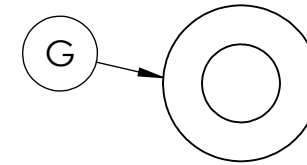
4

3/8" x 3" Button Head Cap Screws



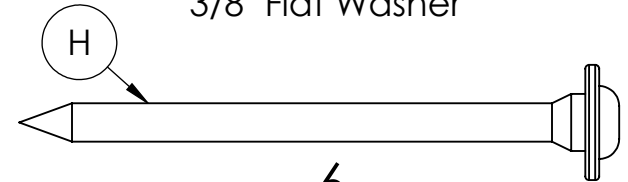
4

3/8" Hex Nuts



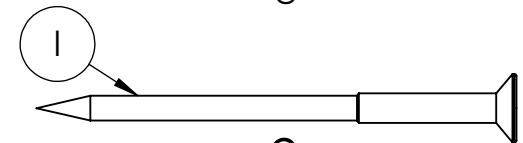
8

3/8" Flat Washer



6

Truss Lag Screw



2

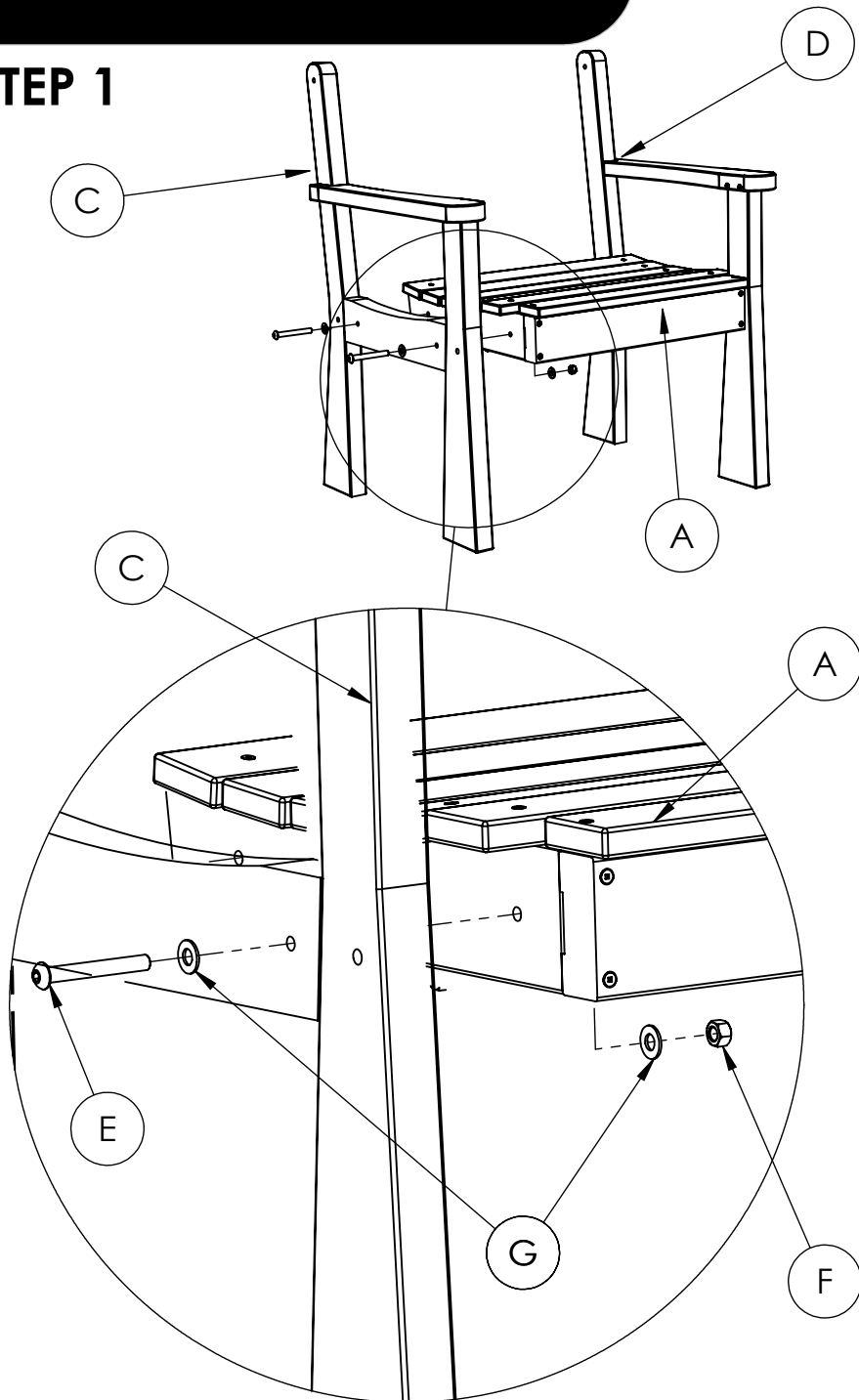
#10 x 2.5 Flat Head Screw

**HARDWARE &  
TOOLS REQUIRED  
FOR ASSEMBLY**

**2/5**

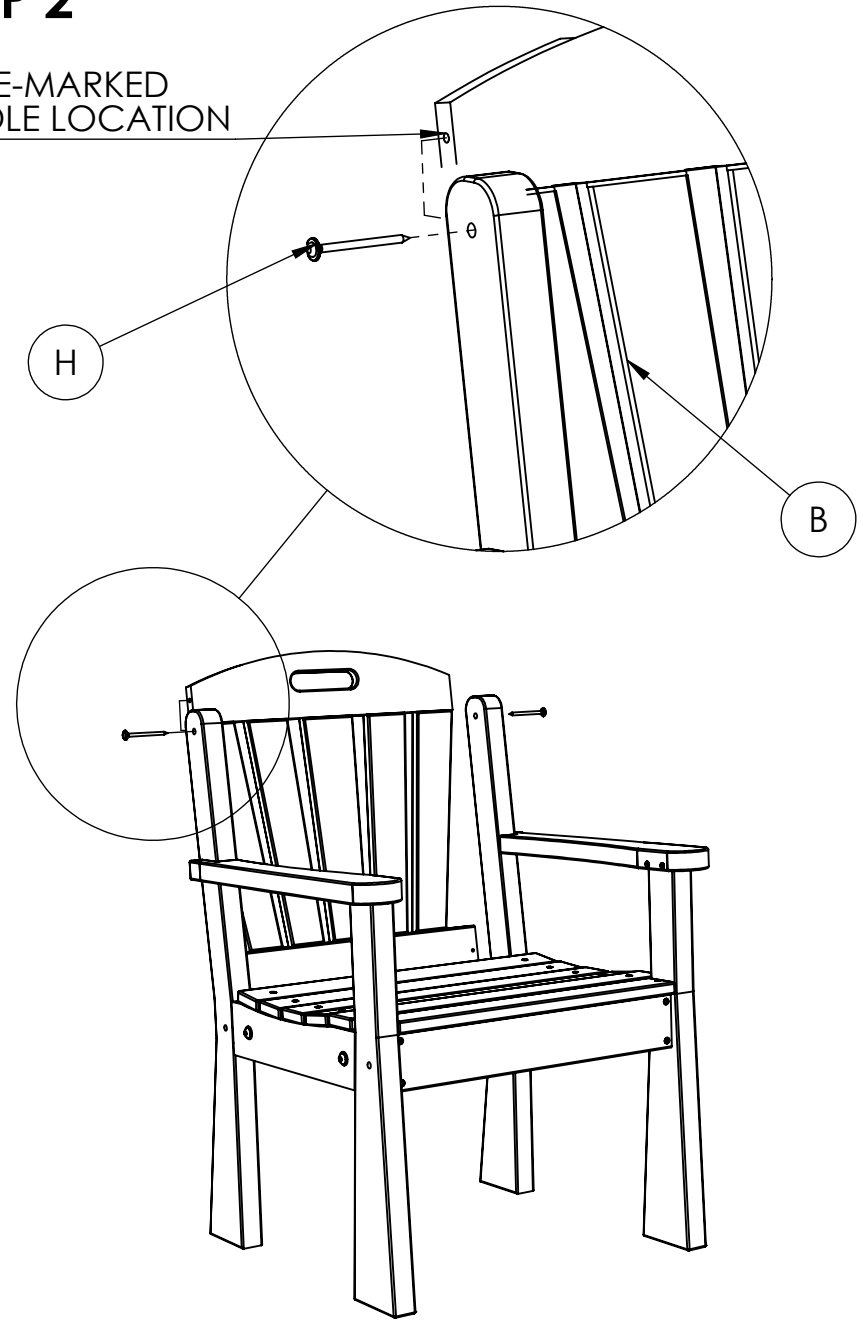
# CHAIR INSTRUCTIONS

## STEP 1



## STEP 2

PRE-MARKED  
HOLE LOCATION

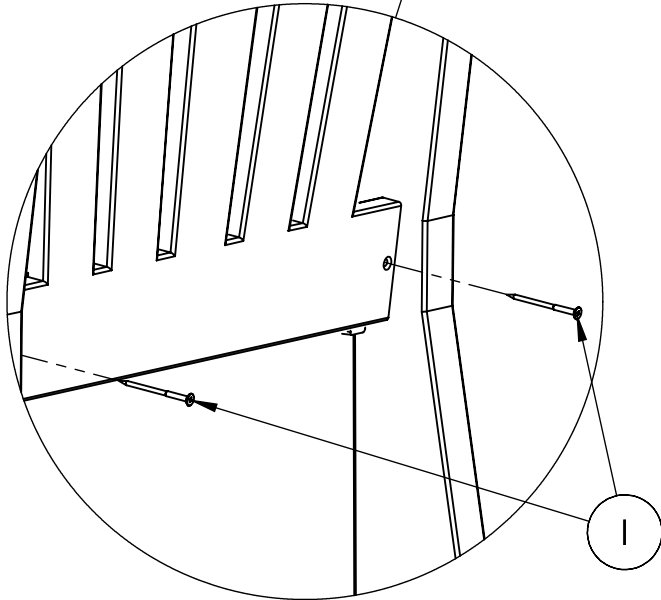
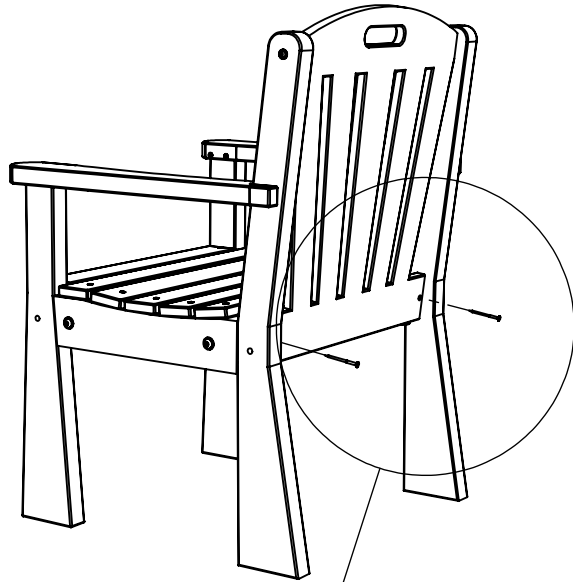


ASSEMBLY

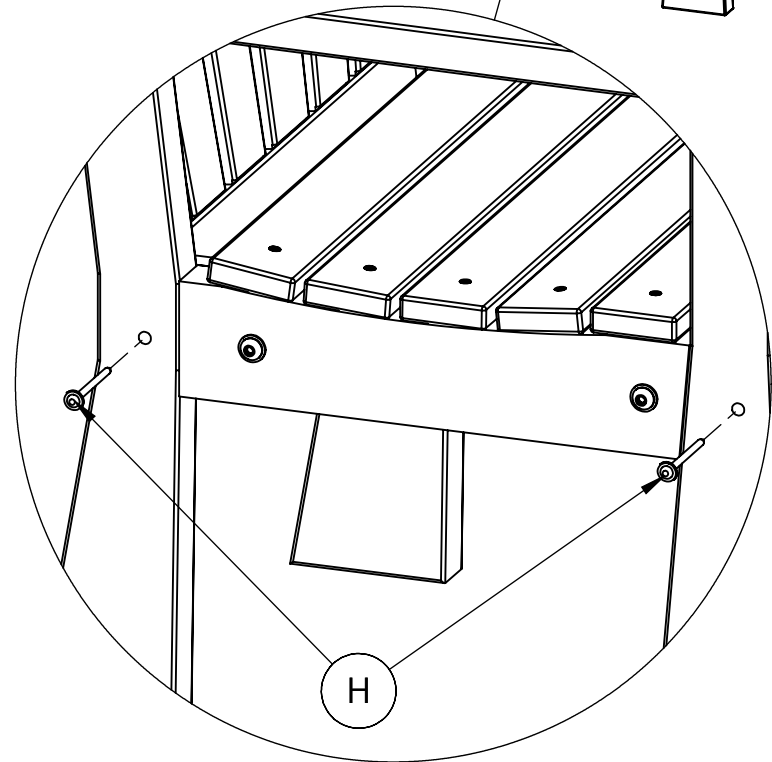
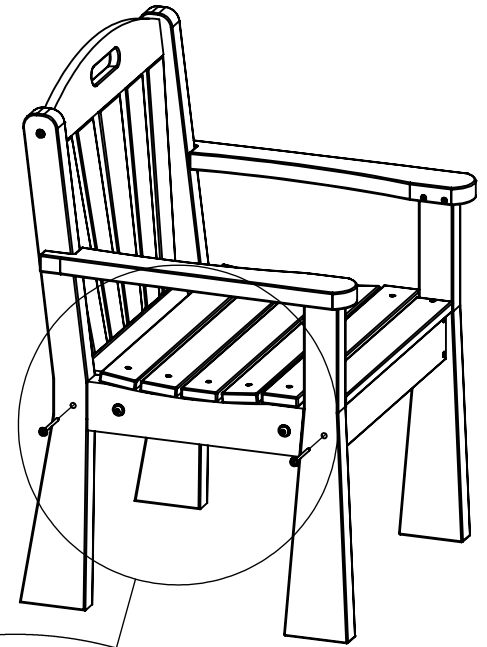
3/5

# CHAIR INSTRUCTIONS

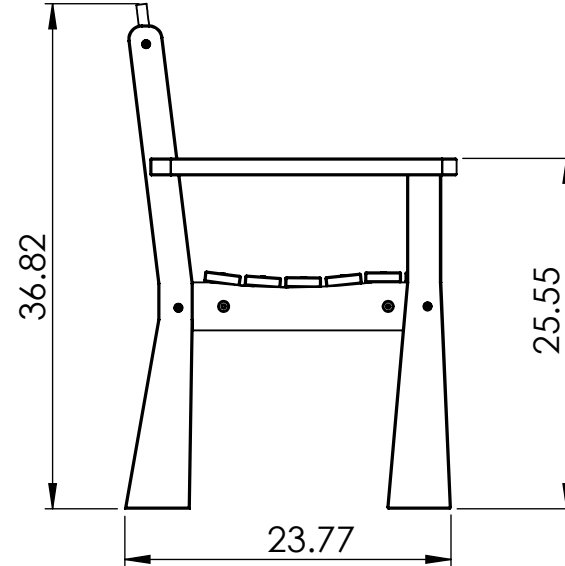
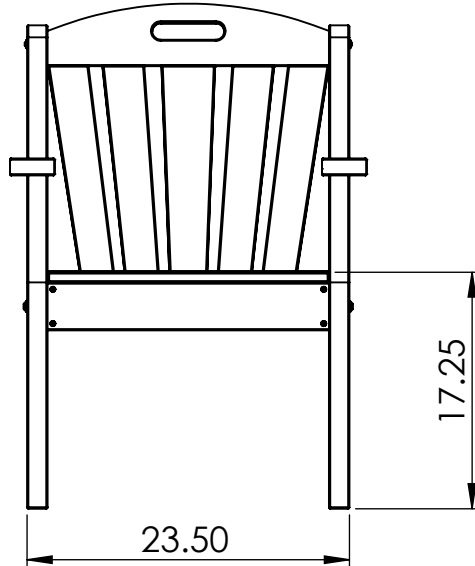
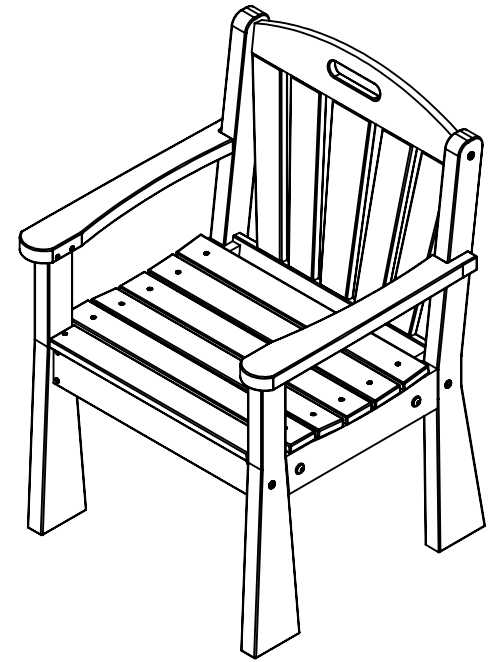
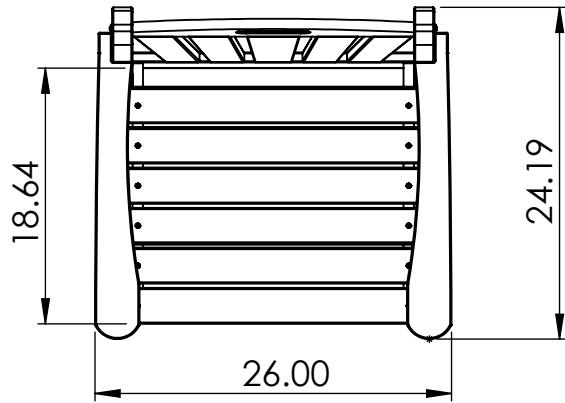
## STEP 3



## STEP 4



# CHAIR SPECIFICATIONS



**CONSTRUCTION MATERIALS:**  
Recycled Plastic  
**HARDWARE:**  
Stainless Steel

ALL DIMENSIONS SHOWN IN INCHES