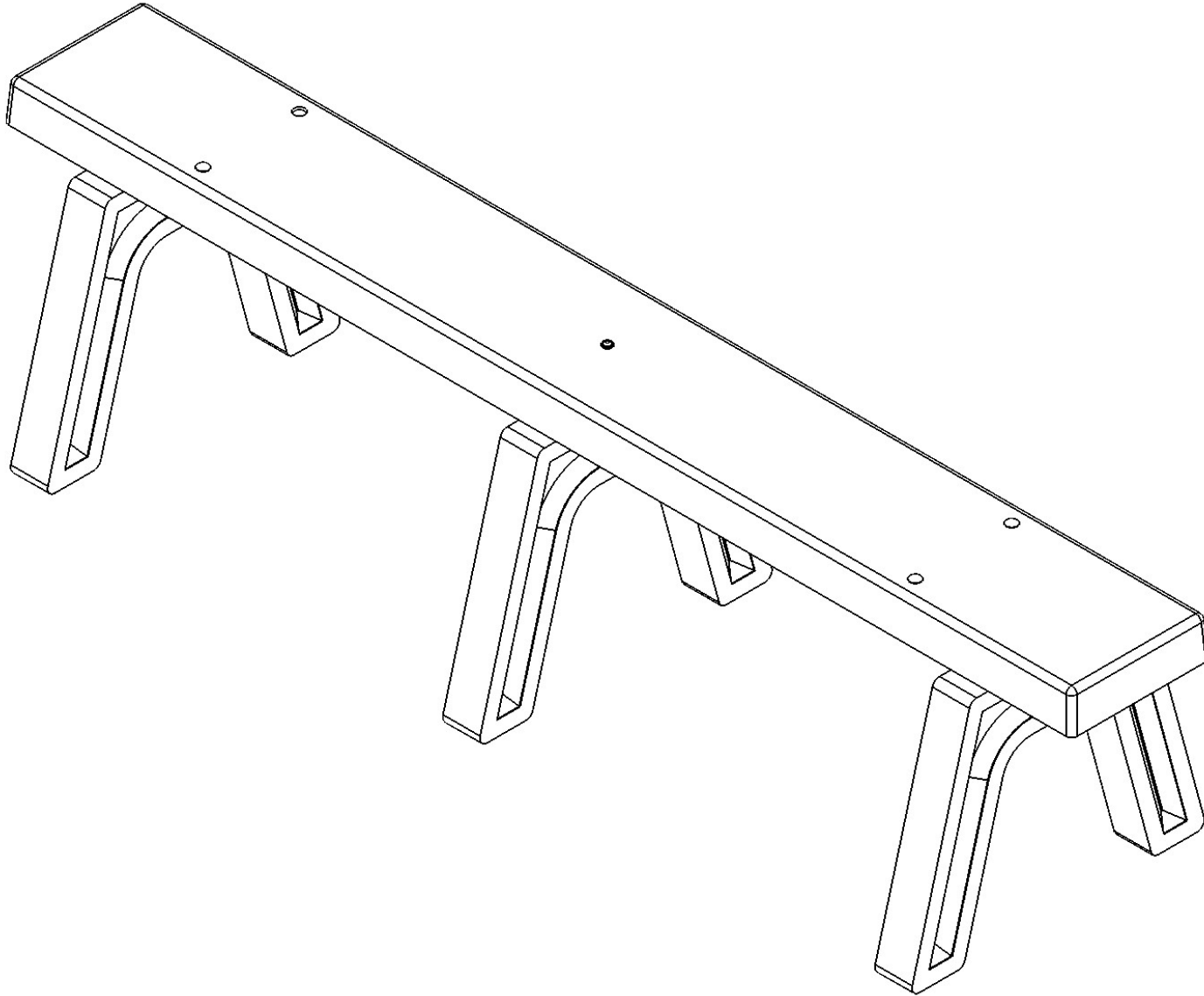
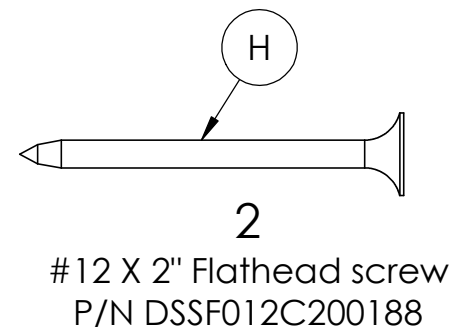
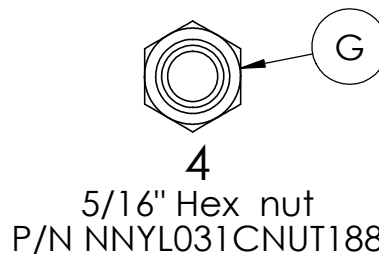
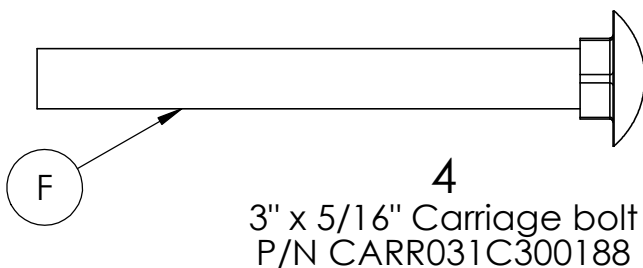
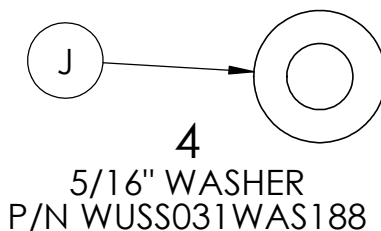
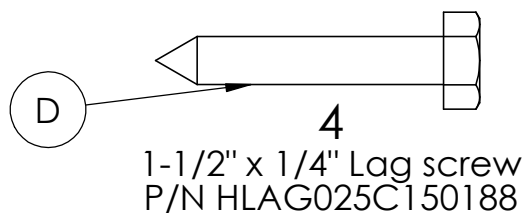
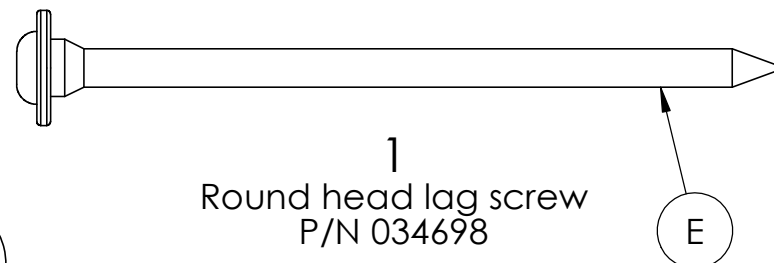
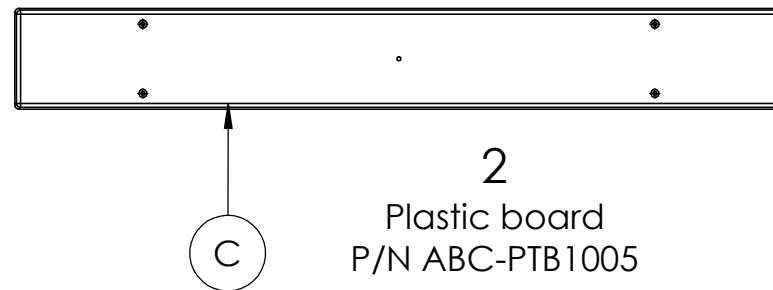
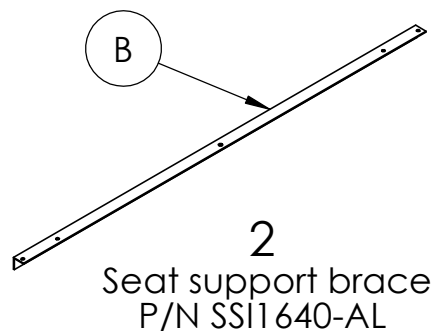
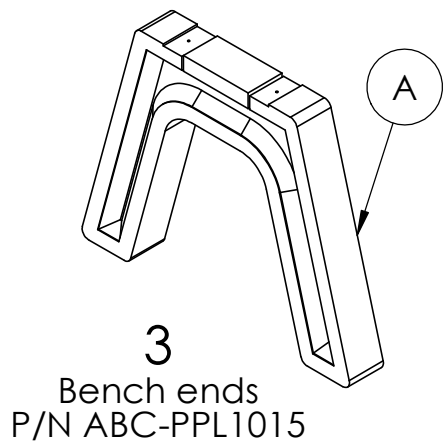


BENCH INSTRUCTIONS
KBC1640

REV# 3
9-15-2021



BENCH INSTRUCTIONS KBC1640



REQUIRED TOOLS (NOT INCLUDED)

- 1 - #3 SQUARE BIT
- 1 - 7/16 WRENCH
- 1 - 1/2 WRENCH
- 1 - POWER DRILL
- 1 - 1/8" DRILL BIT
- 1 - T30 TORX BIT IS INCLUDED

NOTE: IT IS IMPORTANT TO KEEP ALL BOLTS FINGER TIGHT DURING ASSEMBLY UNTIL ENTIRE UNIT IS ASSEMBLED

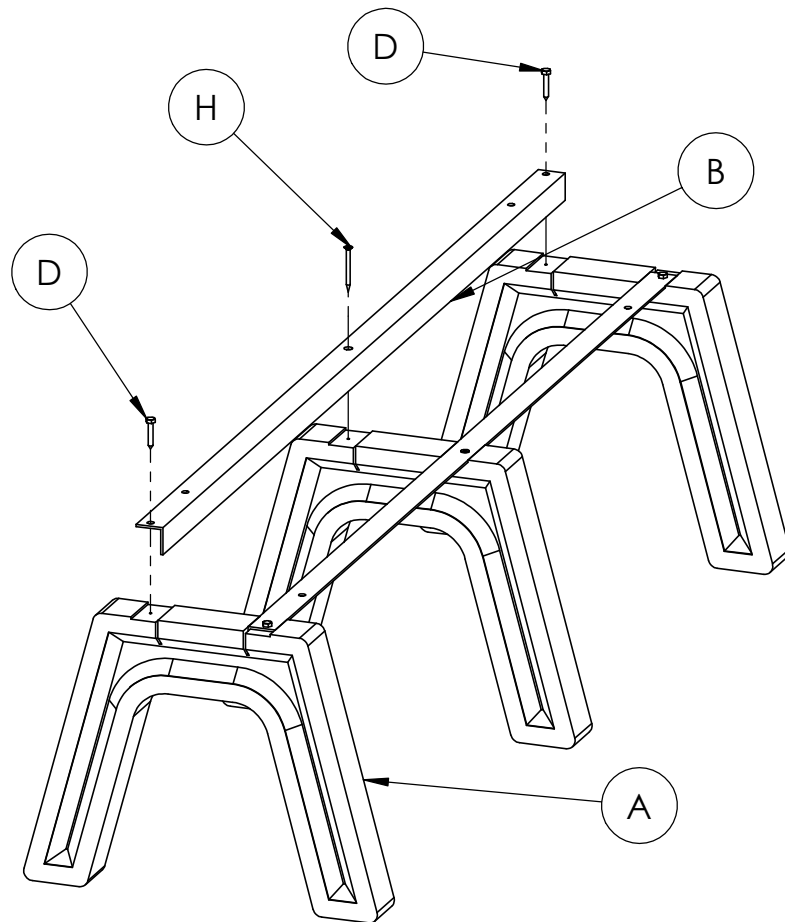
**HARDWARE &
TOOLS REQUIRED
FOR ASSEMBLY**

2/4

BENCH INSTRUCTIONS KBC1640

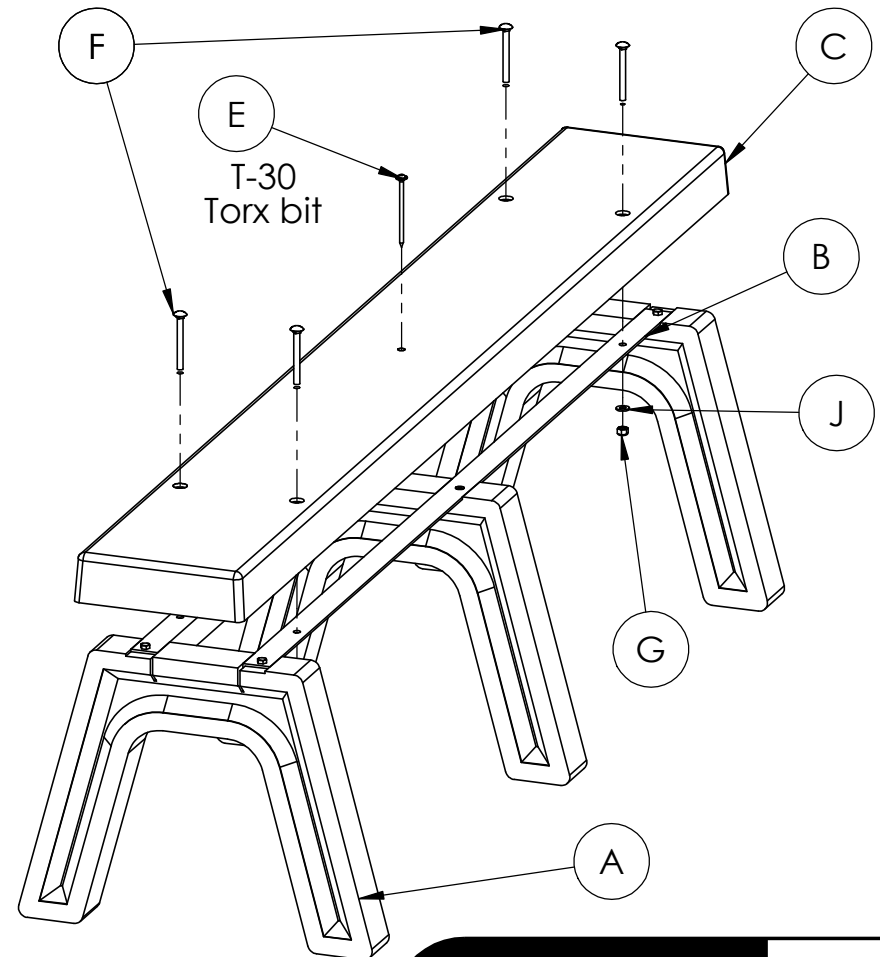
STEP 1

- Stand the plastic bench ends (A) upright
- Place the support braces (B) into the plastic bench ends (A) as shown
- Make sure to align the holes of the support braces with the hole in the plastic bench end
- Secure with 1-1/4" x 1/4" lag screws (D) in the outer bench ends
- In the center bench end (A), secure with (2) #12 x 2-1/2" flat head screws (H)



Step 2

- Place a plastic board (C) over the plastic end supports (A)
- Align the holes of the plastic board (C) with the holes in the support braces (B)
- Secure with (4) 3" x 5/16" carriage bolts (F), 5/16" washers (J) and 5/16" hex nuts (G)
- Secure the center bench end (A) with (1) round head lag screw (E) through the top of plastic board (C) Use supplied T-30 torx bit

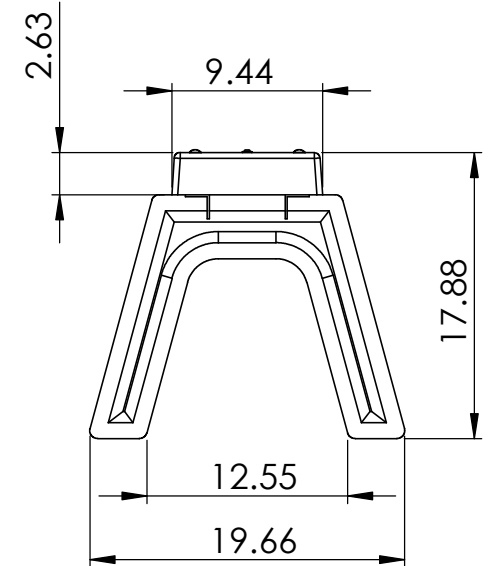
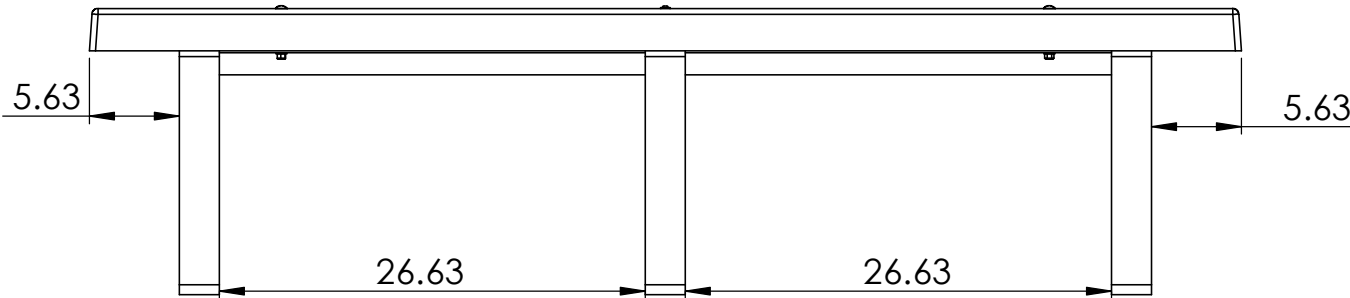
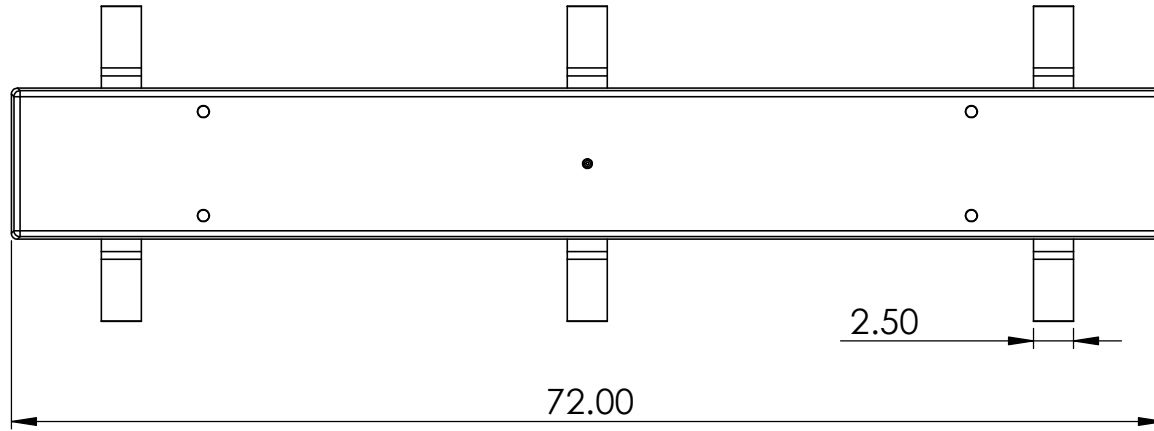
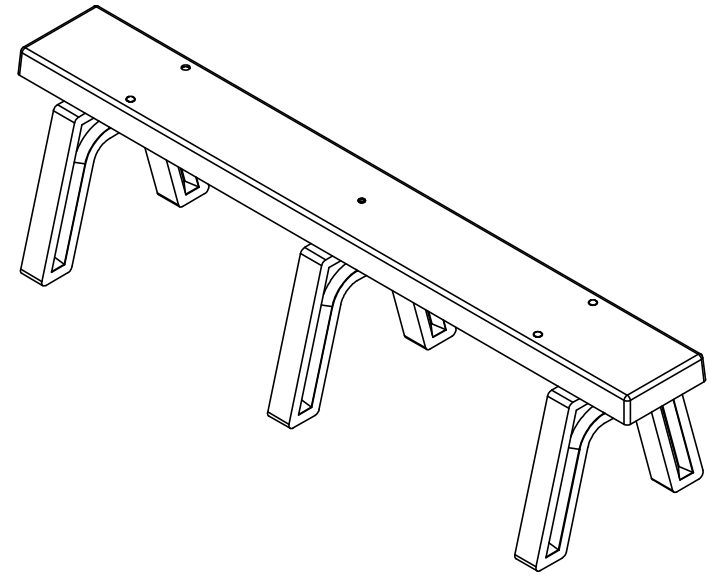


**SEAT
ASSEMBLY**

3/4

BENCH SPECIFICATIONS KBC1640

REV# 3
9-15-2021



CONSTRUCTION MATERIALS:
Plastic
HARDWARE:
Stainless Steel

ALL DIMENSIONS ARE SHOWN IN INCHES