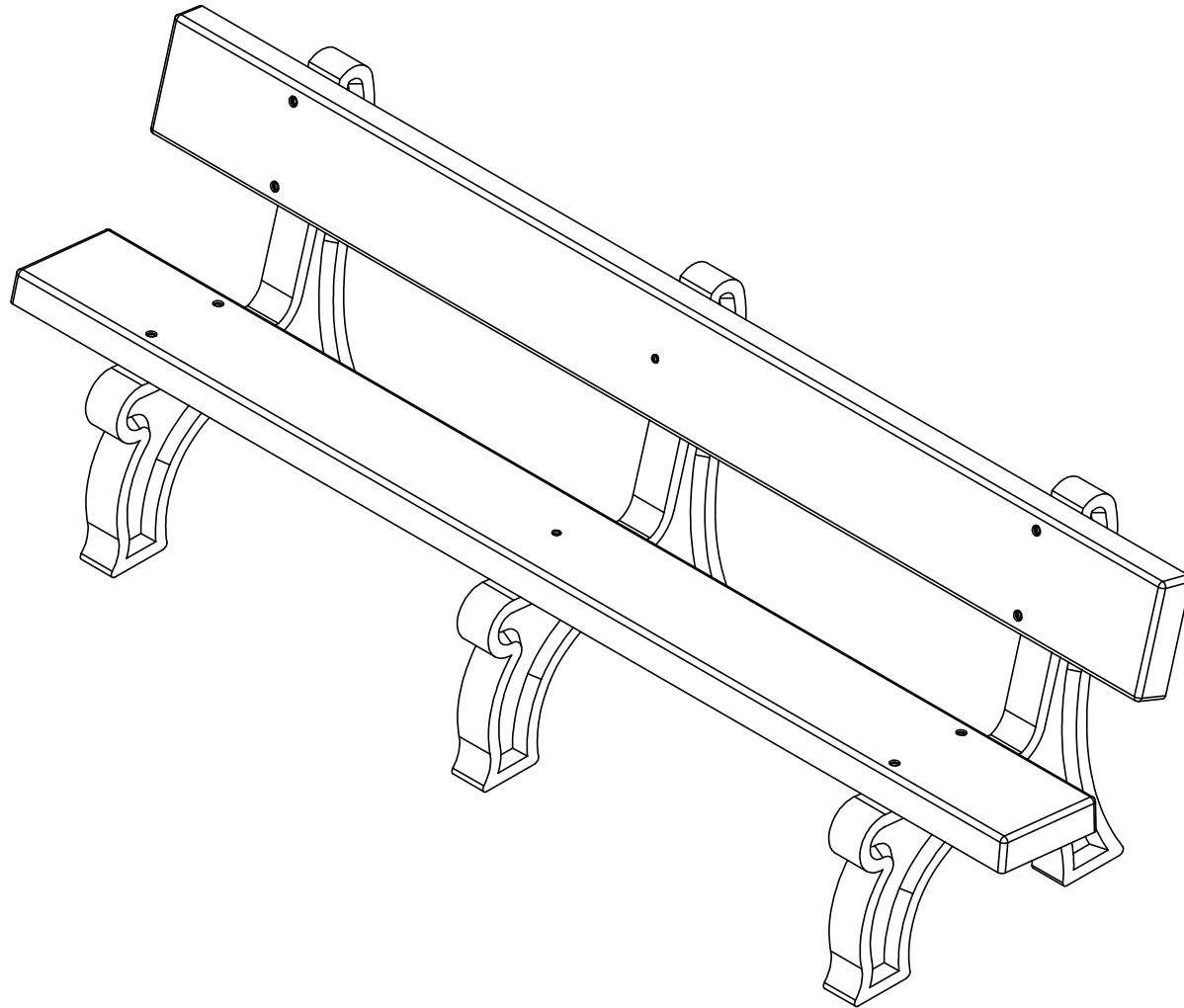


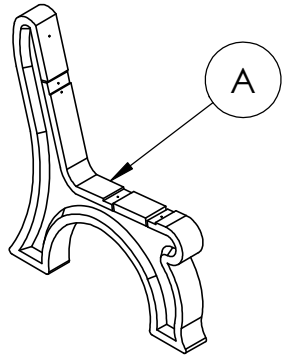
BENCH INSTRUCTIONS
KBC1630

REV# 3
9-15-2021

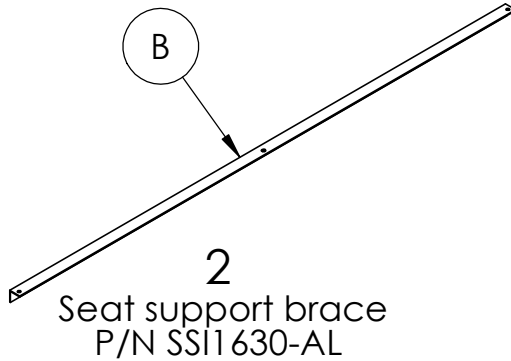


BENCH INSTRUCTIONS

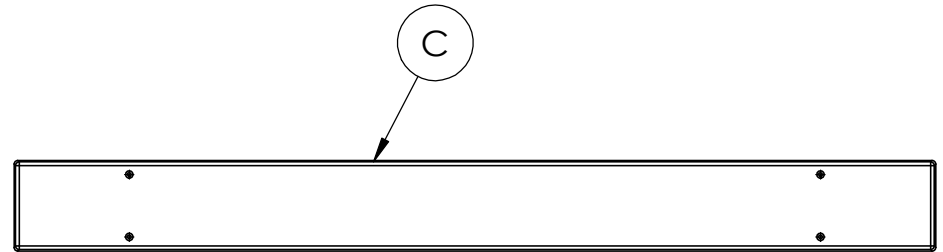
KBC1630



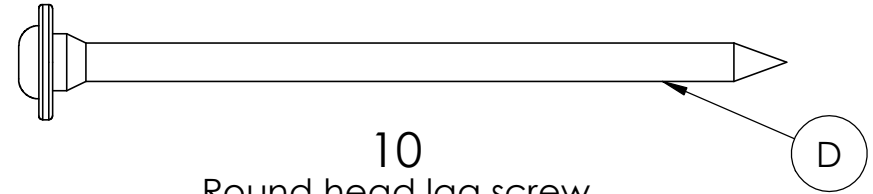
3
Plastic bench ends
P/N ABC-PP-P0001



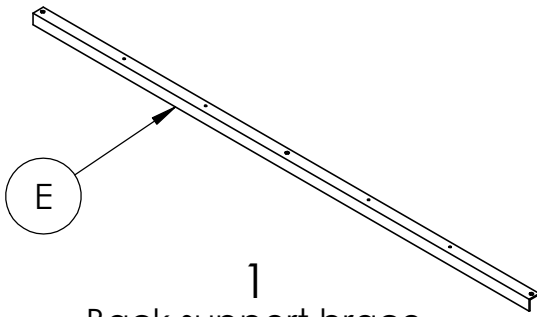
2
Seat support brace
P/N SSI1630-AL



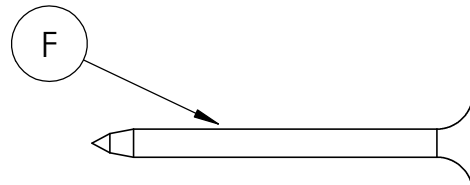
2
Plastic boards
P/N ABC-PTB1010



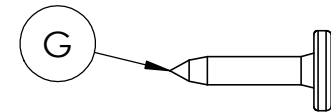
10
Round head lag screw
P/N 034698



1
Back support brace
P/N SSI1630-AL



5
#12 X 2" Deck screw
P/N DSSF012C200188



4
#12 X 3/4" Pan head screw
P/N SMPP012C075A188

REQUIRED TOOLS (NOT INCLUDED)

- 1 - #3 PHILLIPS BIT
- 1 - POWER DRILL
- 1 - 1/8" DRILL BIT
- 1 - T30 TORX BIT IS INCLUDED

NOTE: IT IS IMPORTANT TO KEEP ALL BOLTS FINGER TIGHT DURING ASSEMBLY UNTIL ENTIRE UNIT IS ASSEMBLED

**HARDWARE &
TOOLS REQUIRED
FOR ASSEMBLY**

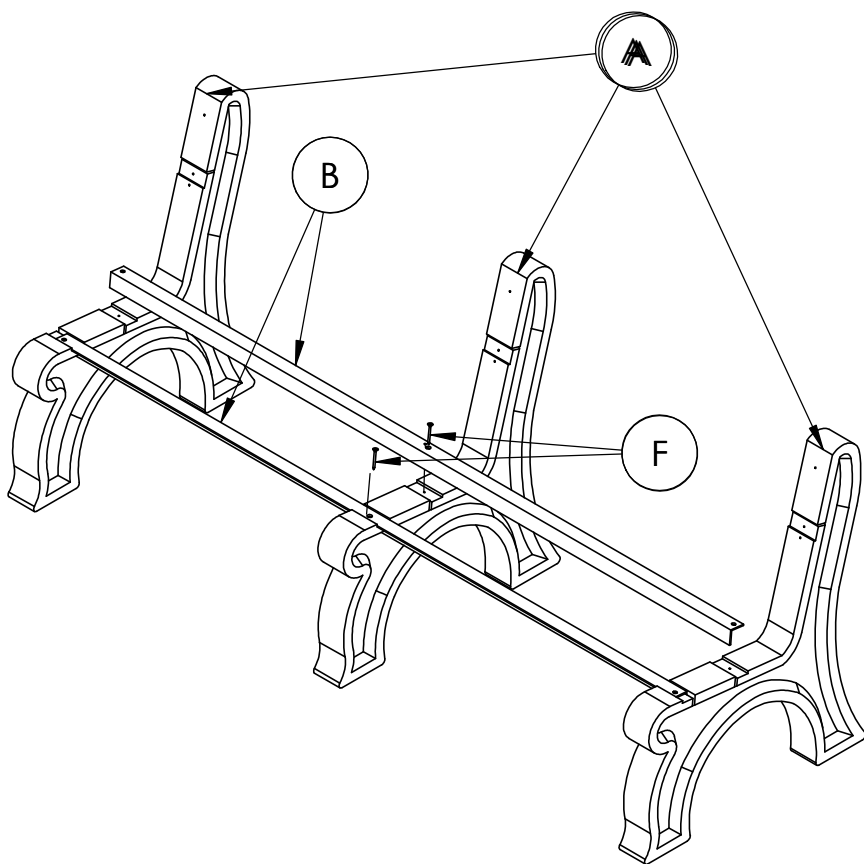
2/6

BENCH INSTRUCTIONS

KBC1630

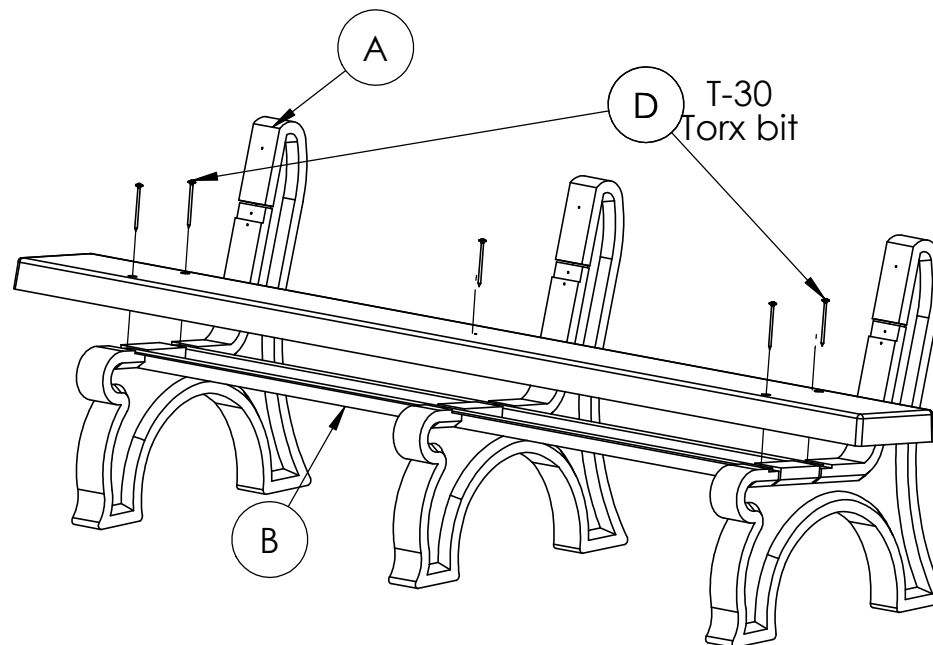
STEP 1

- Stand the plastic bench ends (A) upright
- Place the support braces (B) into the plastic bench ends (A) as shown
- Make sure to align the holes of the support braces with the hole in the plastic bench end
- Insert (2) #12 x 1-1/2" flat head screws (F) through the seat support brace (B) in the center plastic bench end (A)



Step 2

- Place a plastic board (C) over the plastic end supports (A)
- Align the holes of the plastic board (C) with the holes in the support braces (B) and the predrilled holes in the plastic bench ends (A)
- Secure with (5) round head lag screws (D) with supplied T-30 torx bit

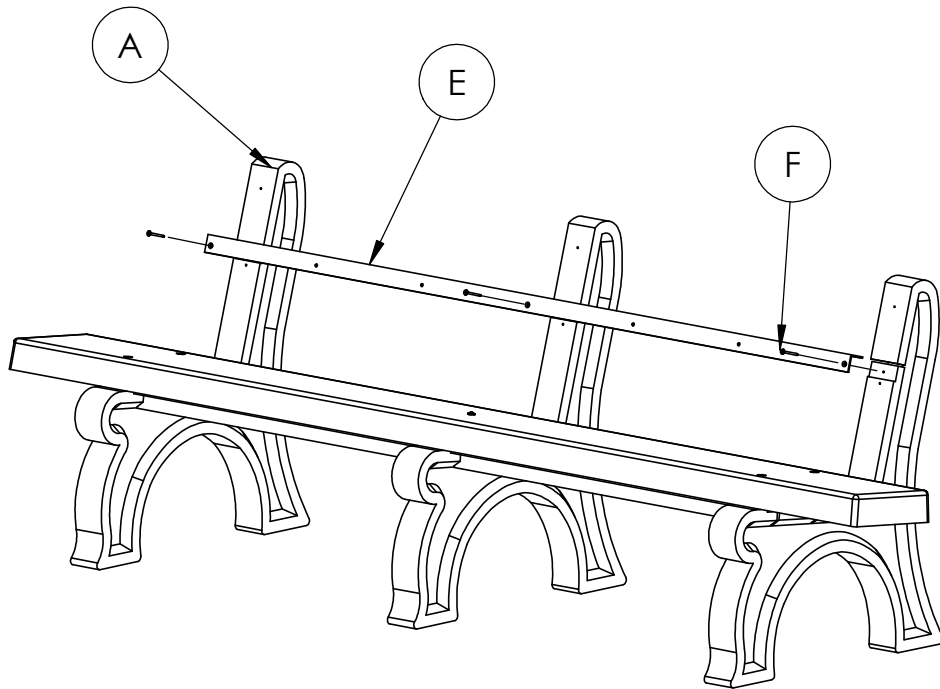


BENCH INSTRUCTIONS

KBC1630

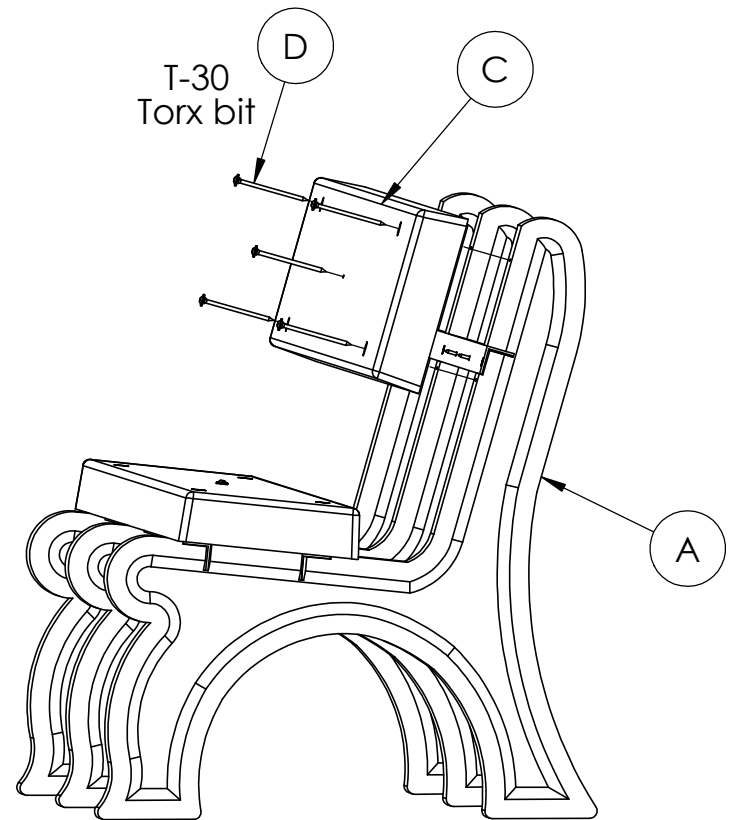
Step 3

- Place the back support brace (E) in the slots on the plastic bench ends (A)
- Align the holes in the back support brace (B) with the predrilled holes in the plastic bench ends (A)
- Attach with (3) #12 x 1-1/2" flat head screws (F)



Step 4

- Hold the plastic board (C) against the back rest on the plastic bench ends (A)
- Align the predrilled holes in the plastic bench ends (A) with the holes in the plastic board (C)
- Secure with (5) round head lag screws (D)

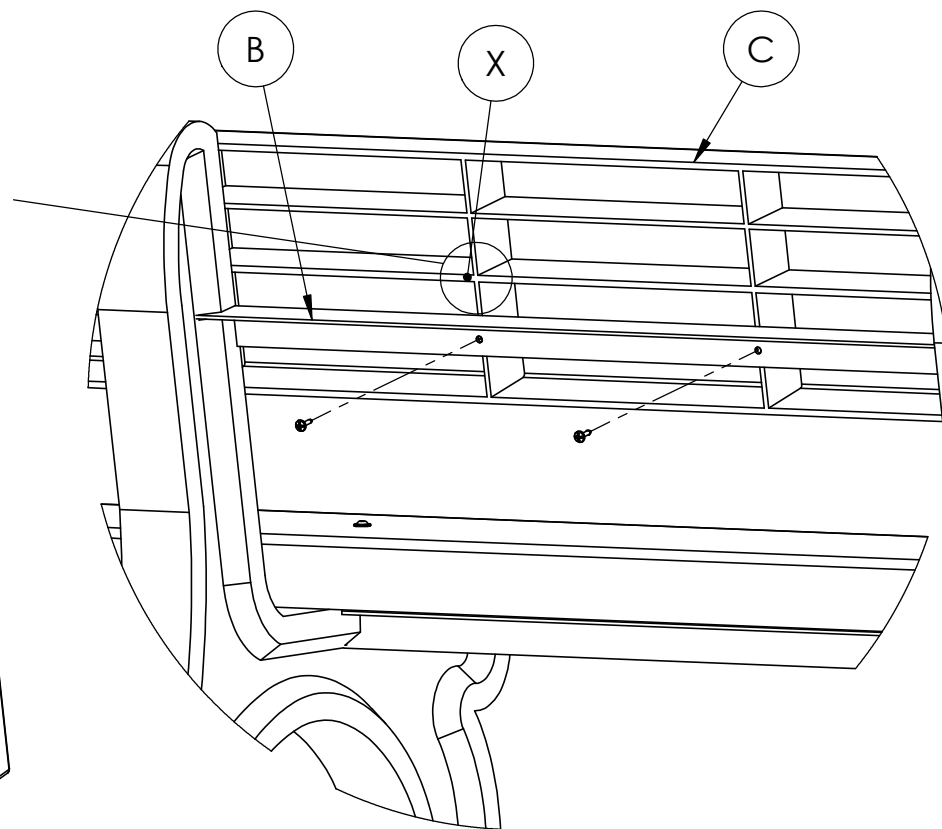
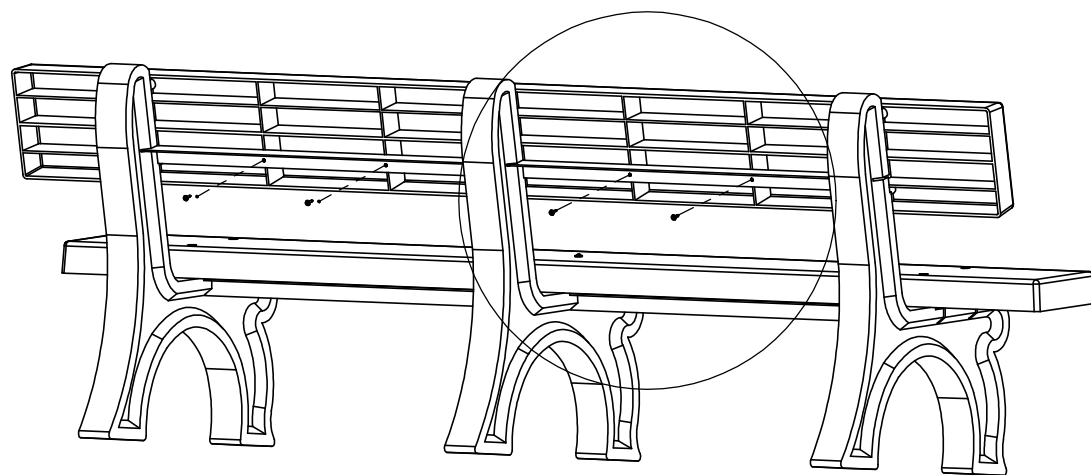


BENCH INSTRUCTIONS

KBC1630

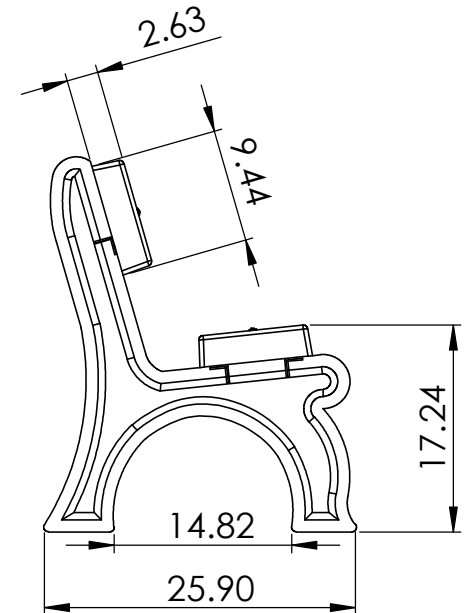
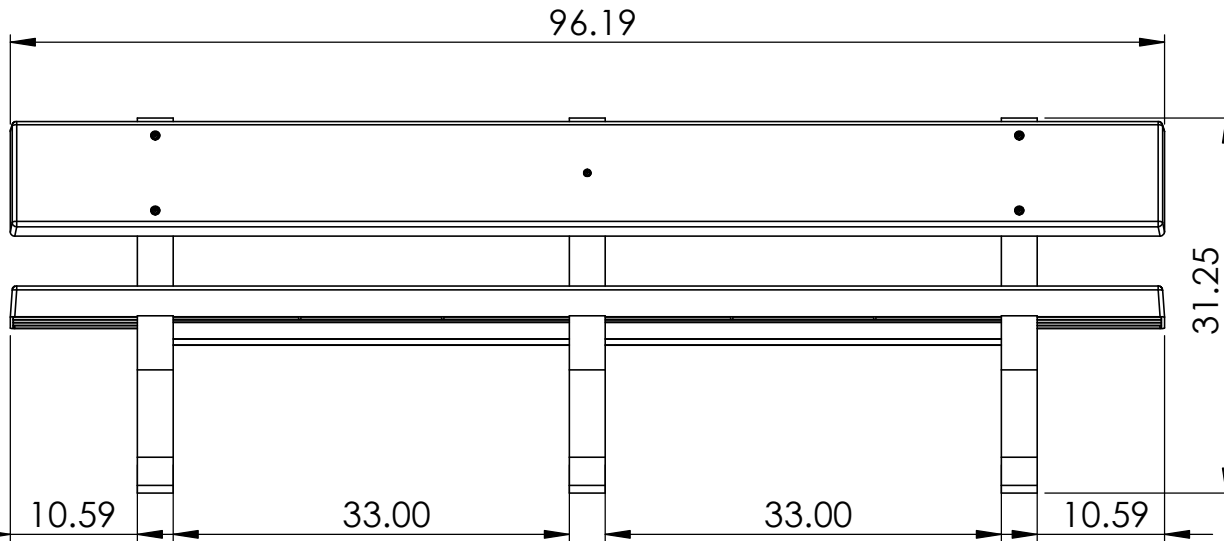
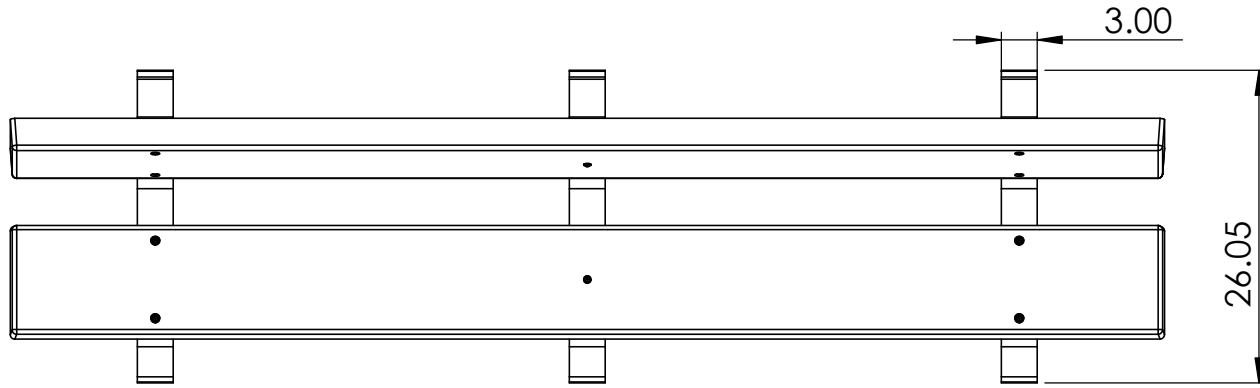
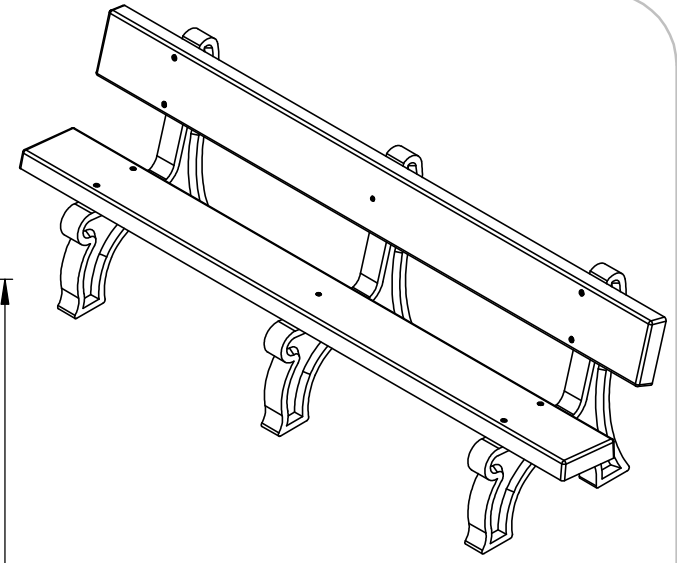
Step 5

- Locate the 4 holes in the back support brace (E)
- Drill an 1/8" hole in the cross section (X) of the plastic board (C) at each hole location on the back support brace
- Secure with (4) #12 x 3/4" pan head screws (G)



BENCH SPECIFICATIONS KBC1630

REV# 3
9-15-2021



CONSTRUCTION MATERIALS:
Plastic
HARDWARE:
Stainless Steel