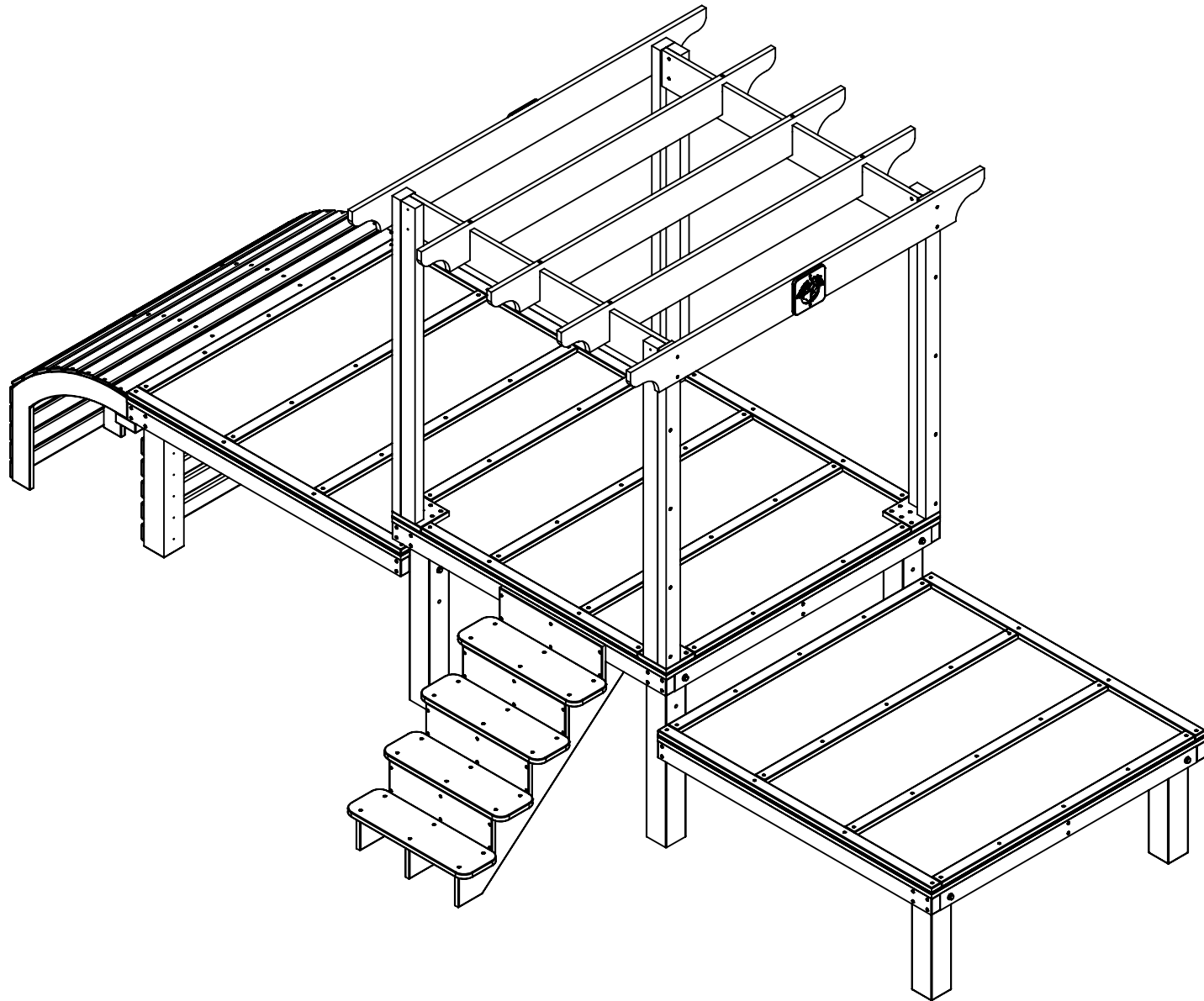
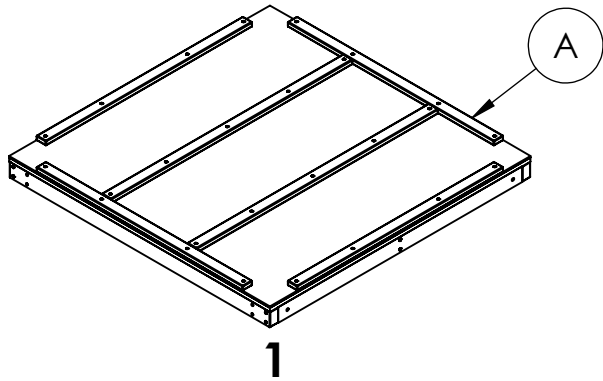


INSTRUCTIONS

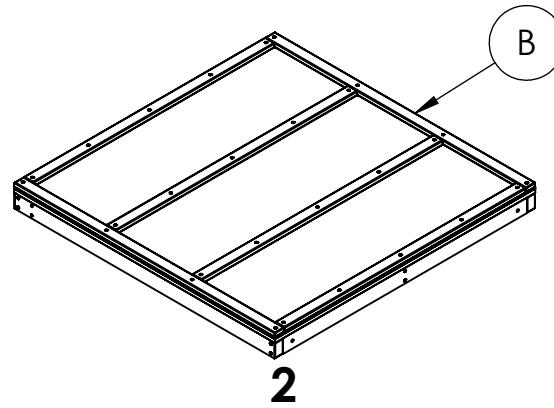
ADP2000 REV# 1



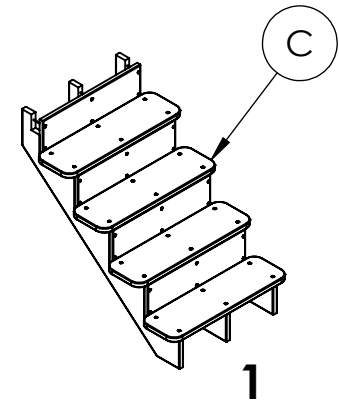
INSTRUCTIONS



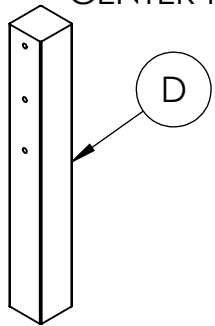
1
CENTER PLATFORM



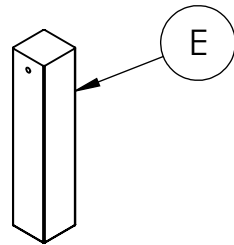
2
SIDE PLATFORM



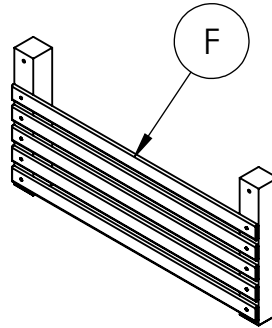
1
STAIR ASSEMBLY



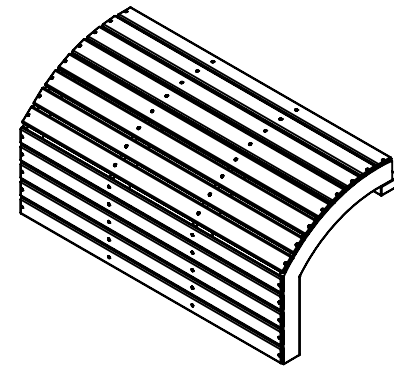
4
CENTER POST
27 IN.



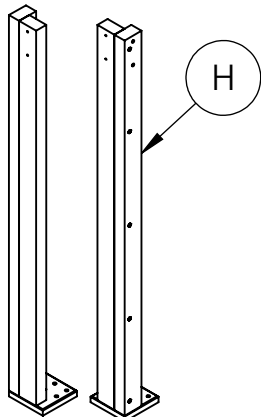
2
SIDE POST
17 in.



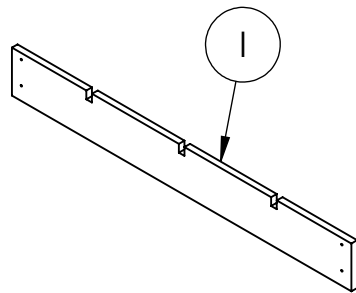
1
TUNNEL POSTS



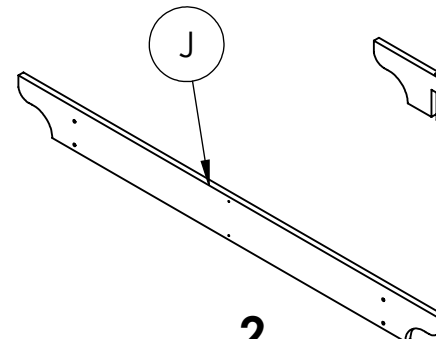
1
TUNNEL ASSEMBLY



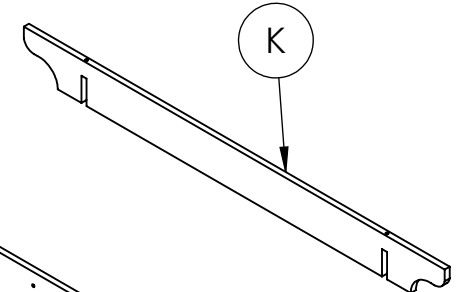
4
PERGOLA POST



2
PERGOLA MOUNTS



2
PERGOLA FACE SLATS



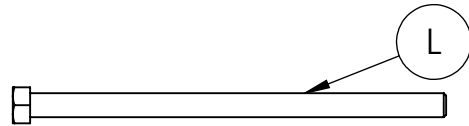
3
PERGOLA SLATS

**HARDWARE &
TOOLS REQUIRED
FOR ASSEMBLY**

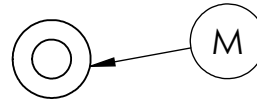
2/12

INSTRUCTIONS

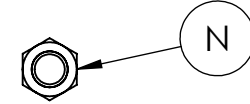
HARDWARE



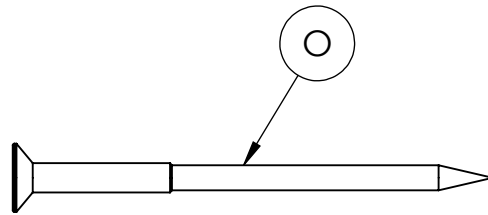
12
3/8" x 5.5" HEX BOLTS



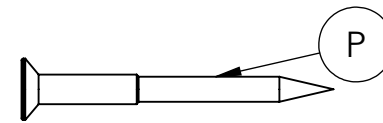
24
3/8" WASHERS



12
3/8" HEX NUTS



49
#10 x 3.0"
FLAT HEAD SCREW
(EXTRA SCREWS INCLUDED)



16
#8 x 1.625"
FLAT HEAD SCREW
(EXTRA SCREWS INCLUDED)

REQUIRED TOOLS (NOT INCLUDED)

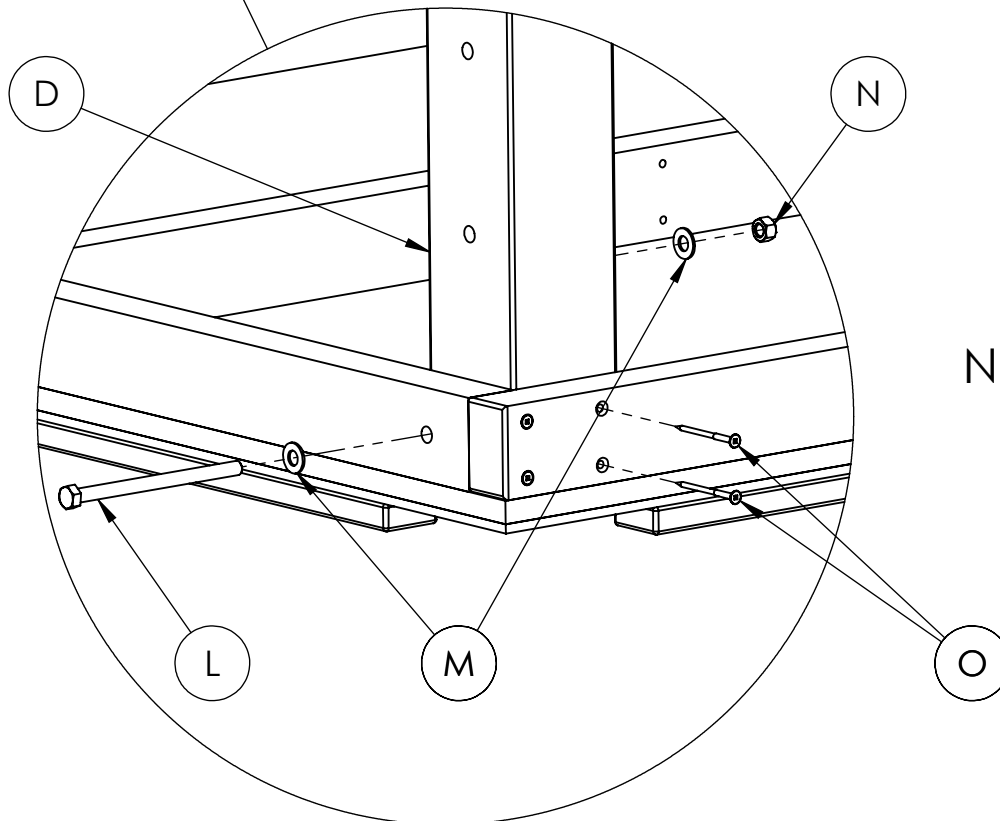
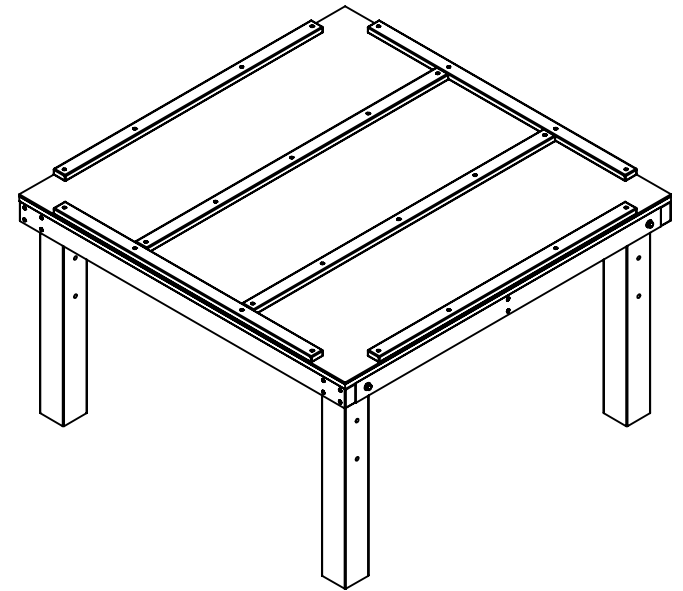
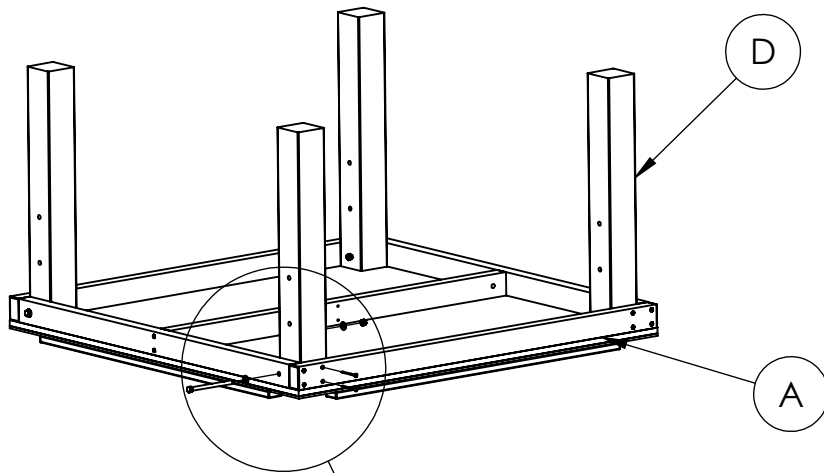
- POWER DRILL
- #2 SQUARE DRIVE
- (2) 9/16" WRENCHES

2 PEOPLE RECOMMENDED FOR THIS PROJECT

**HARDWARE &
TOOLS REQUIRED
FOR ASSEMBLY**

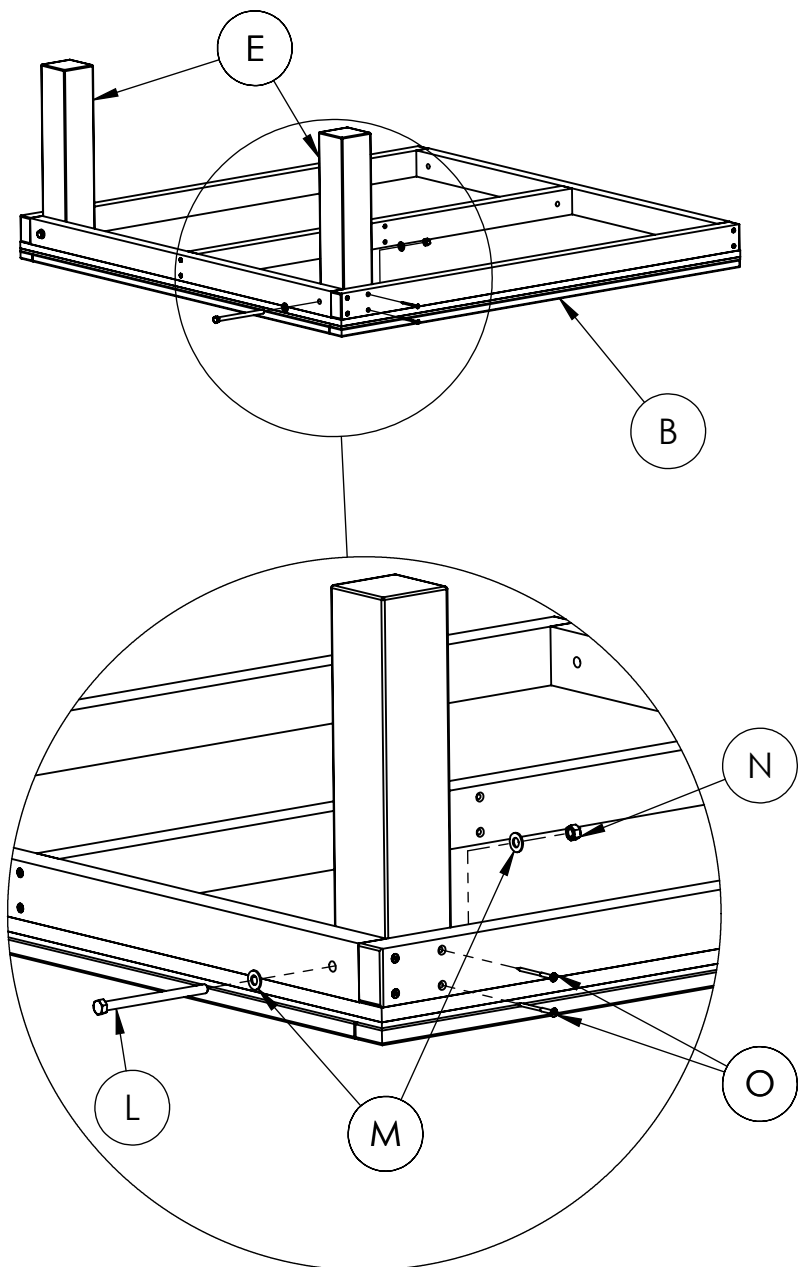
3/12

INSTRUCTIONS

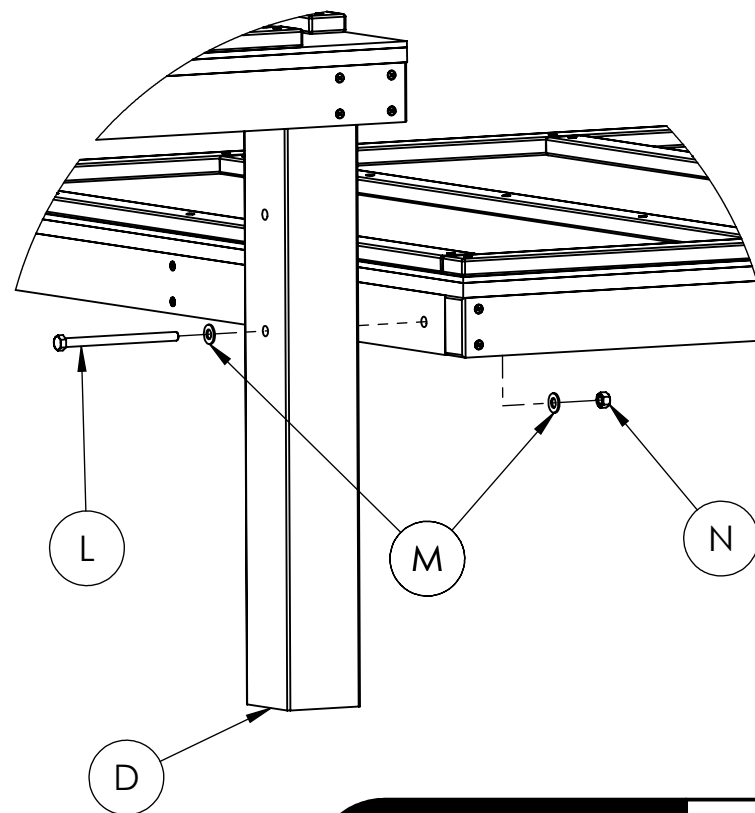
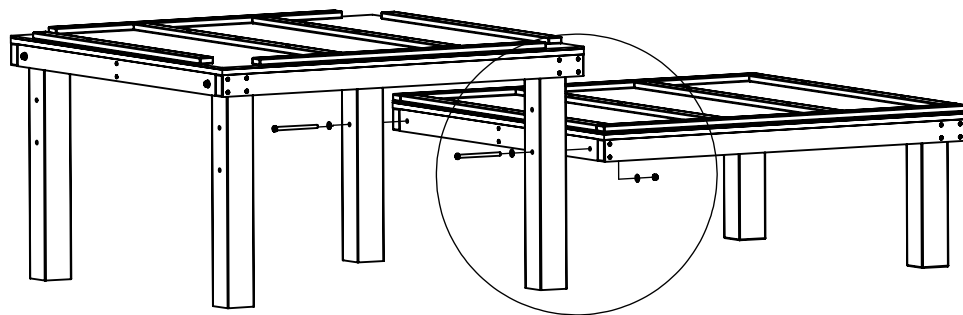


NOTE: SECURE WITH BOLTS FIRST

INSTRUCTIONS



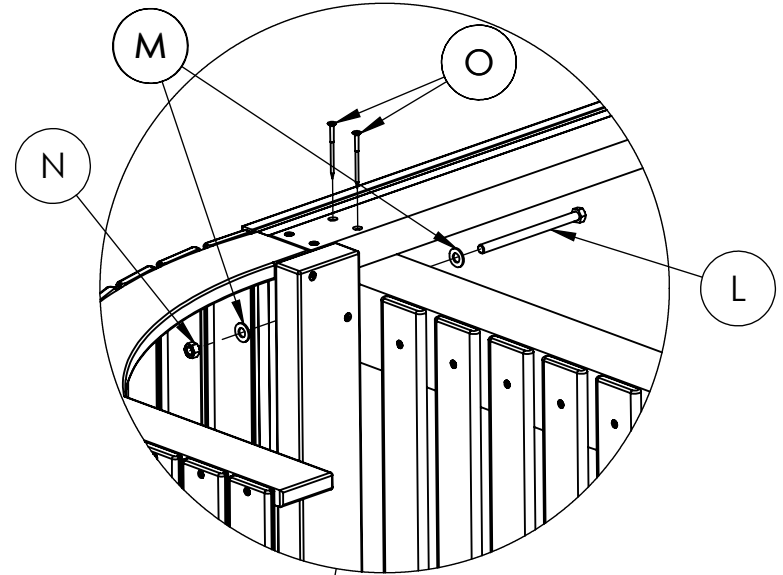
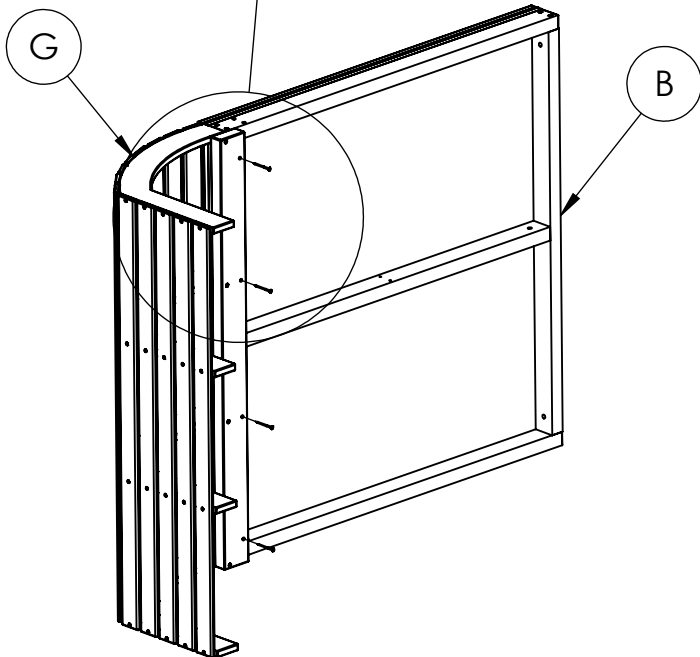
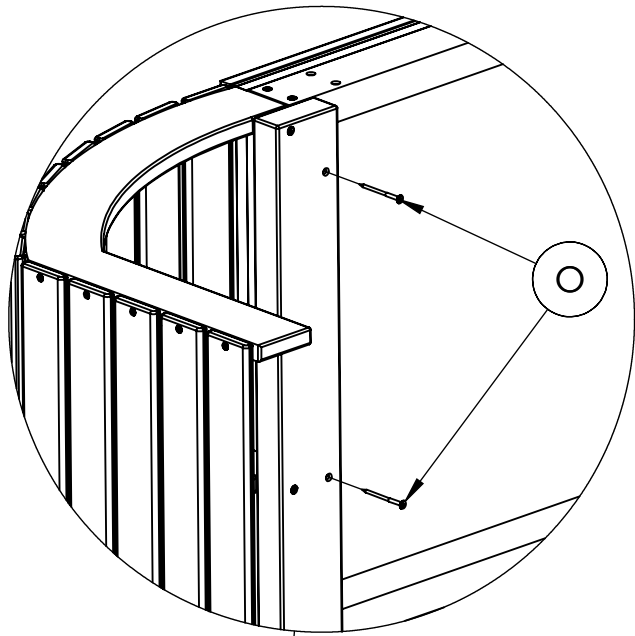
NOTE: SECURE WITH BOLTS FIRST



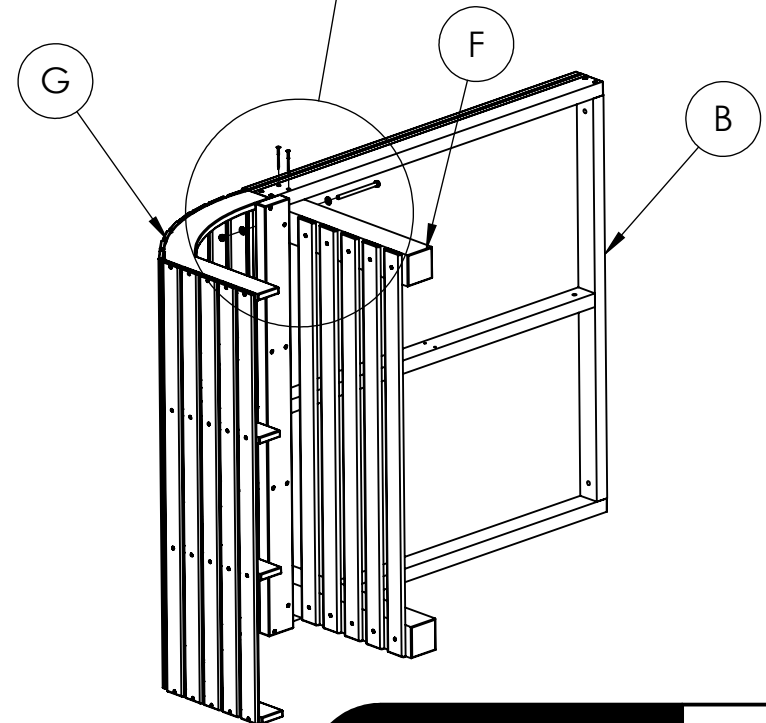
**SIDE
PLATFORM**

5/12

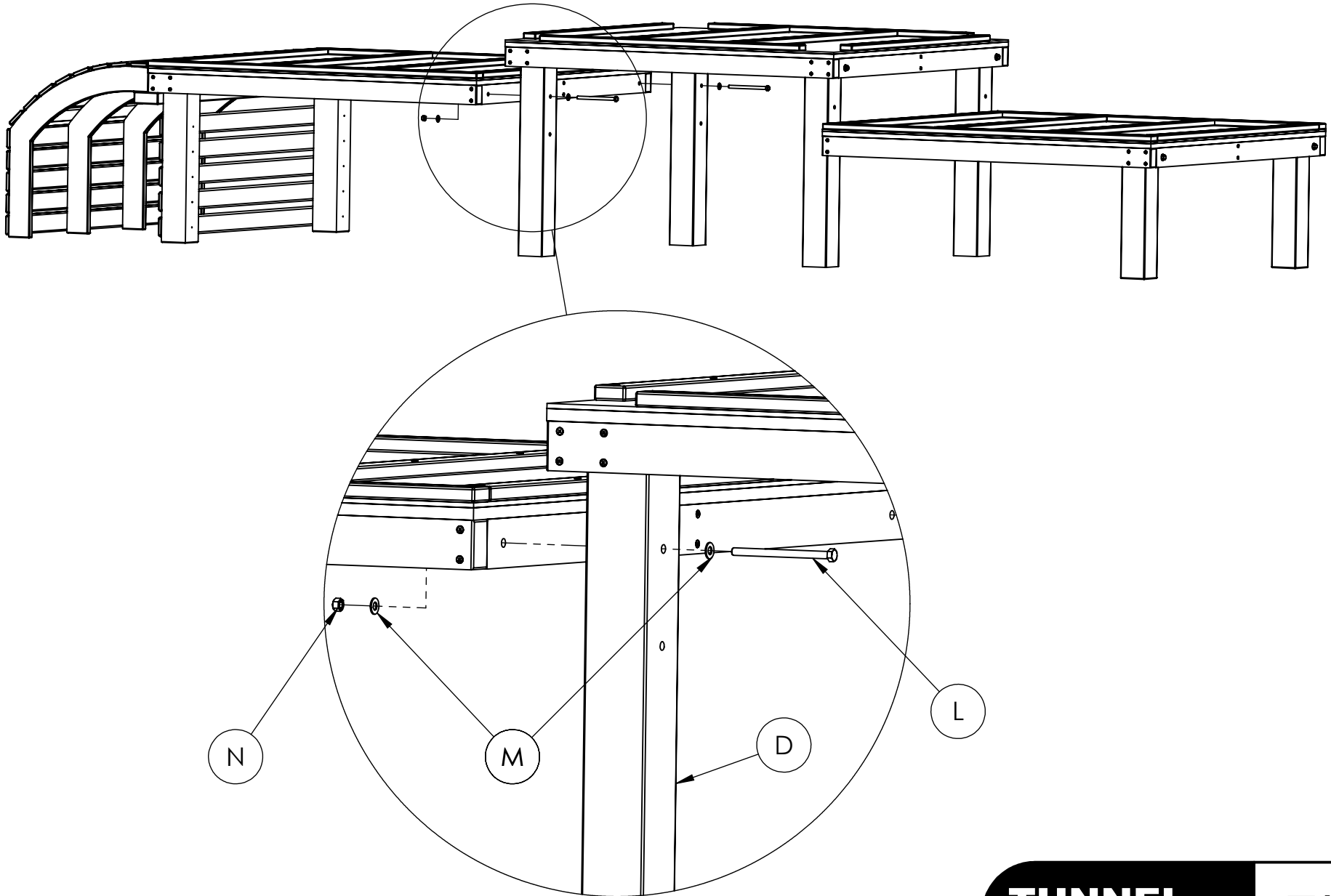
INSTRUCTIONS



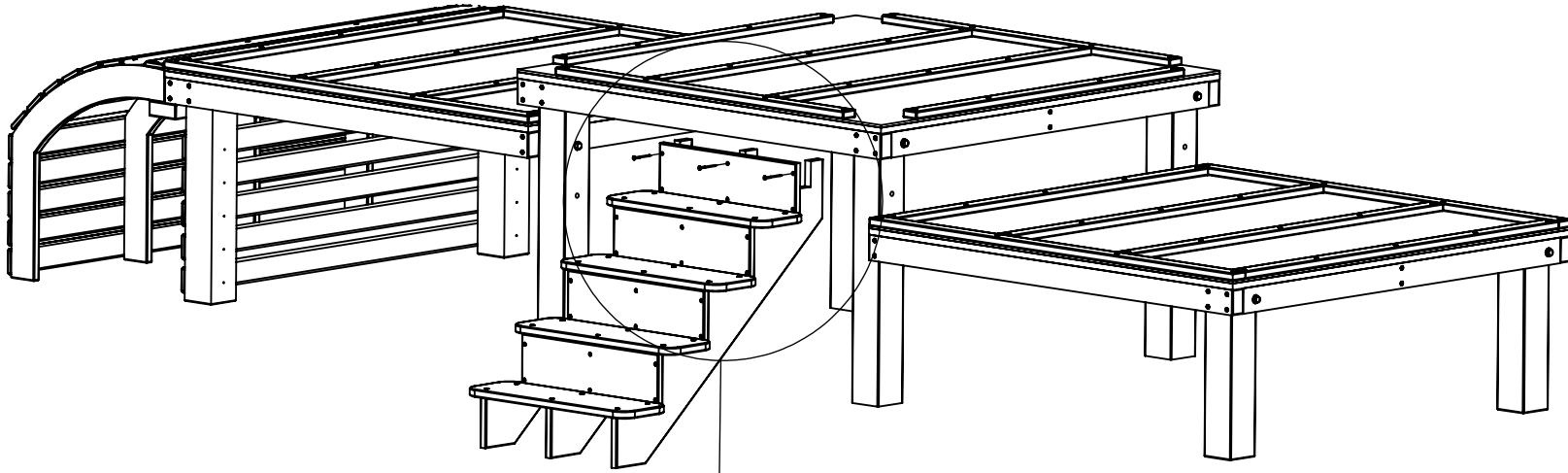
NOTE: SECURE WITH BOLTS FIRST



INSTRUCTIONS

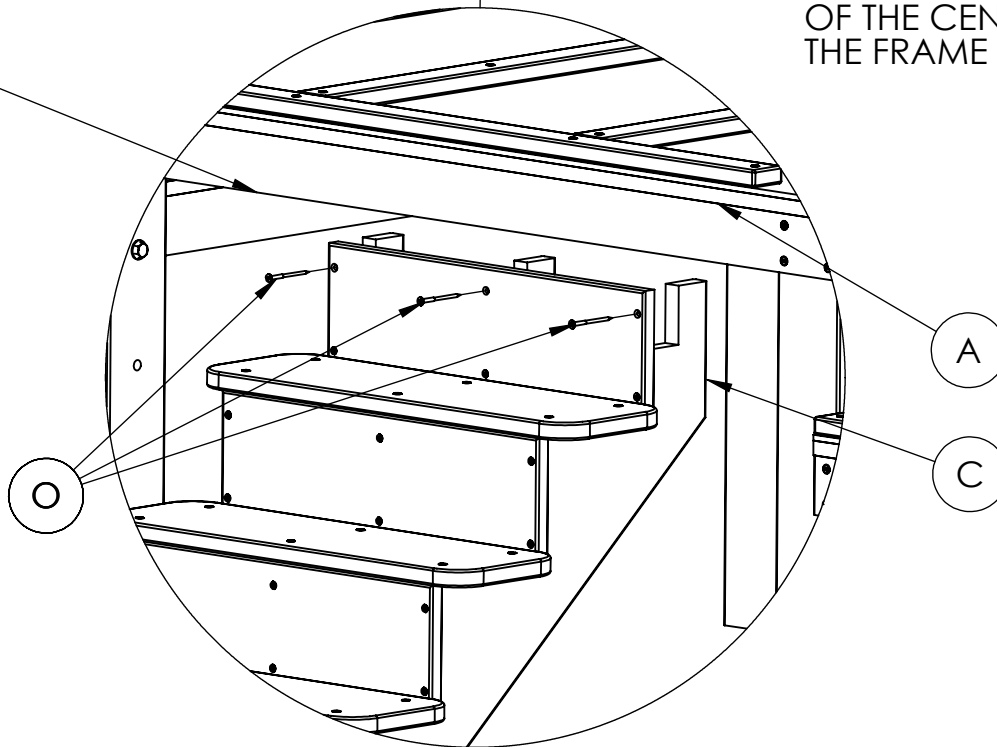


INSTRUCTIONS



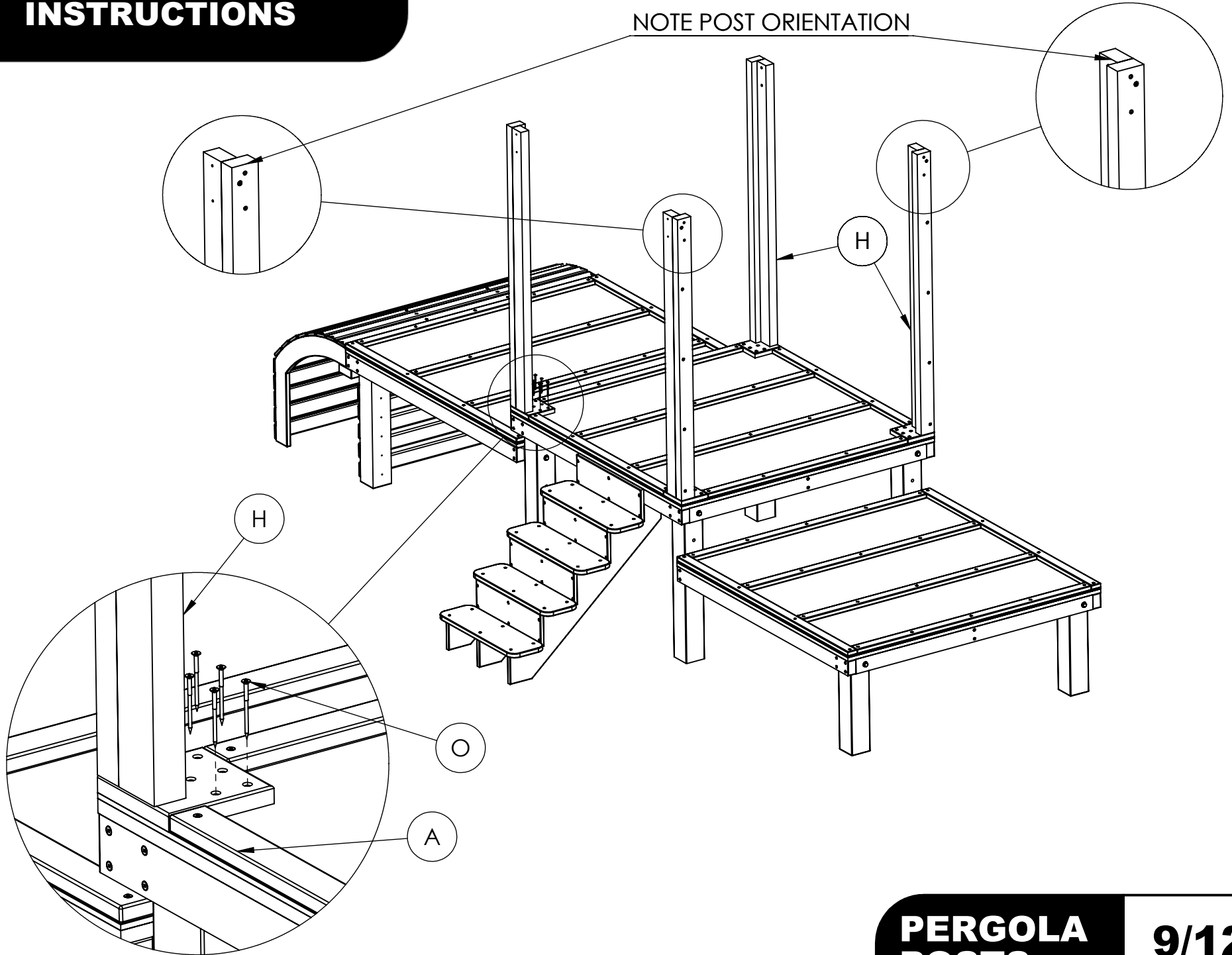
NOTE: STAIRS CAN MOUNT ON EITHER SIDE OF THE CENTER PLATFORM ANYWHERE ALONG THE FRAME

FRAME

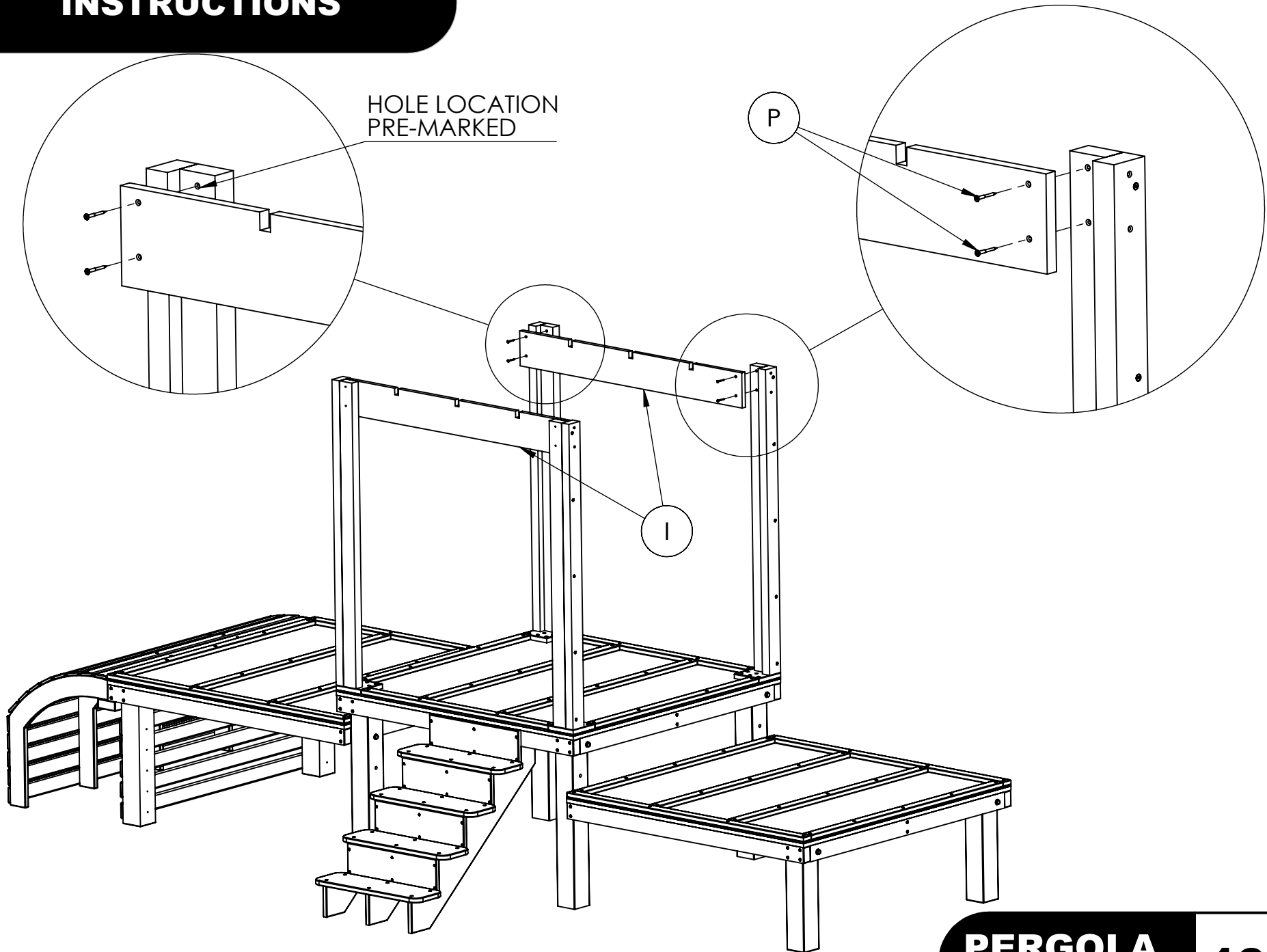


INSTRUCTIONS

NOTE POST ORIENTATION

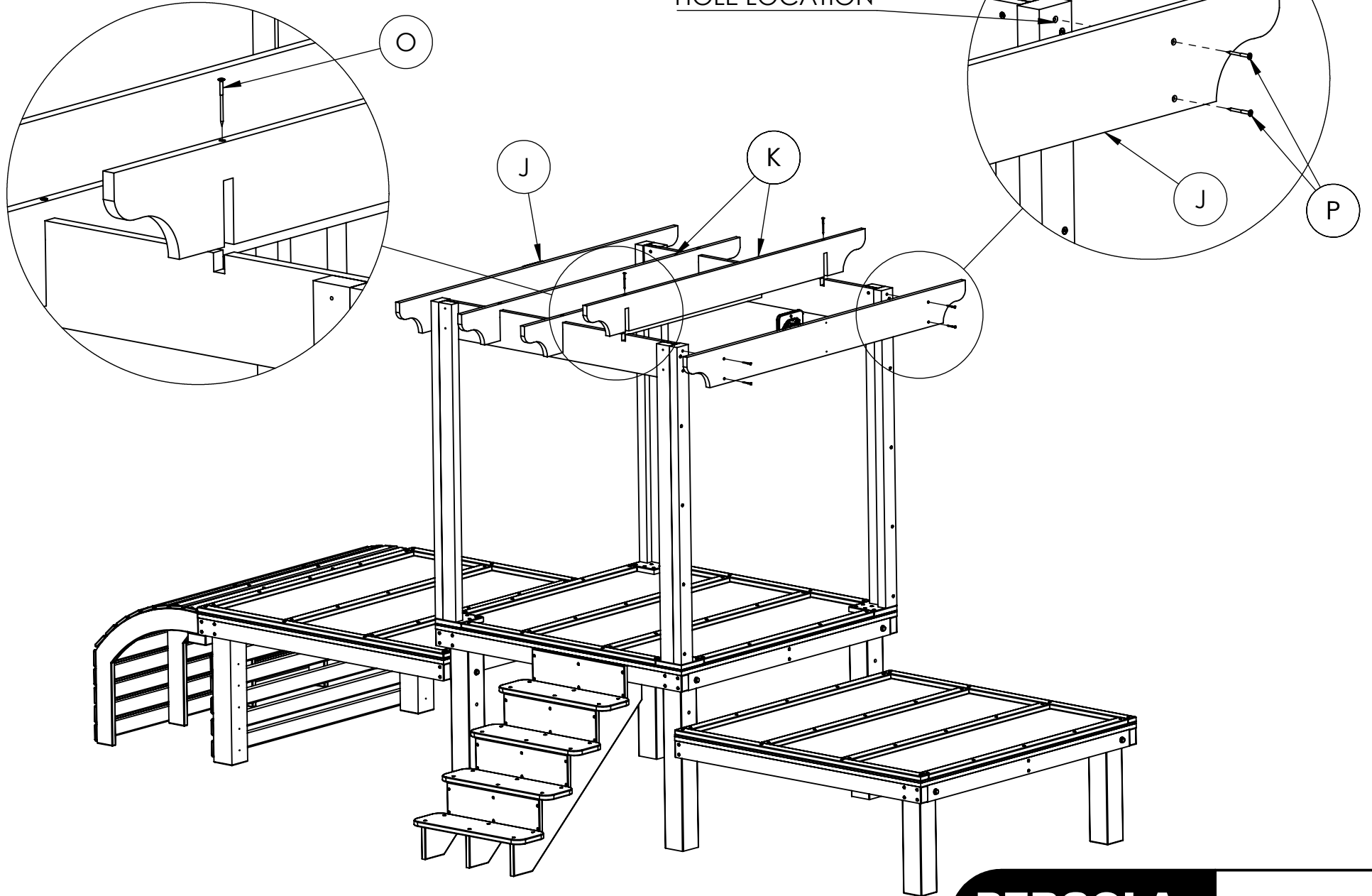


INSTRUCTIONS



INSTRUCTIONS

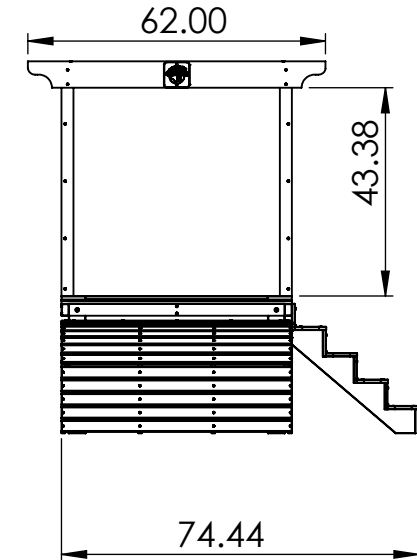
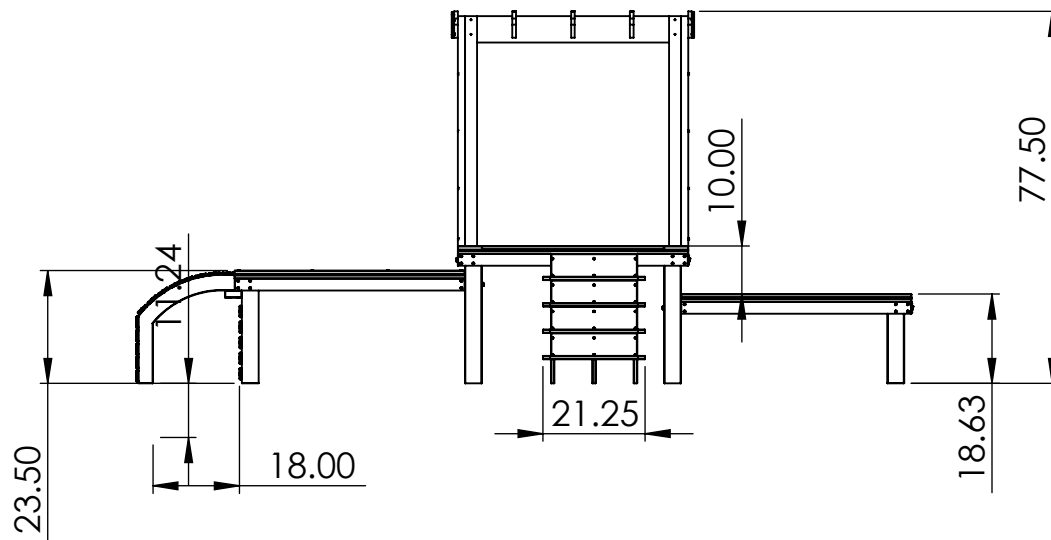
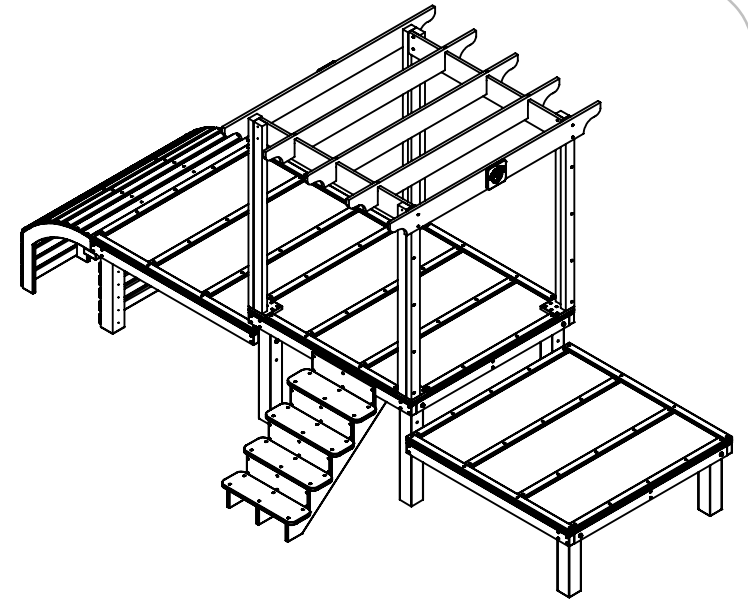
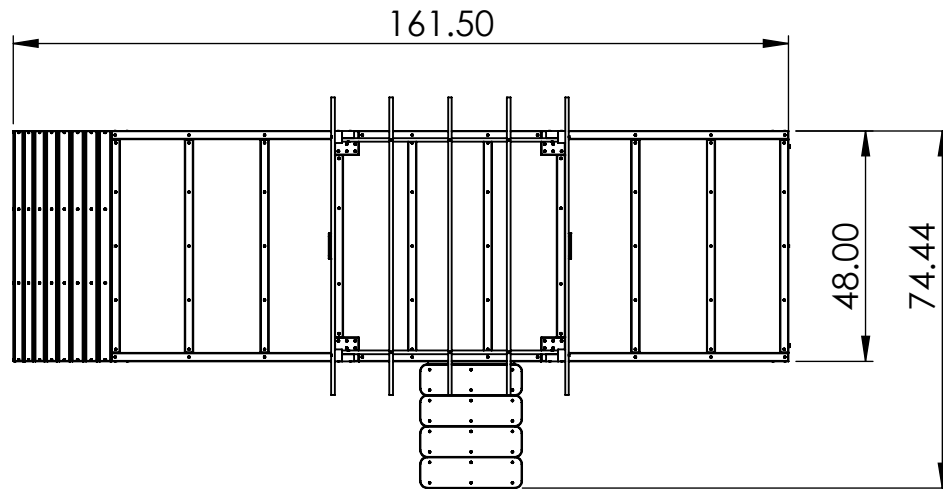
PRE-MARKED
HOLE LOCATION



**PERGOLA
SLATS**

11/12

SPECIFICATIONS



CONSTRUCTION MATERIALS:
Recycled Plastic
HARDWARE:
Stainless Steel

ALL DIMENSIONS SHOWN IN INCHES