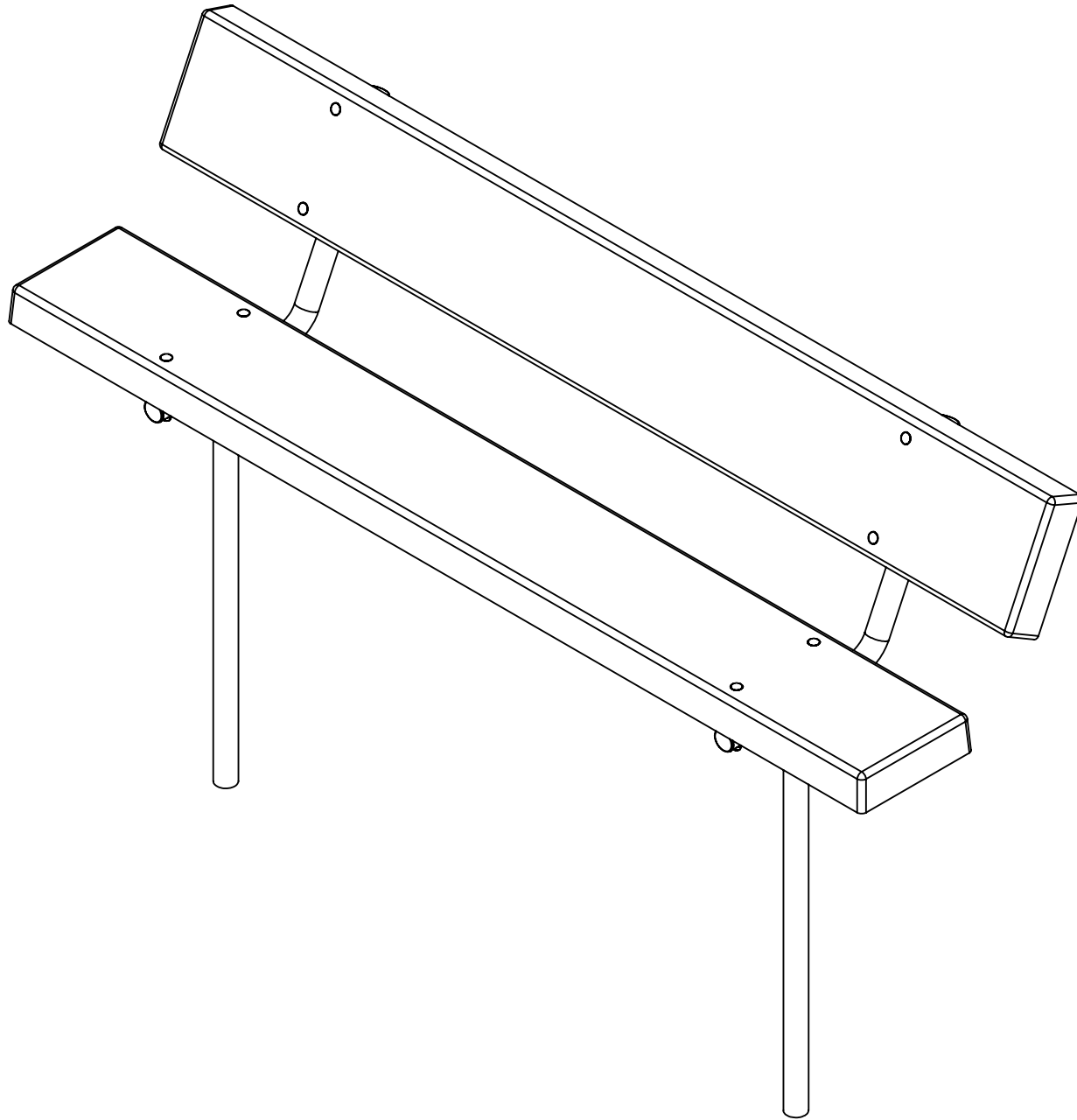


BENCH INSTRUCTIONS

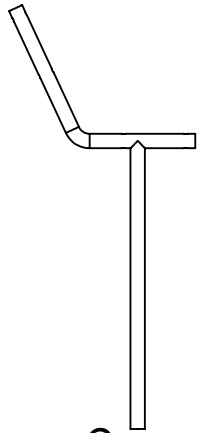
BM1125

REV# 1

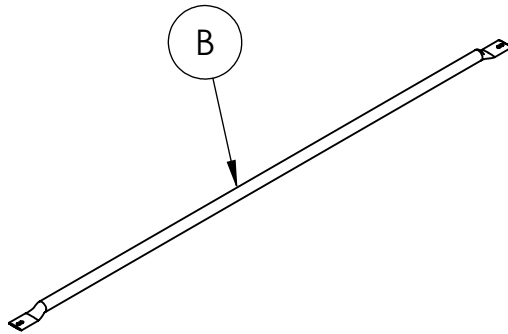


BENCH INSTRUCTIONS

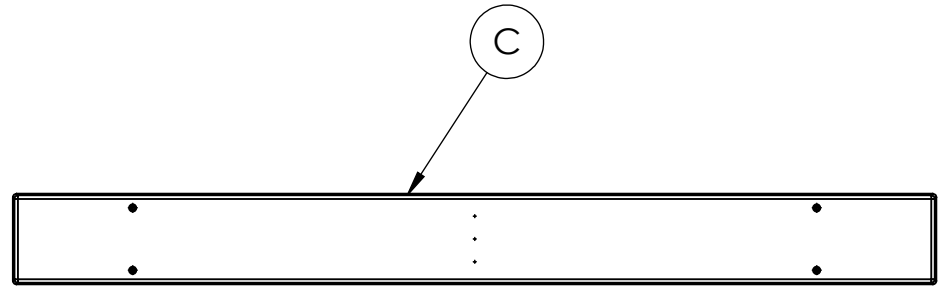
BM1125



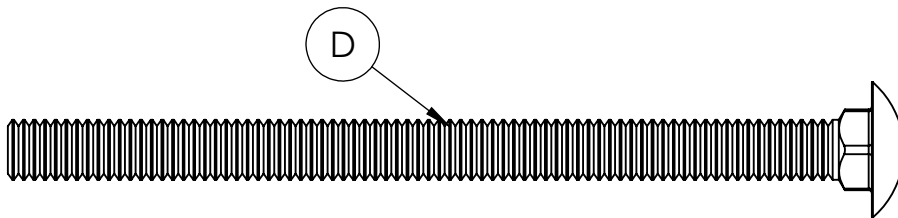
2
STEEL BENCH END



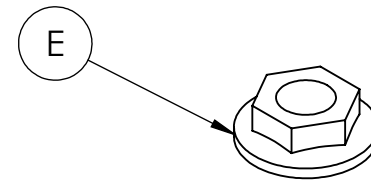
3
STEEL TUBE SUPPORT



2
PLASTIC BOARD



8
4-1/2" X 5/16" CARRIAGE BOLT



8
5/16" FLANGE NUT

REQUIRED TOOLS (NOT INCLUDED)

- 1 - 1/2" WRENCH
- 1 - 1/2" SOCKET

NOTE: IT IS IMPORTANT TO KEEP ALL BOLTS FINGER TIGHT DURING ASSEMBLY UNTIL ENTIRE TABLE IS ASSEMBLED

**HARDWARE &
TOOLS REQUIRED
FOR ASSEMBLY**

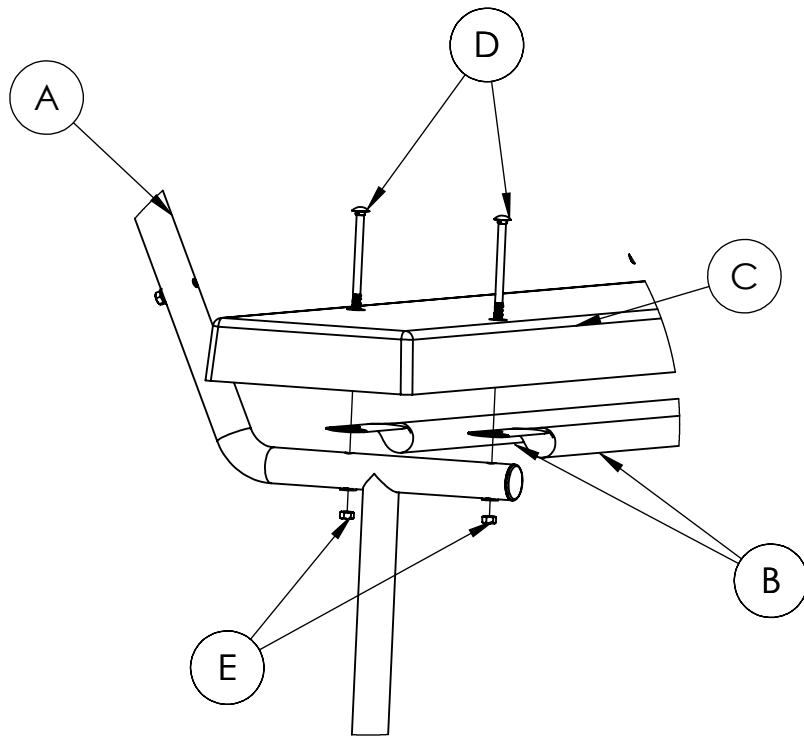
2/3

BENCH INSTRUCTIONS

BM1125

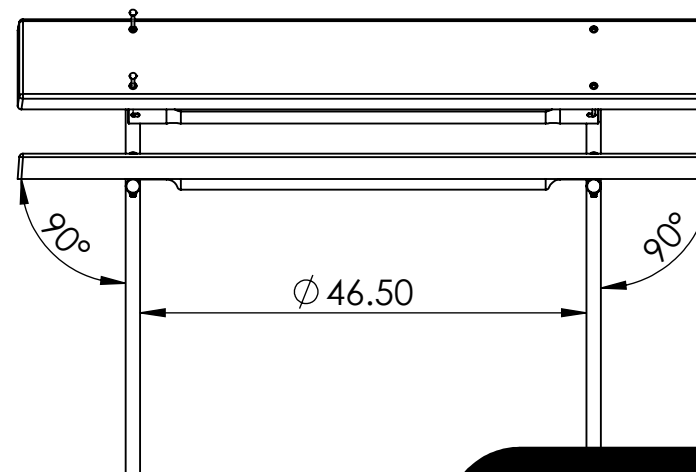
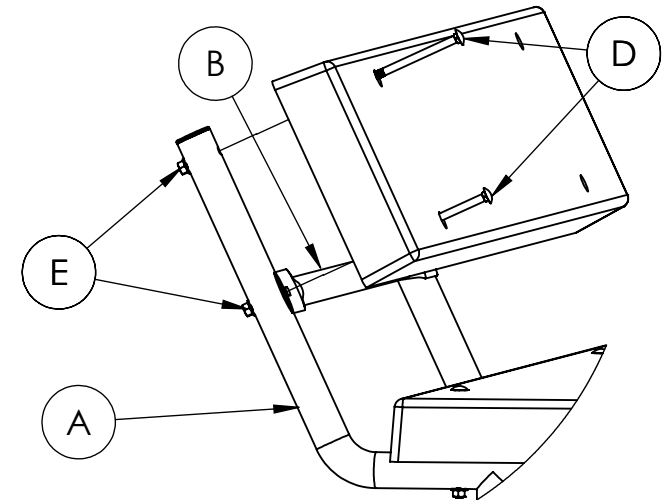
STEP 1 Seat Assembly

- Attach a board (C) to the steel bench end (A) using two 4-1/2" x 5/16" carriage bolts (D)
- Place bolt through board (C), support tube (B), and steel bench end (A)
- Hand tighten with 5/16" flange nut (E)
- Repeat on opposite bench end



STEP 2 Attach the Backrest

- In the lower hole, insert a 4-1/2" x 5/16" carriage bolt (D) through board (C), steel support tube (B), and the steel bench end (A)
- Attach with 5/16" flange nut (E)
- Repeat this procedure on the lower hole in the opposite steel bench end (A)
- In the upper hole, insert a 4-1/2" x 5/16" carriage bolt (D) through the plastic board (C) and steel bench end (A)
- Attach with a 5/16" flange nut (E)
- Square all parts and tighten all hardware

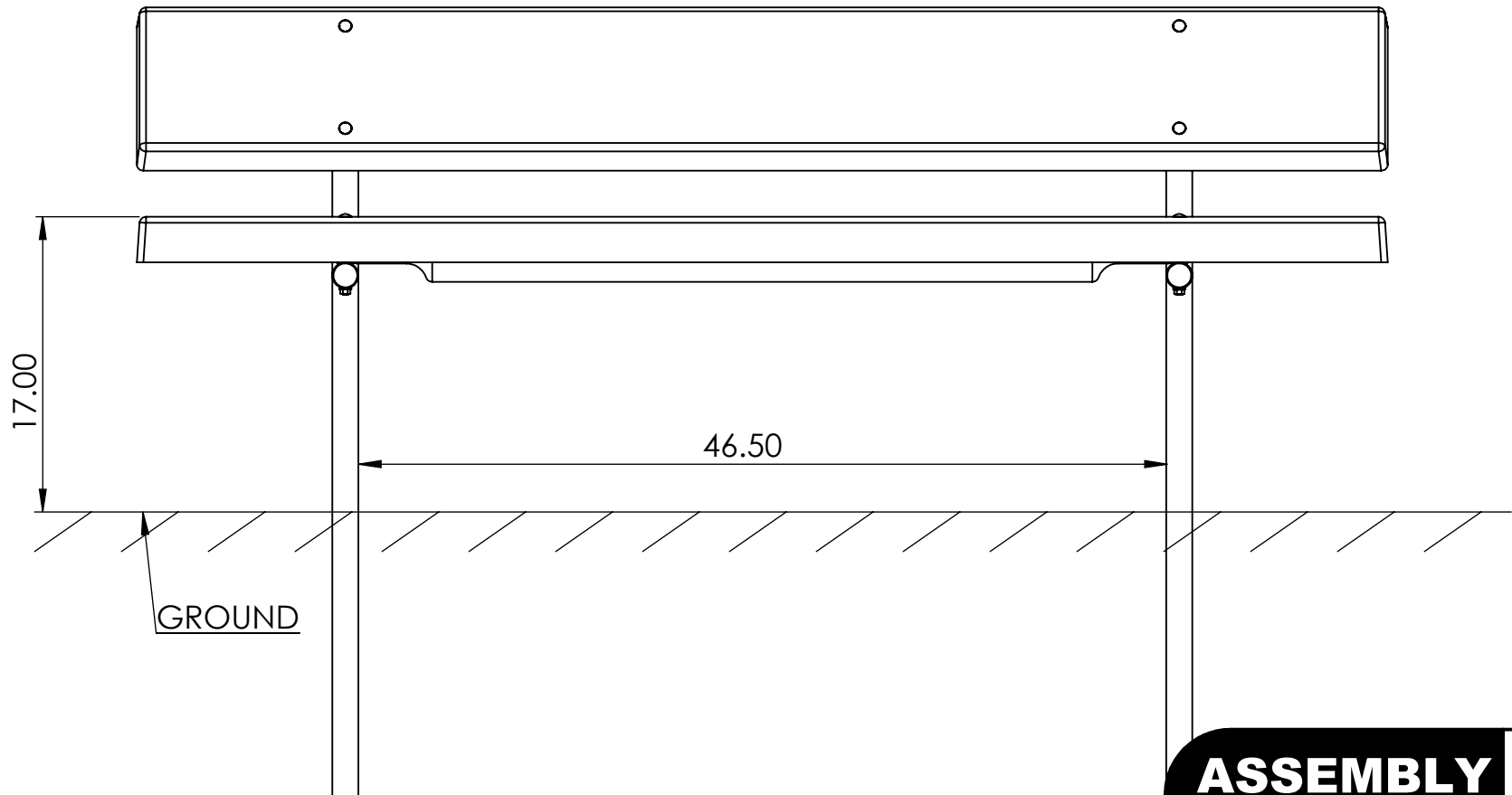


BENCH INSTRUCTIONS BM1125

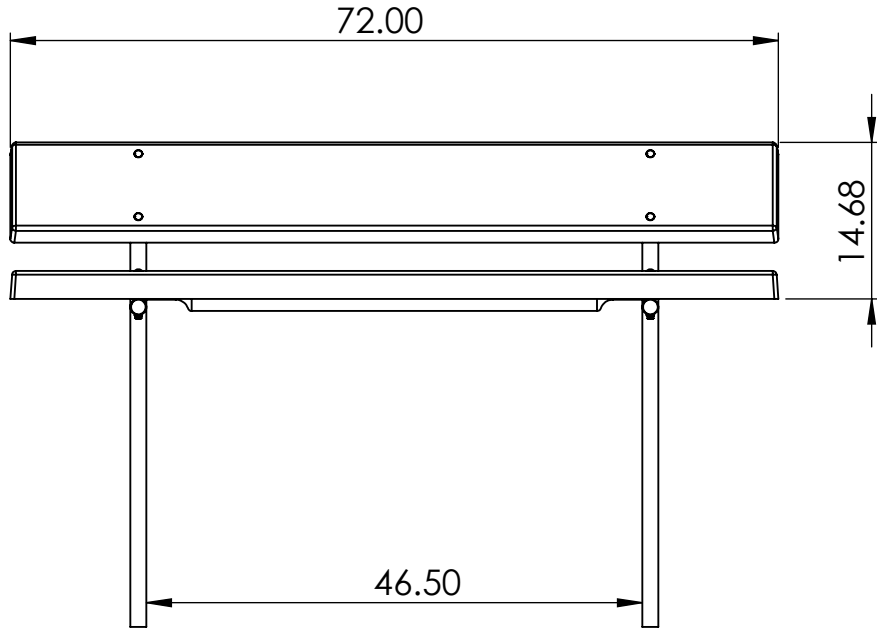
STEP 3 Inground mount

- Dig two holes 16 inches deep by 12 inches in diameter
- Place assembled bench into holes
- Check seat height. Top of seat should be about 17 inches above the ground
- Check to see that seat and posts are level
- Fill the holes with concrete

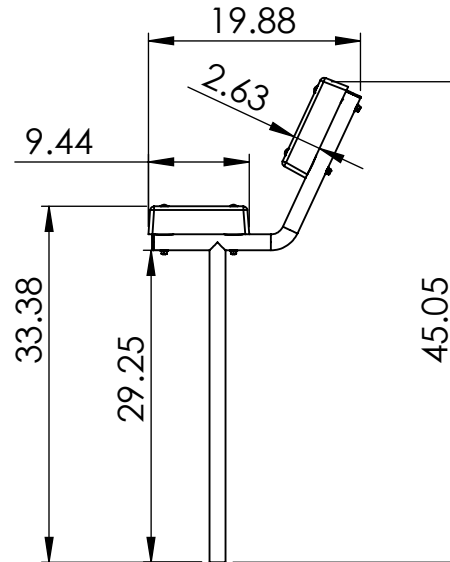
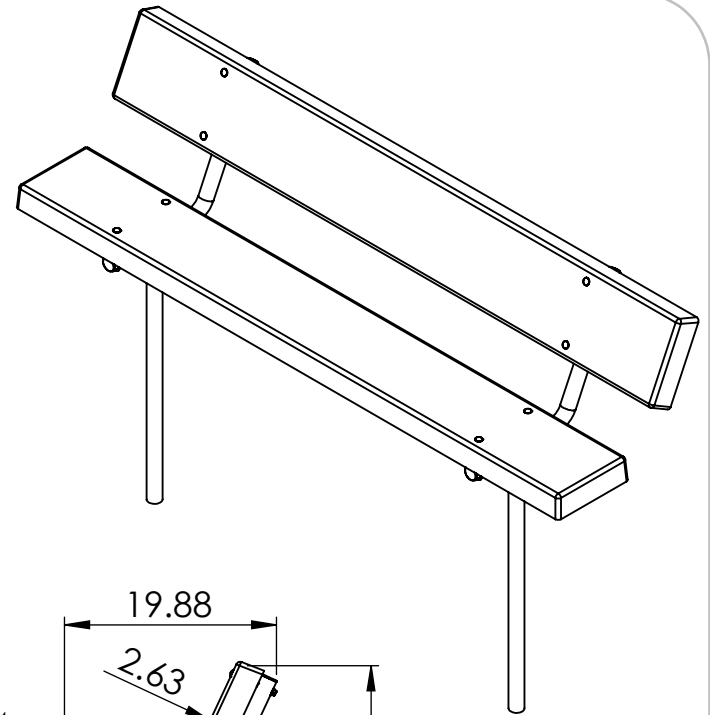
Note: You may have to attach guide wires or some other form of support to keep the bench level until the concrete hardens.



BENCH SPECIFICATIONS BM1125



FRONT



SIDE

CONSTRUCTION MATERIALS:
FRAME - 1.50" OD STEEL TUBE
SEAT SUPPORT - 1.25" OD STEEL TUBE
SEAT & BACK - PLASTIC
HARDWARE:
ZINC PLATED

ALL DIMENSIONS ARE SHOWN IN INCHES