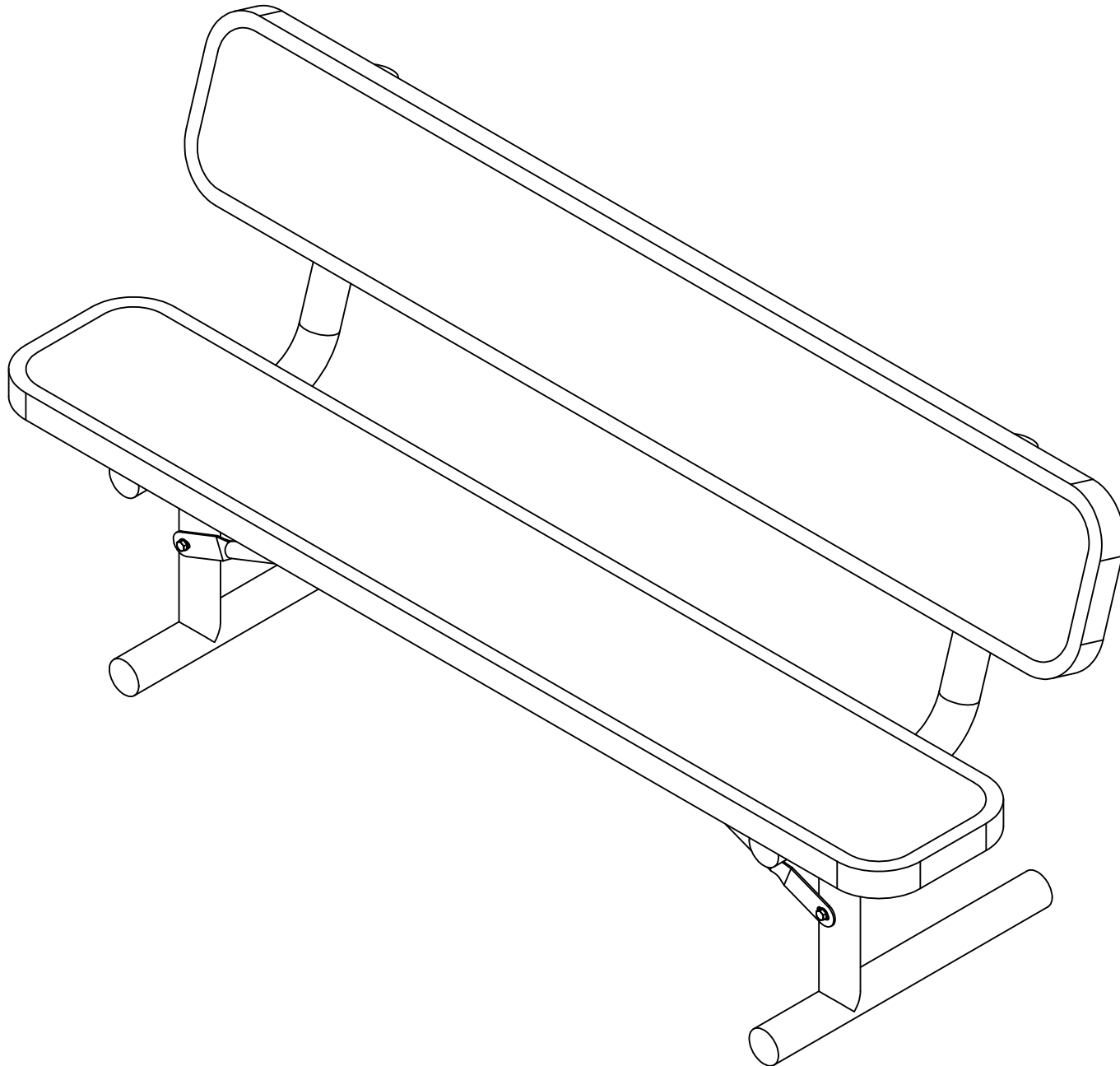
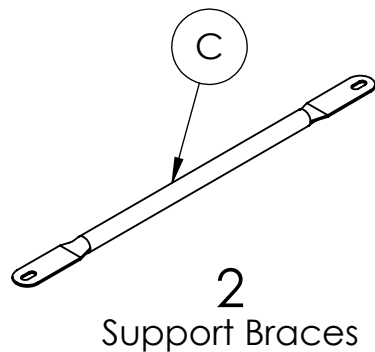
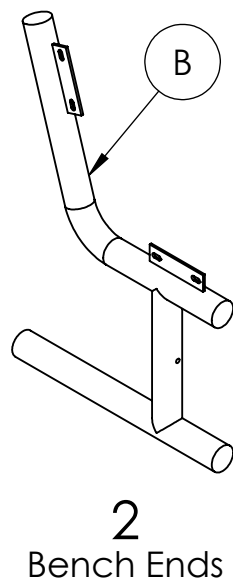
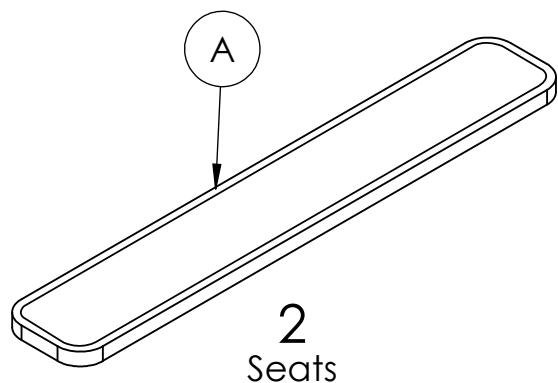


INSTRUCTIONS

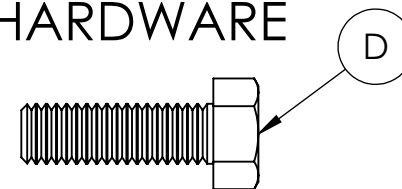
6 FT & 8 FT Portable Benches



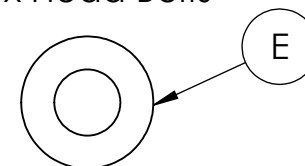
INSTRUCTIONS



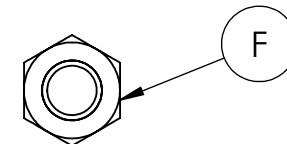
HARDWARE



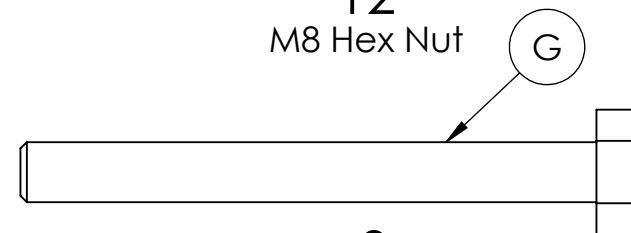
10
M8 x 25
Hex Head Bolts



22
M8 Flat Washer



12
M8 Hex Nut



2
M8 x 75
Hex Head Bolts

**REQUIRED TOOLS
(NOT INCLUDED)**
1 - 13MM WRENCH
1 - 13MM SOCKET

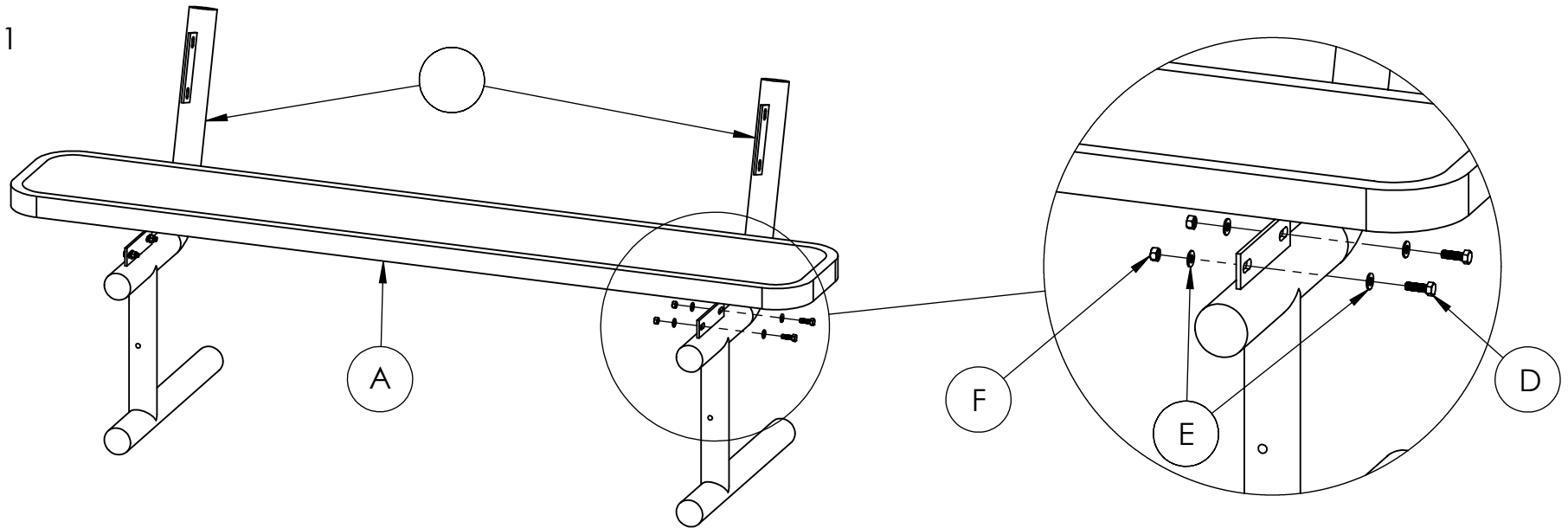
NOTE: IT IS IMPORTANT TO KEEP ALL BOLTS FINGER TIGHT DURING ASSEMBLY UNTIL ENTIRE UNIT IS ASSEMBLED

**HARDWARE &
TOOLS REQUIRED
FOR ASSEMBLY**

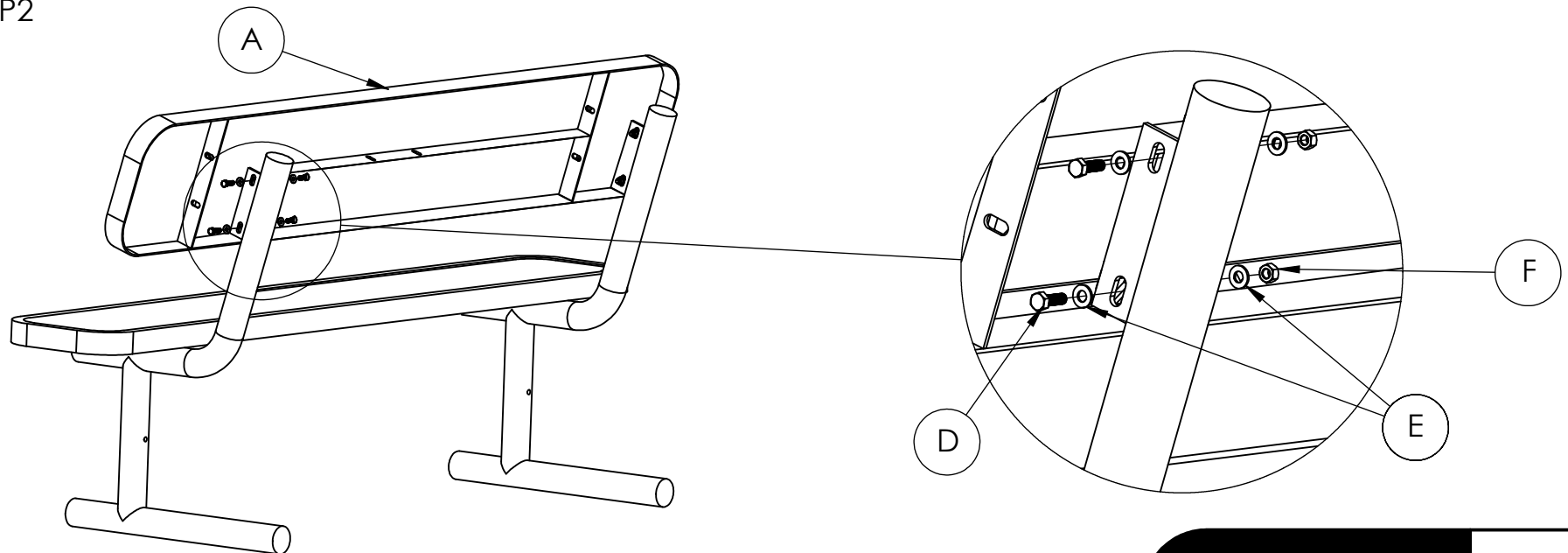
2/4

INSTRUCTIONS

STEP 1



STEP 2

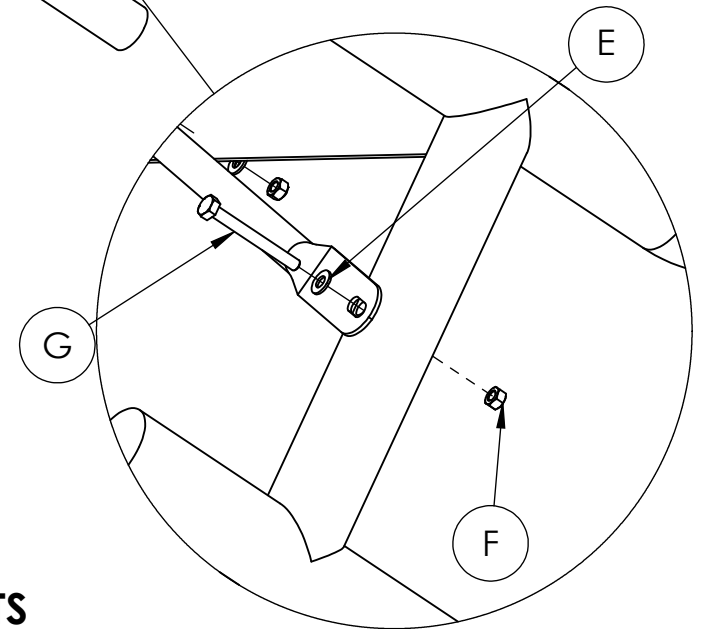
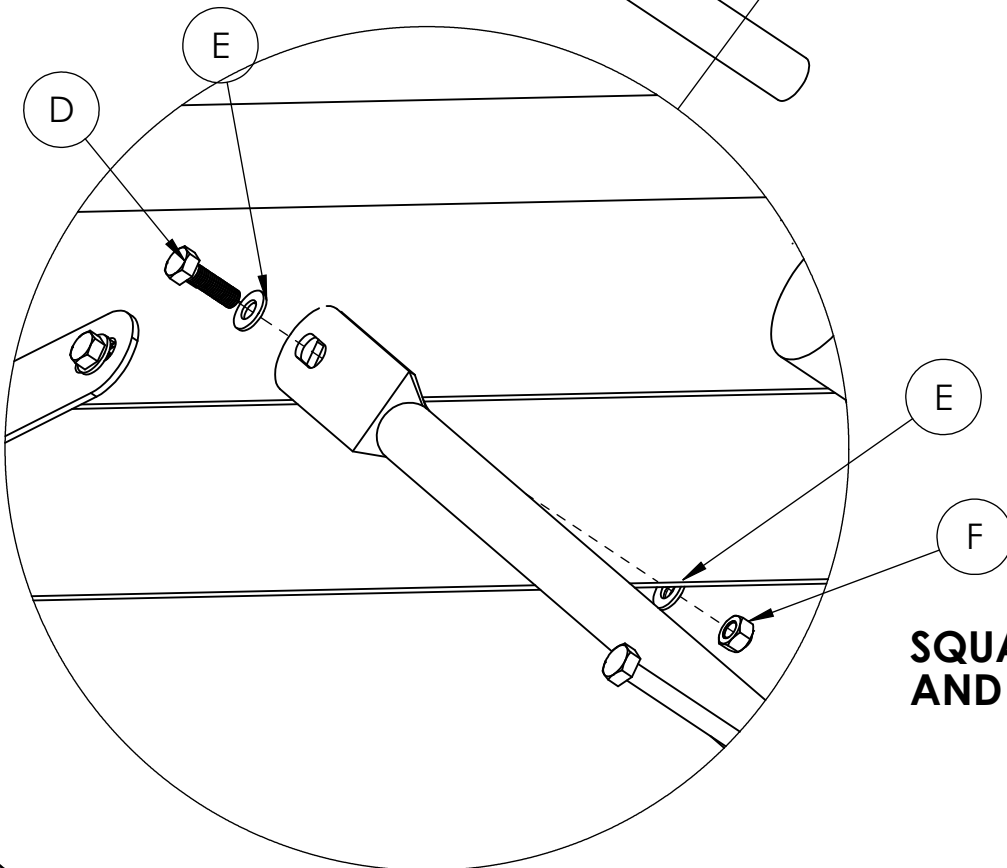
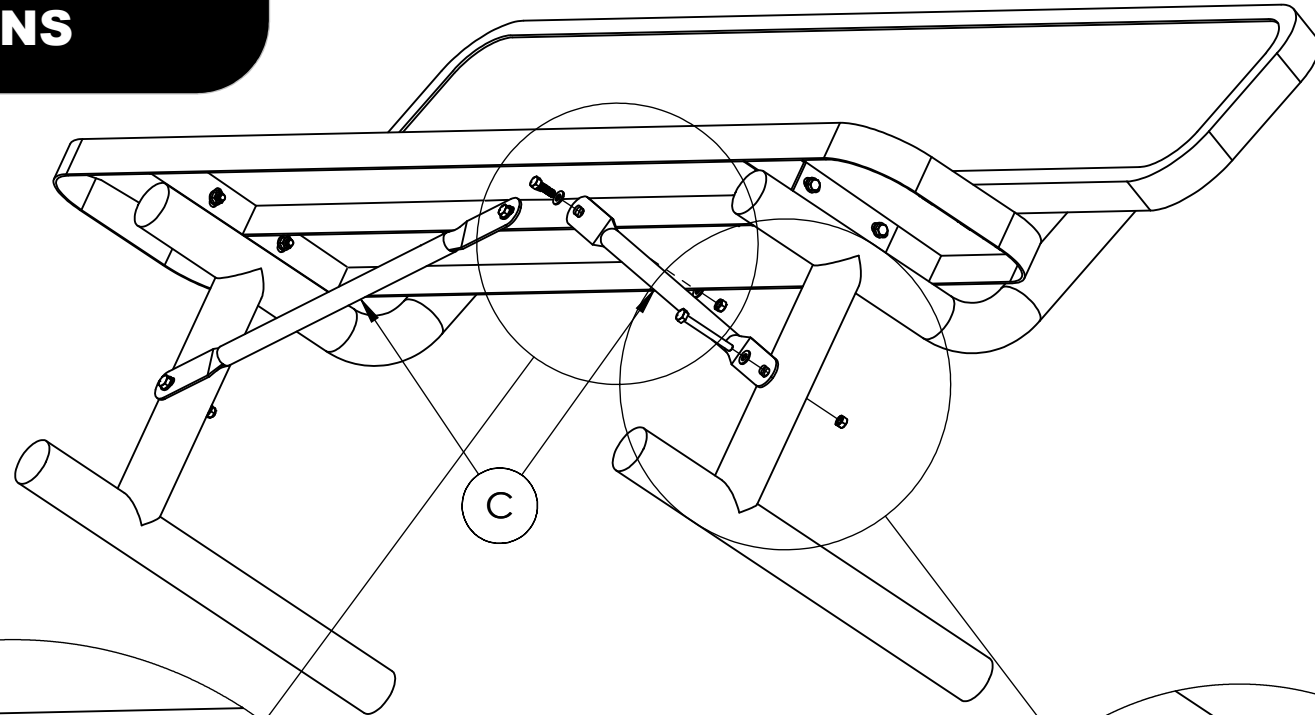


**ATTACH SEATS
TO BENCH ENDS**

3/4

INSTRUCTIONS

STEP 3



**SQUARE ALL PARTS
AND TIGHTEN ALL HARDWARE**

**ATTACH
ANGLED
SUPPORTS**

4/4