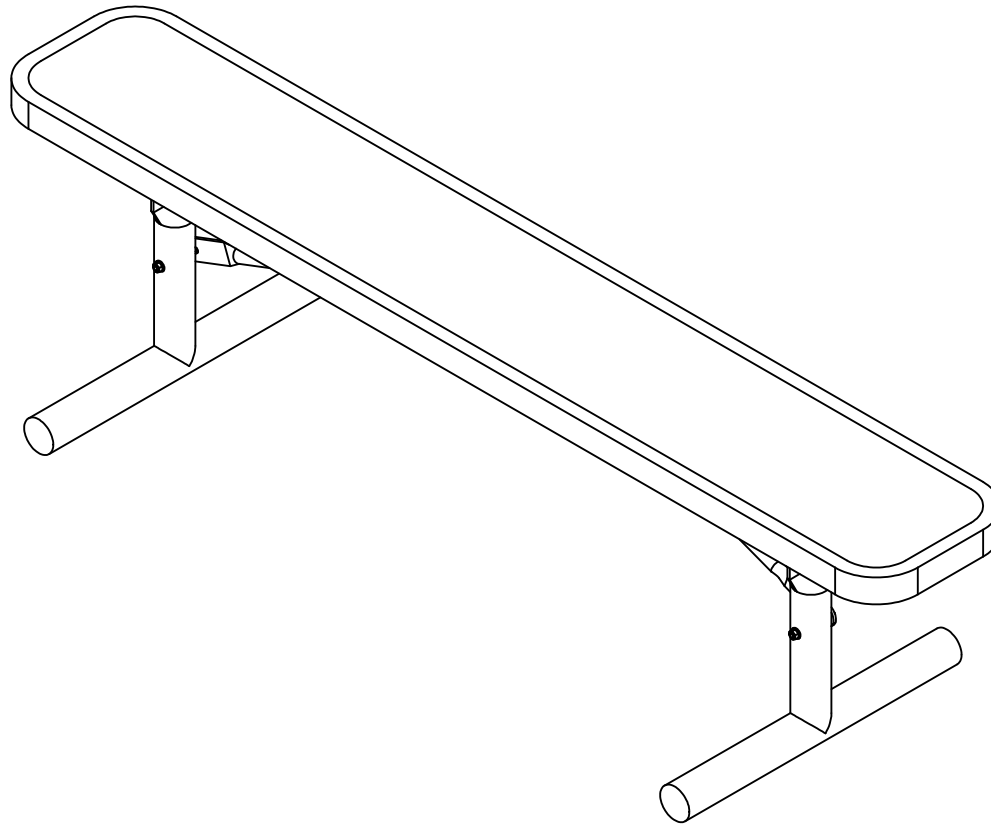
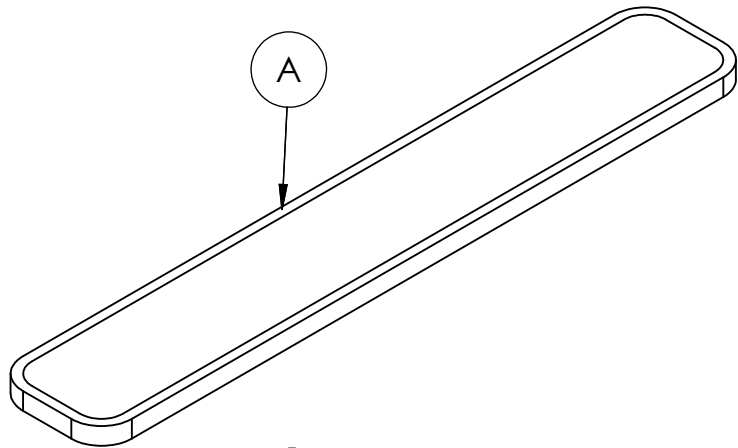


INSTRUCTIONS

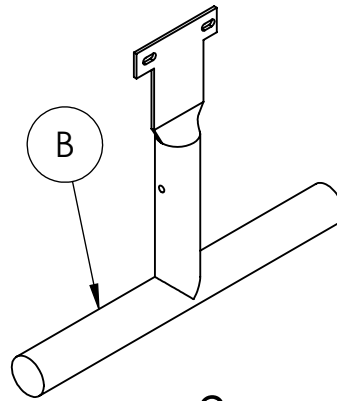
6 FT & 8 FT Backless Portable Bench



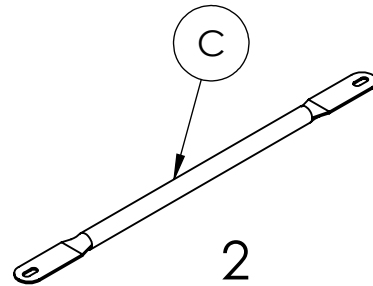
INSTRUCTIONS



1
Seat

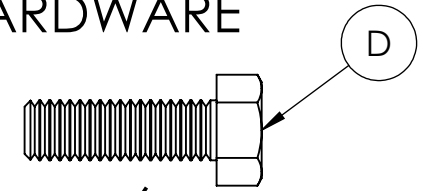


2
Bench Ends

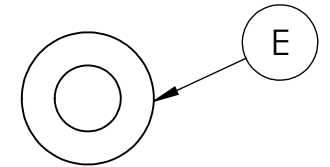


2
Support Braces

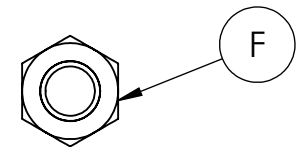
HARDWARE



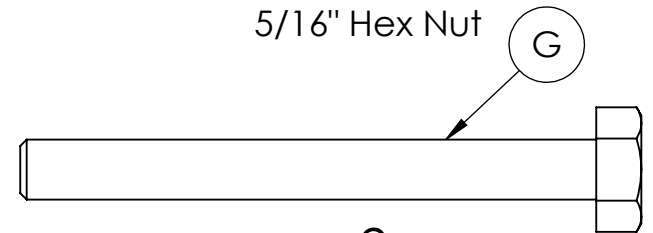
6
M8 x 25
Hex Head Bolts



14
M8 Flat Washer



8
5/16" Hex Nut



2
M8 x 75
Hex Head Bolts

REQUIRED TOOLS (NOT INCLUDED)

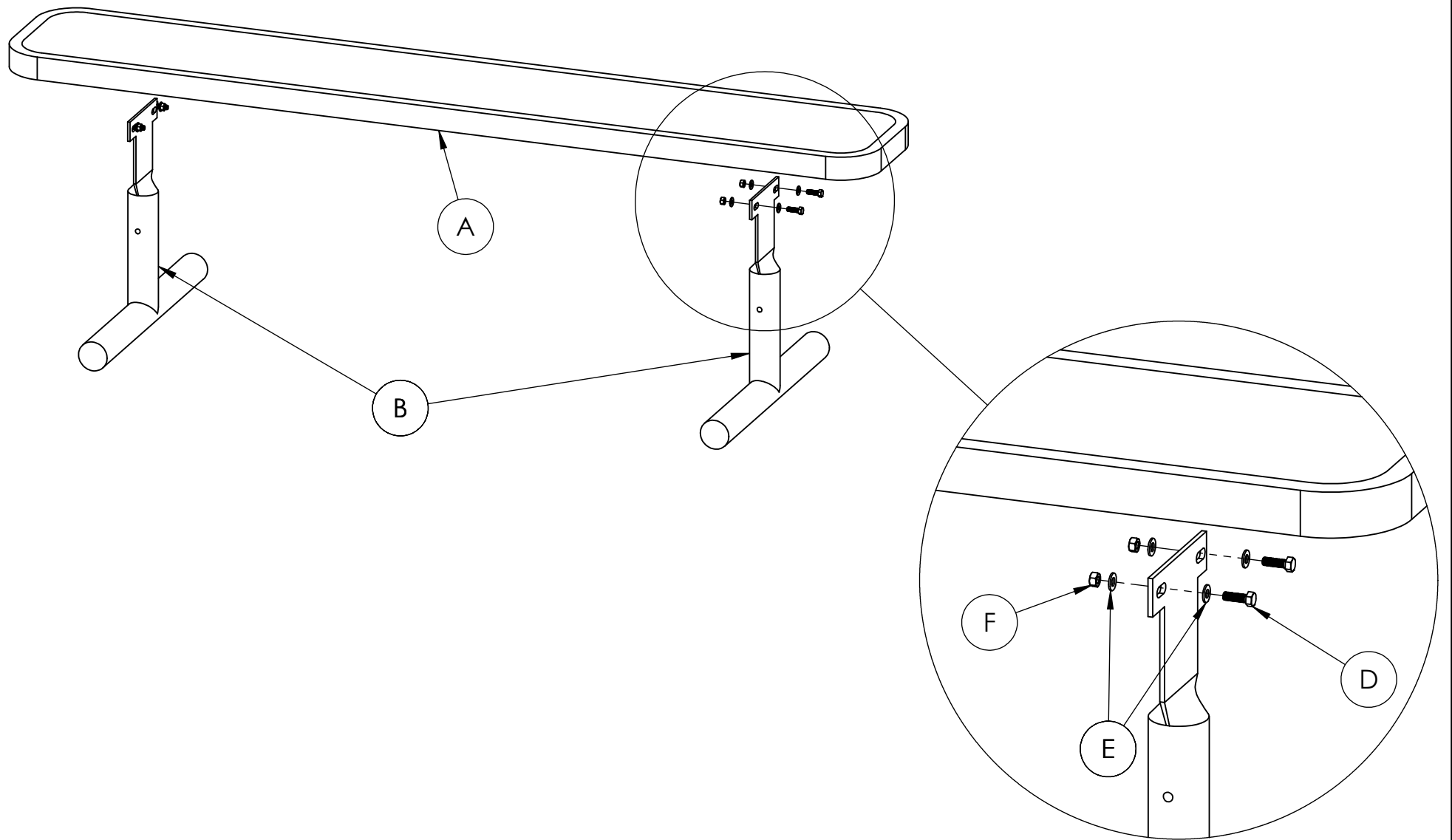
- 1 - 13MM WRENCH
- 1 - 13MM SOCKET

NOTE: IT IS IMPORTANT TO KEEP ALL BOLTS FINGER TIGHT DURING ASSEMBLY UNTIL ENTIRE UNIT IS ASSEMBLED

**HARDWARE &
TOOLS REQUIRED
FOR ASSEMBLY**

2/4

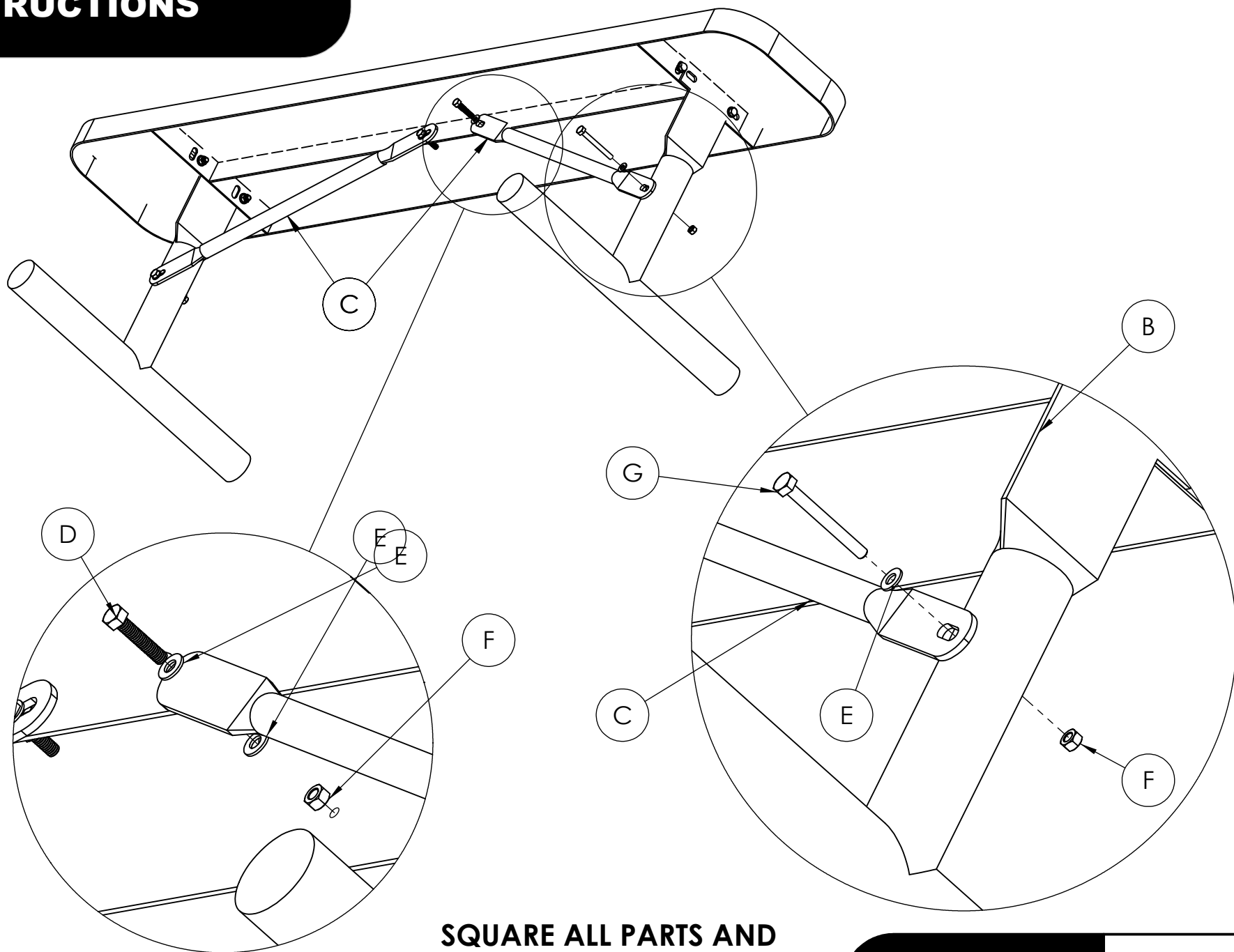
INSTRUCTIONS



**ATTACH SEATS
TO BENCH
ENDS**

3/4

INSTRUCTIONS



**SQUARE ALL PARTS AND
TIGHTEN ALL HARDWARE**

**ATTACH
SUPPORT
BRACES**

4/4