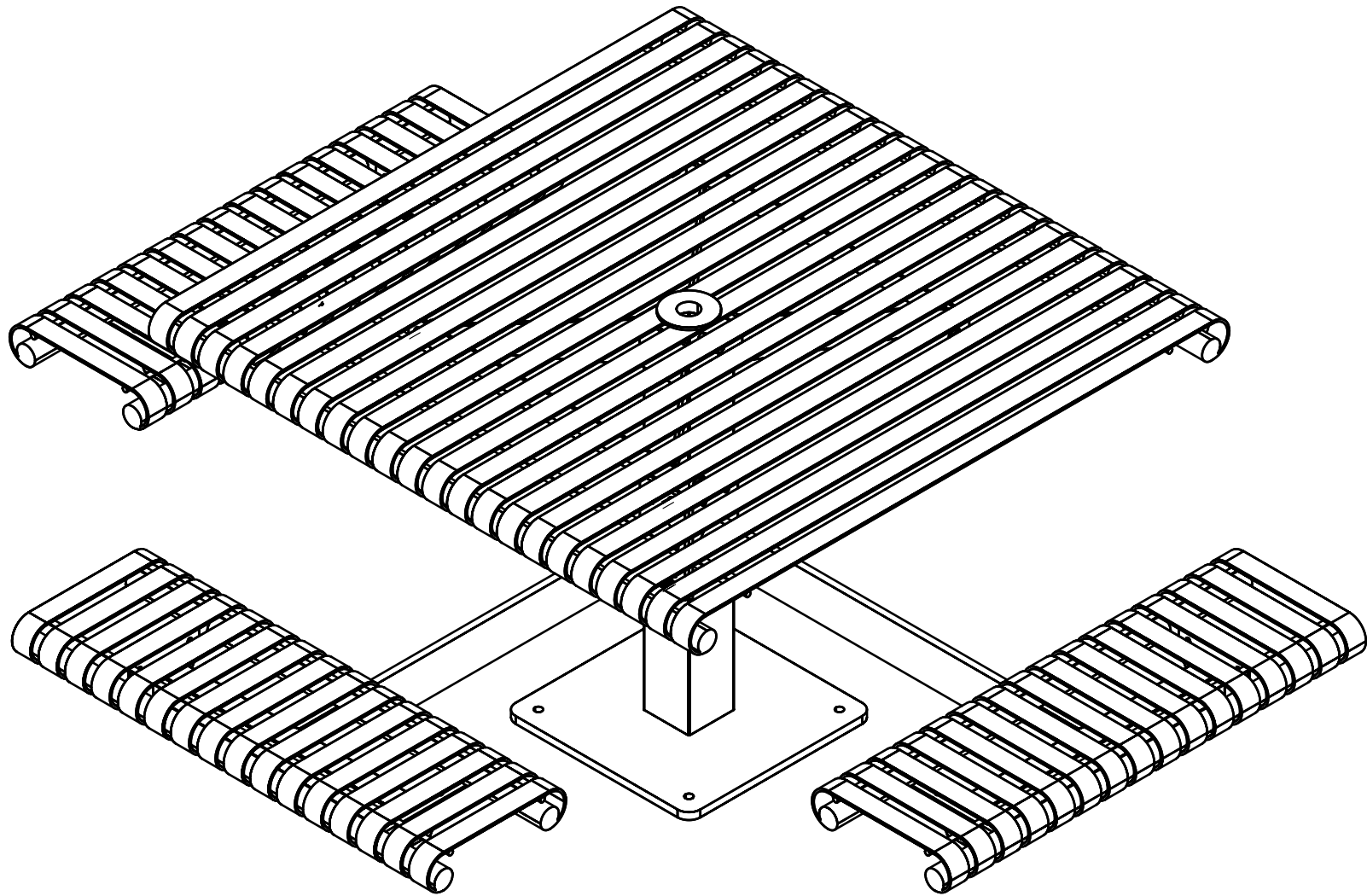


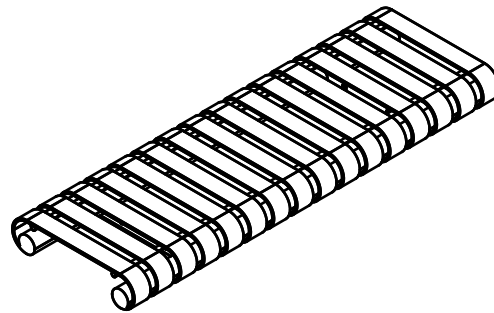
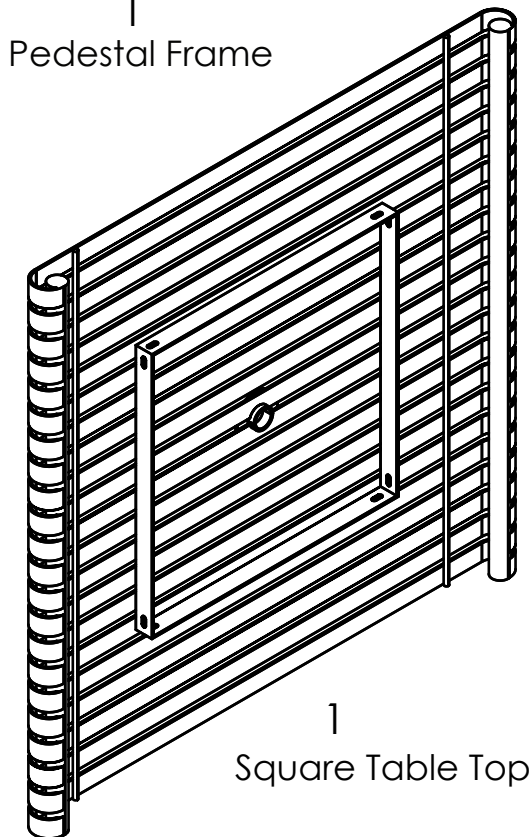
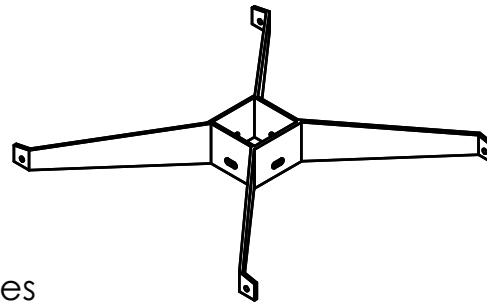
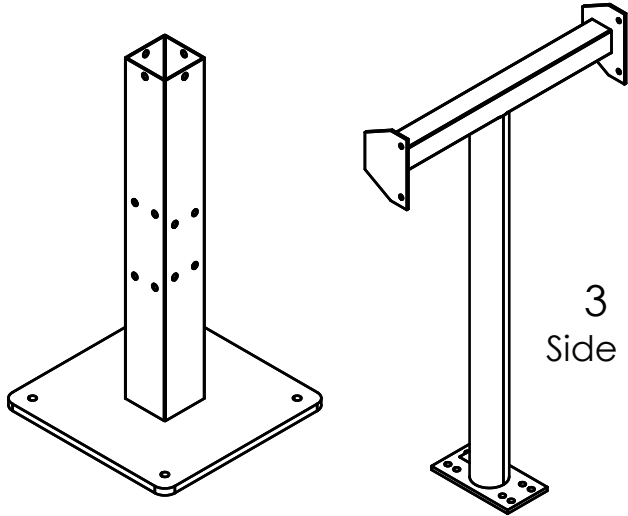
INSTRUCTIONS

Steel Slat Pedestal ADA Table

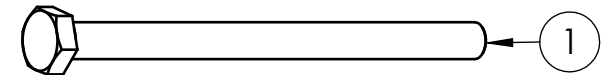


INSTRUCTIONS

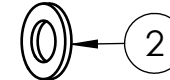
COMPONENTS



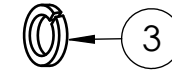
HARDWARE



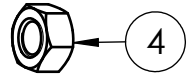
8 PCS
M10 x 135
HEX HEAD BOLTS



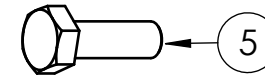
24 PCS
M10
Plain Washers



12 PCS
M10
Lock Washers



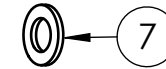
12 PCS
M10
Hex Nuts



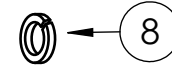
4 PCS
M10 x 30
HEX HEAD BOLTS



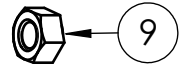
16 PCS
M8 x 30
HEX HEAD BOLTS



32 PCS
M8
Plain Washers



16 PCS
M8
Lock Washers



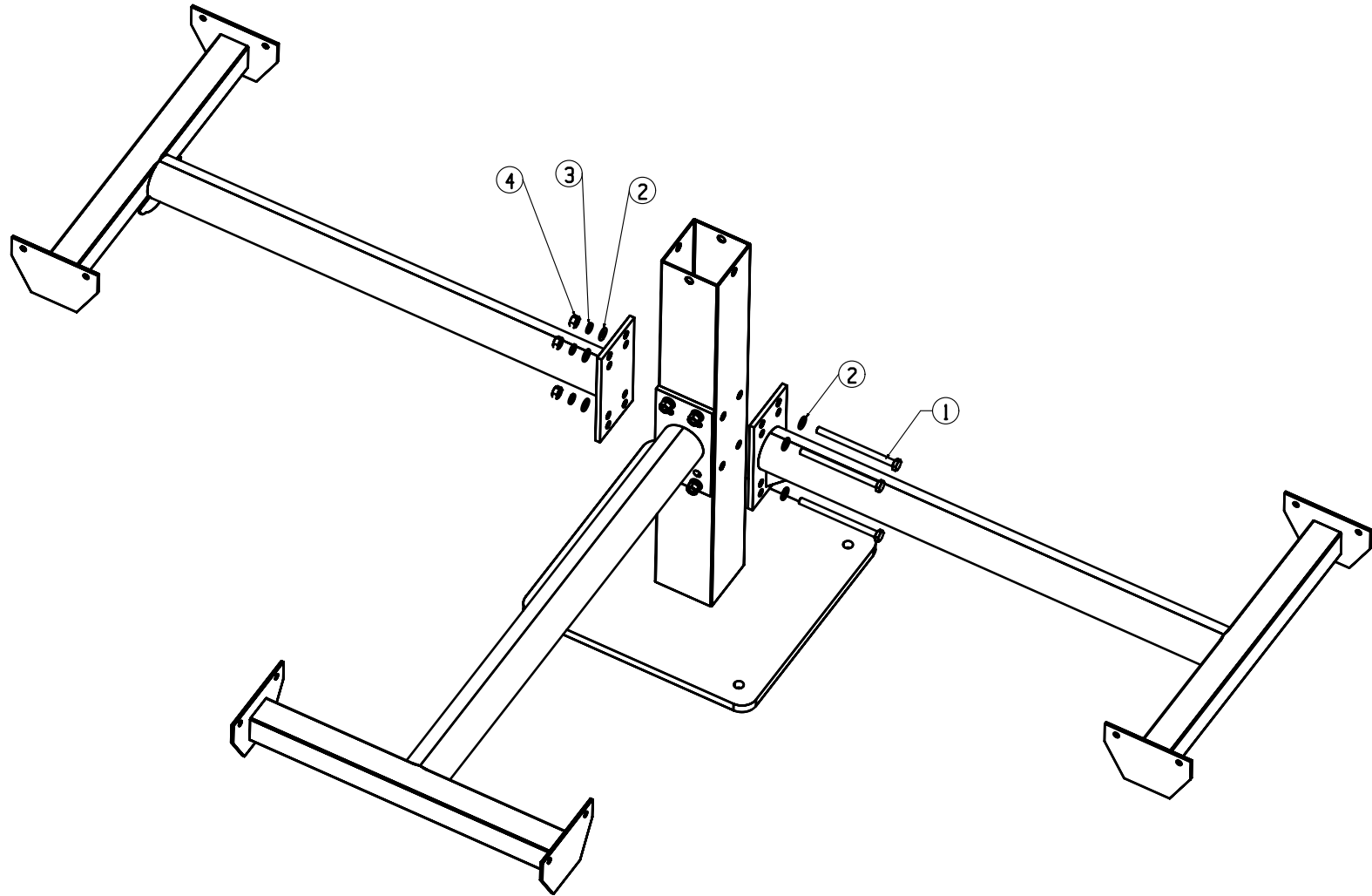
16 PCS
M8
Hex Nuts

NOTE: IT IS IMPORTANT TO KEEP ALL BOLTS FINGER TIGHT DURING ASSEMBLY UNTIL ENTIRE TABLE IS ASSEMBLED

**HARDWARE &
TOOLS REQUIRED
FOR ASSEMBLY**

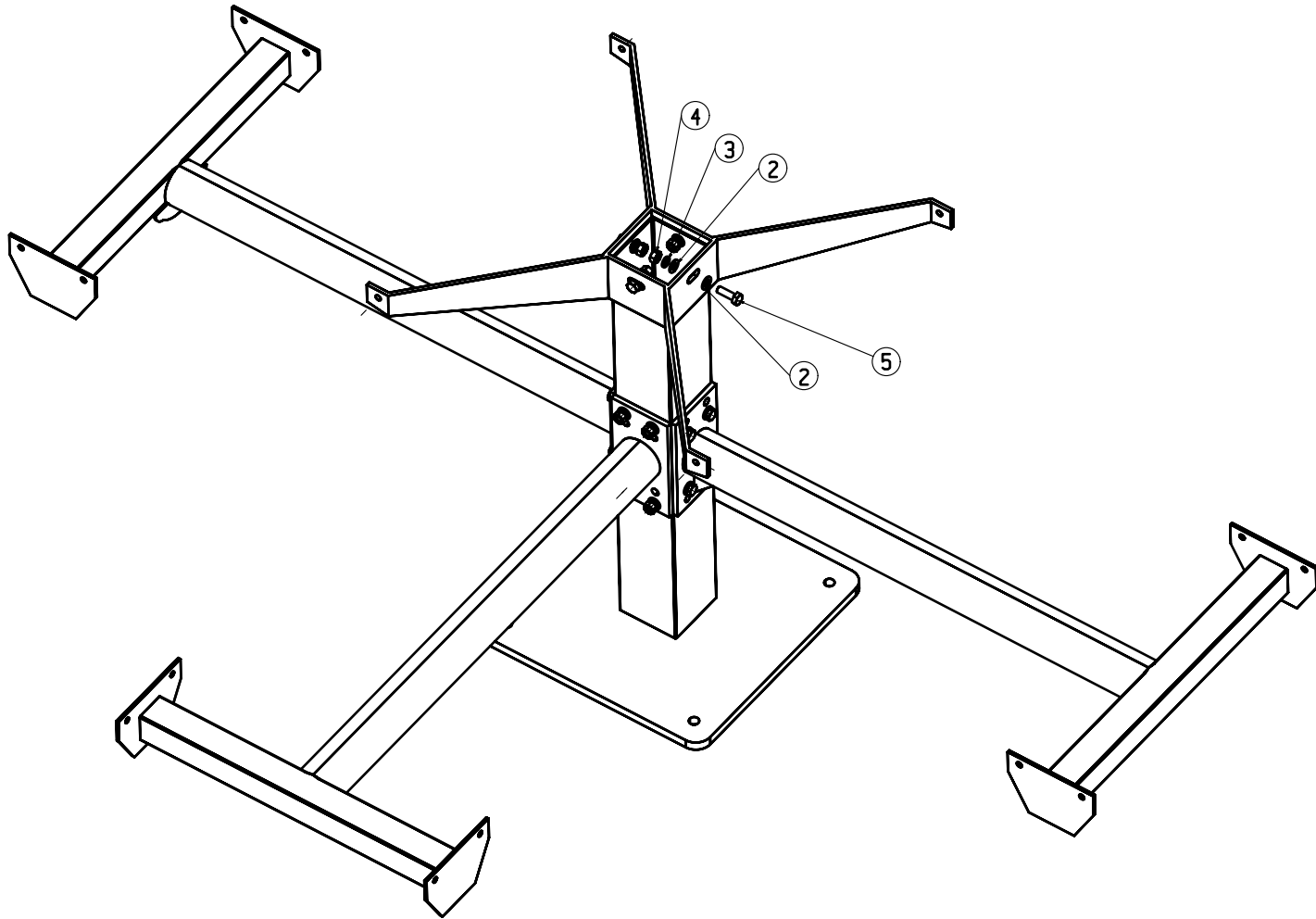
2/6

INSTRUCTIONS



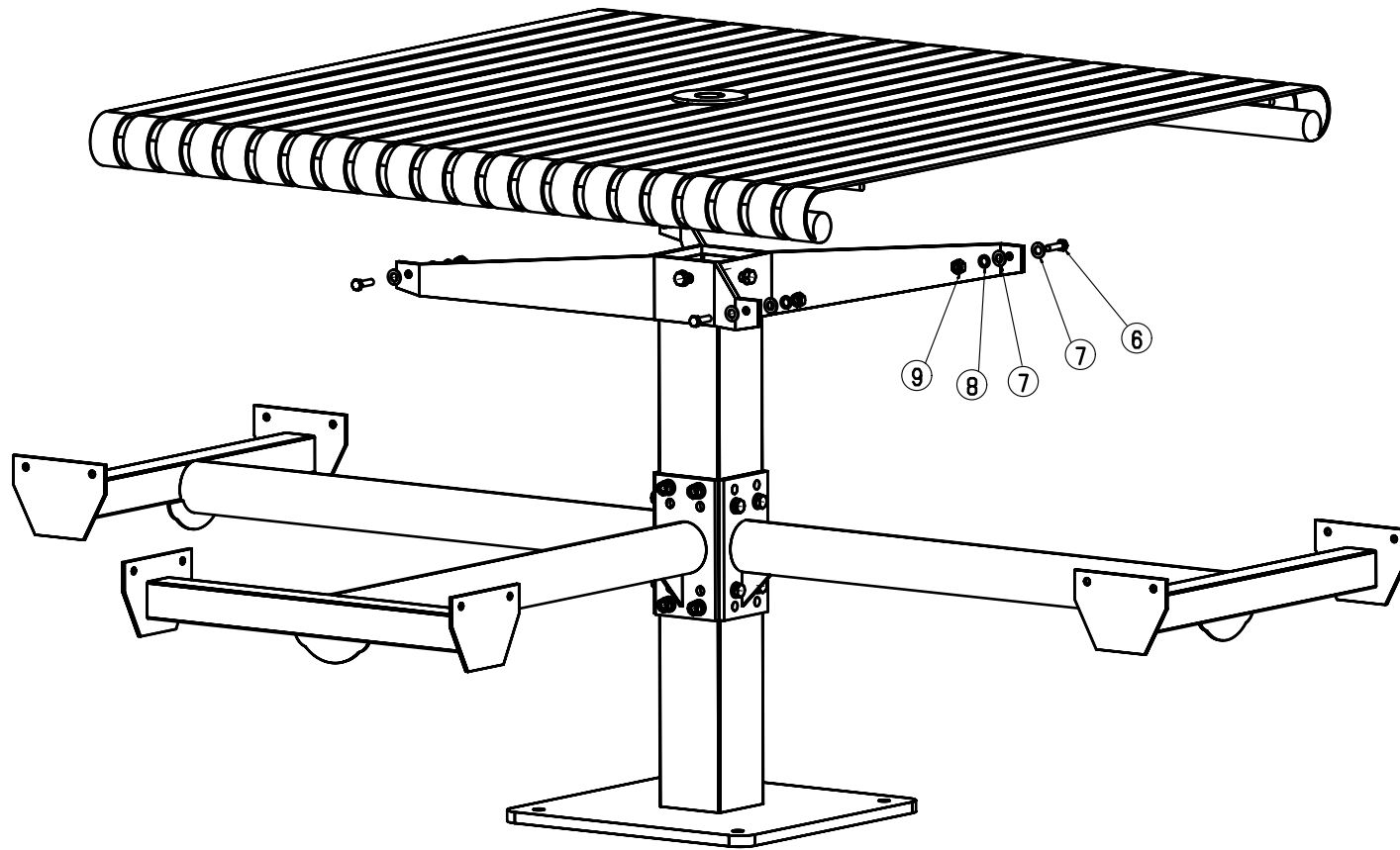
Attached the side frames to the pedestal frame using the specified hardware.

INSTRUCTIONS



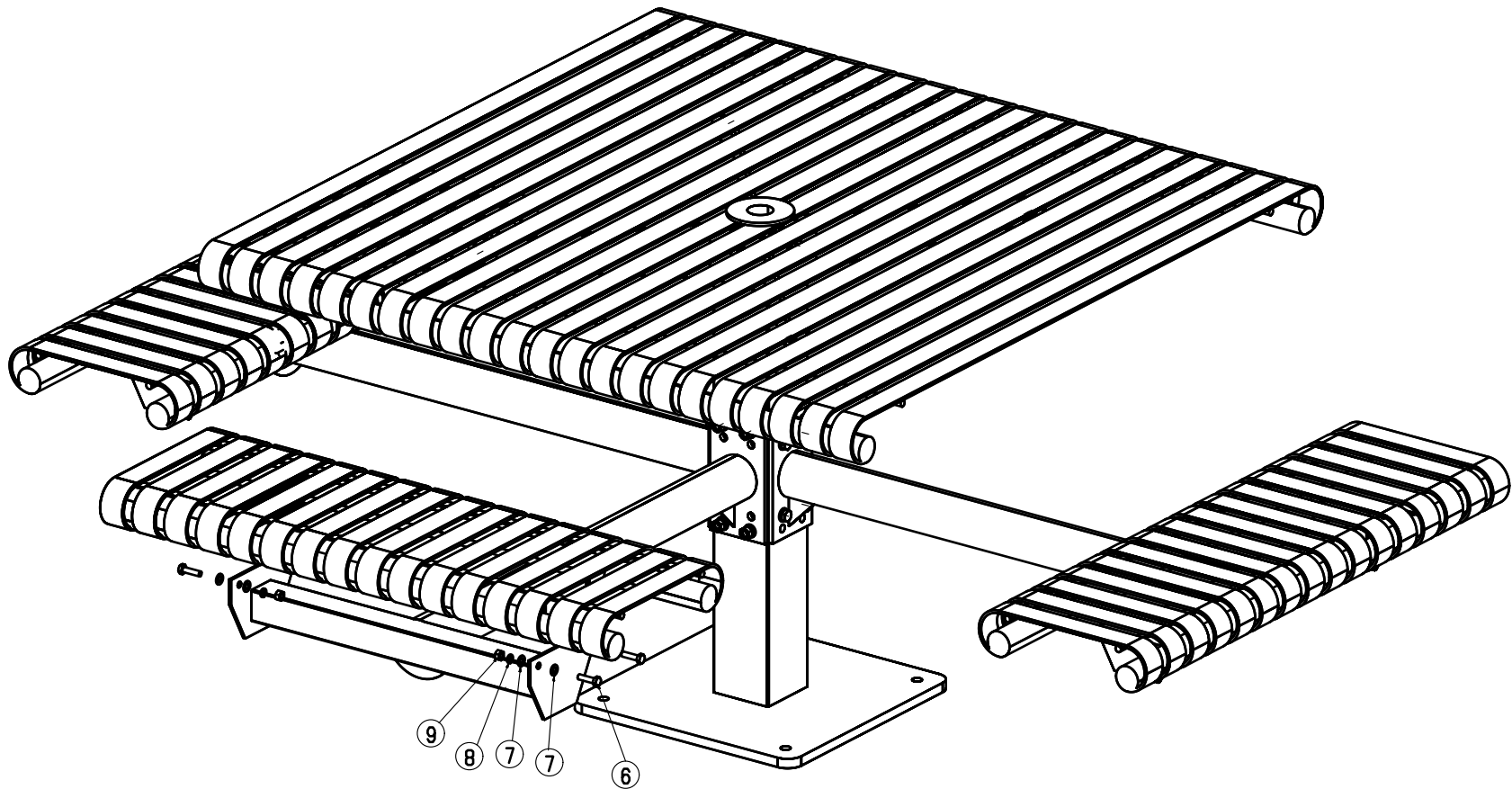
Attached table support bracket to the pedestal frame using the specified hardware.

INSTRUCTIONS



Attach the square table top to the table support bracket using the specified hardware.

INSTRUCTIONS



Attached the seat tops to the side frames using the specified hardware.
Fully tighten all hardware with appropriate wrenches.
IMPORTANT! Make sure to securely mount the table to the ground before use.