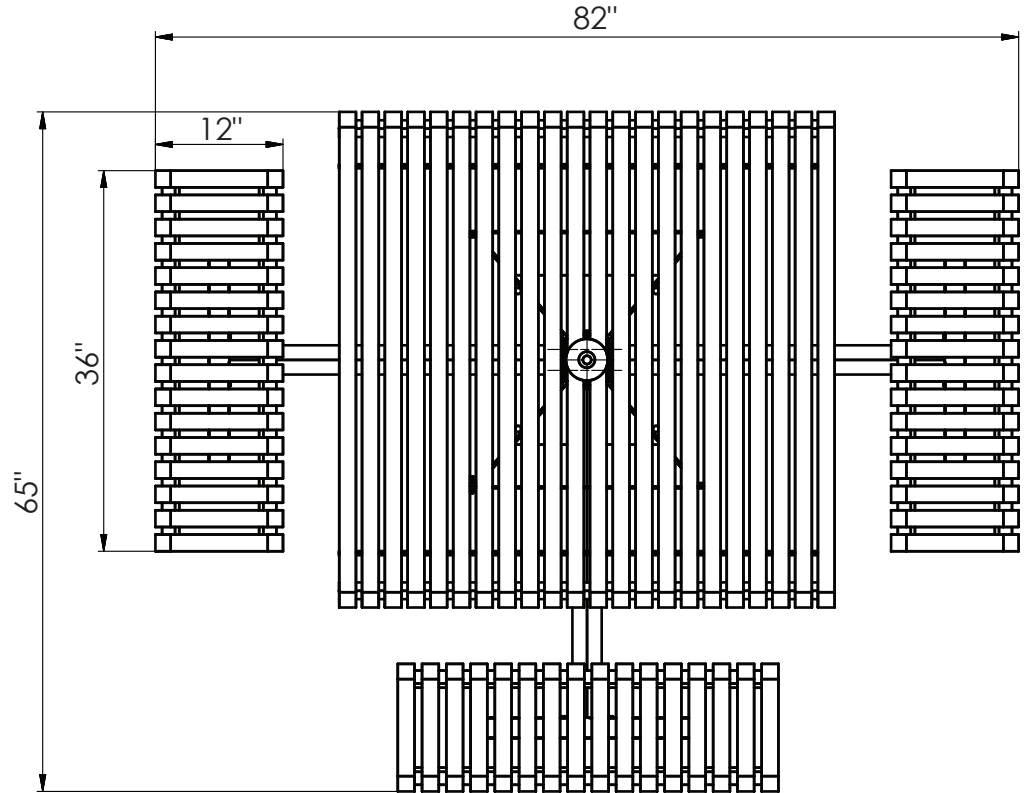
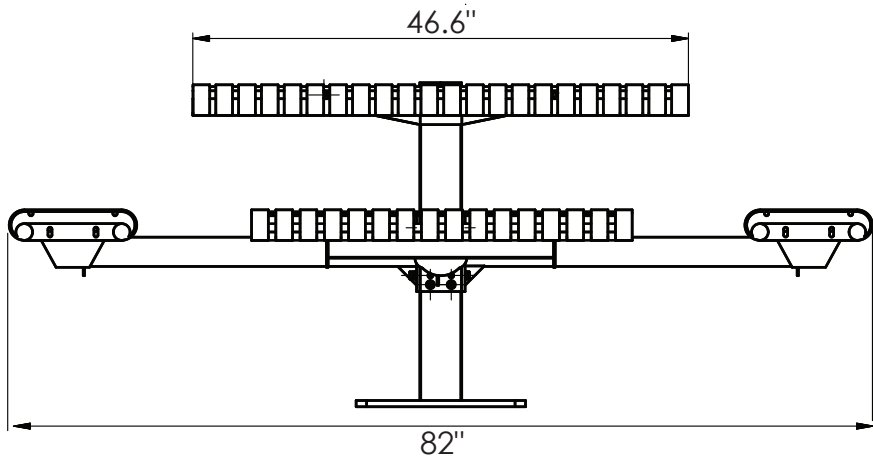
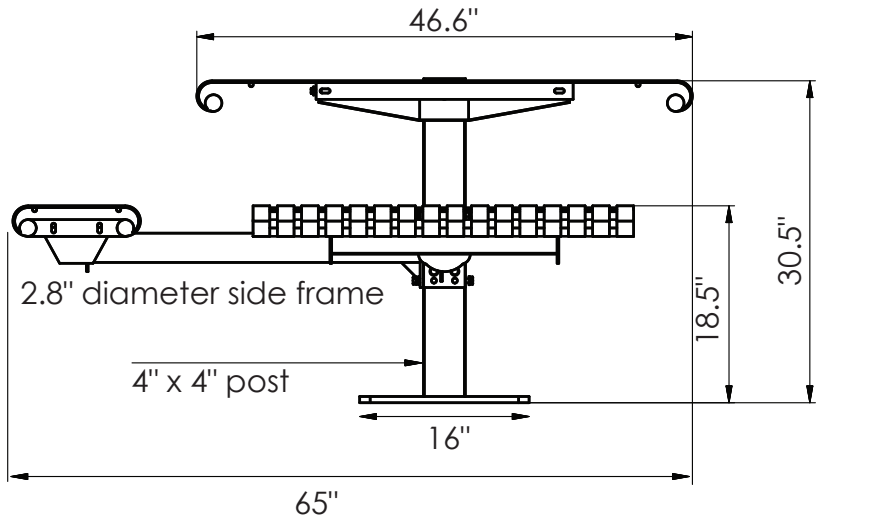
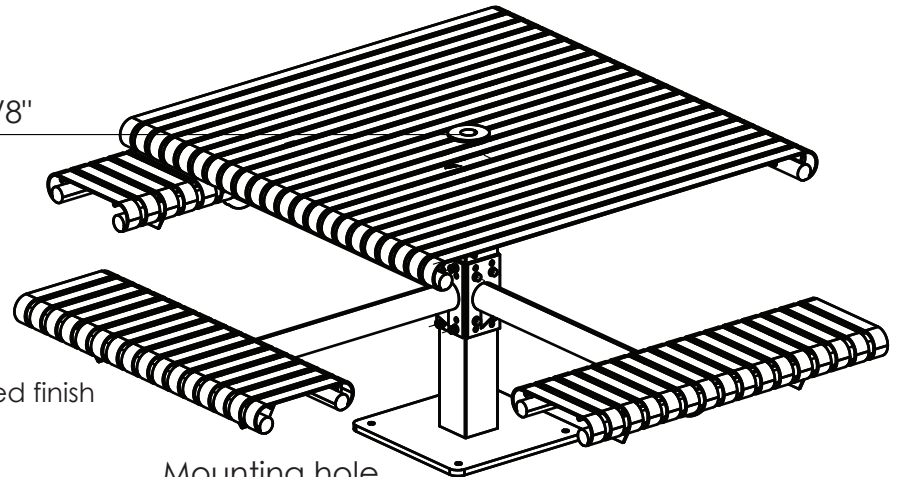


STEEL SLAT PEDESTAL ADA TABLE



Umbrella hole: 1-5/8"



Mounting hole diameter 0.47"

TOTAL WEIGHT: 336 lbs

- NOTES:**
- 1) Durable steel construction with rust-resistant, Black Onyx powder-coated finish
 - 2) Pre-drilled for surface mount
 - 3) Precisely rolled vertical slats offer premium seating comfort