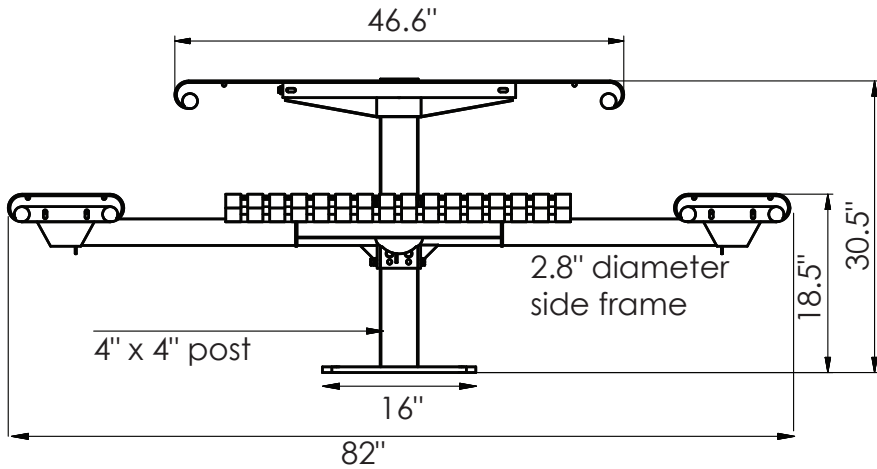
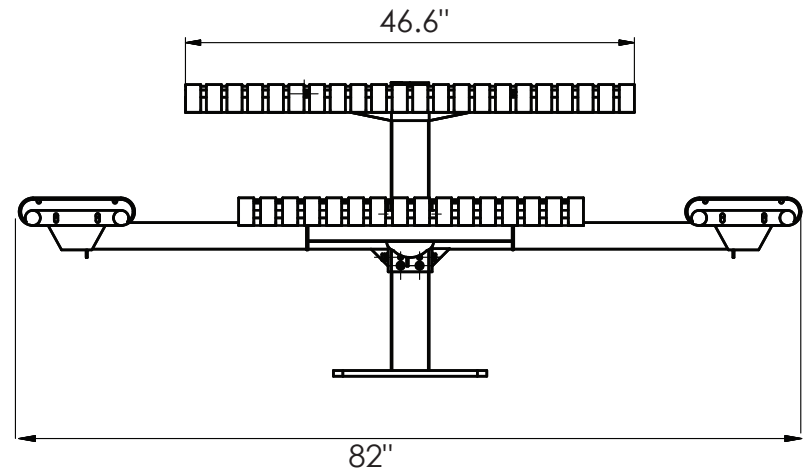
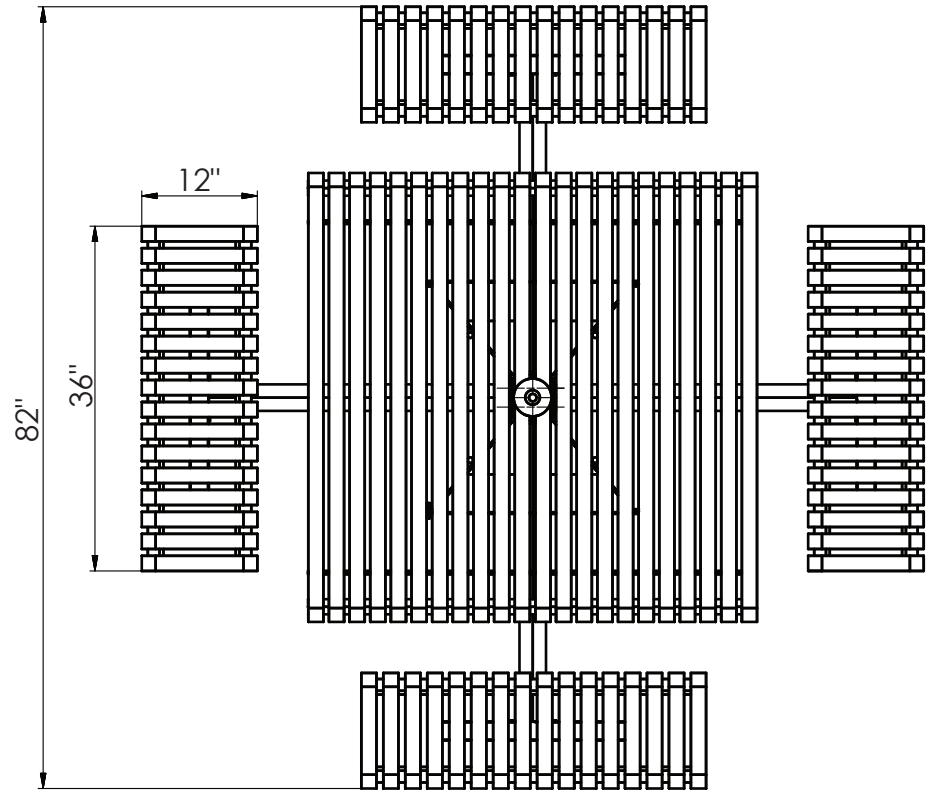
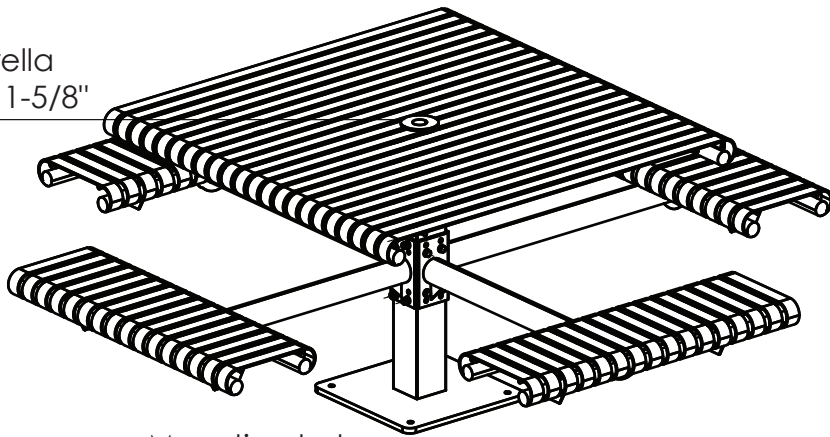


STEEL SLAT PEDESTAL TABLE



Umbrella hole: 1-5/8"



TOTAL WEIGHT: 393 lbs

NOTES:

- 1) Durable steel construction with rust-resistant, Black Onyx powder-coated finish
- 2) Pre-drilled for surface mount
- 3) Precisely rolled vertical slats offer premium seating comfort