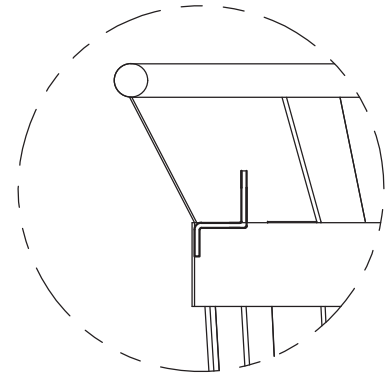
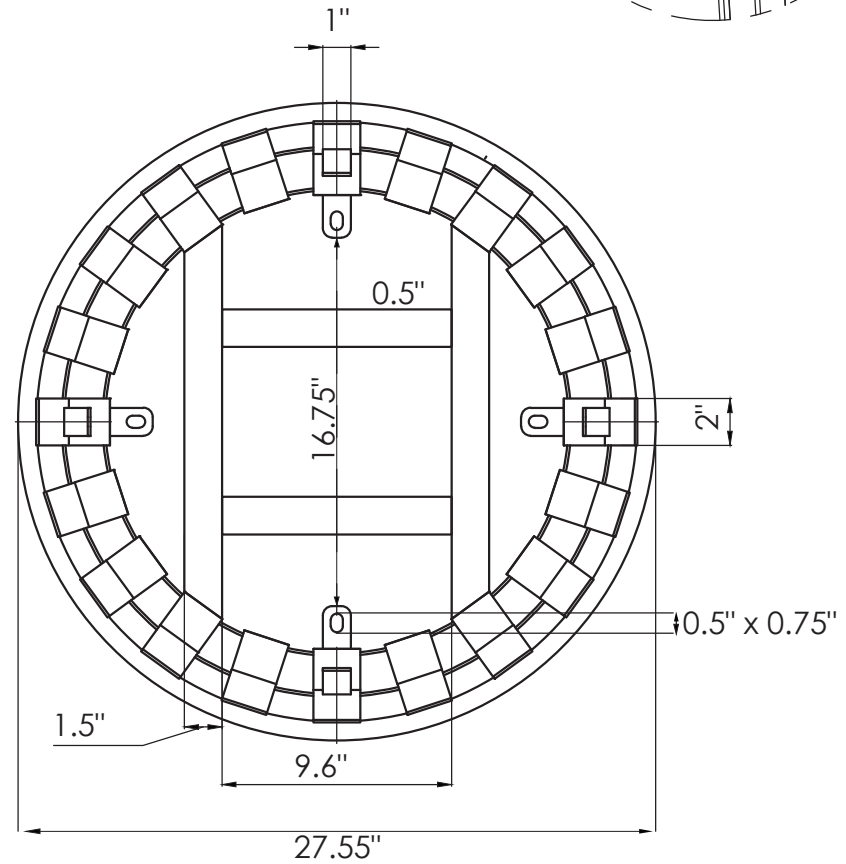
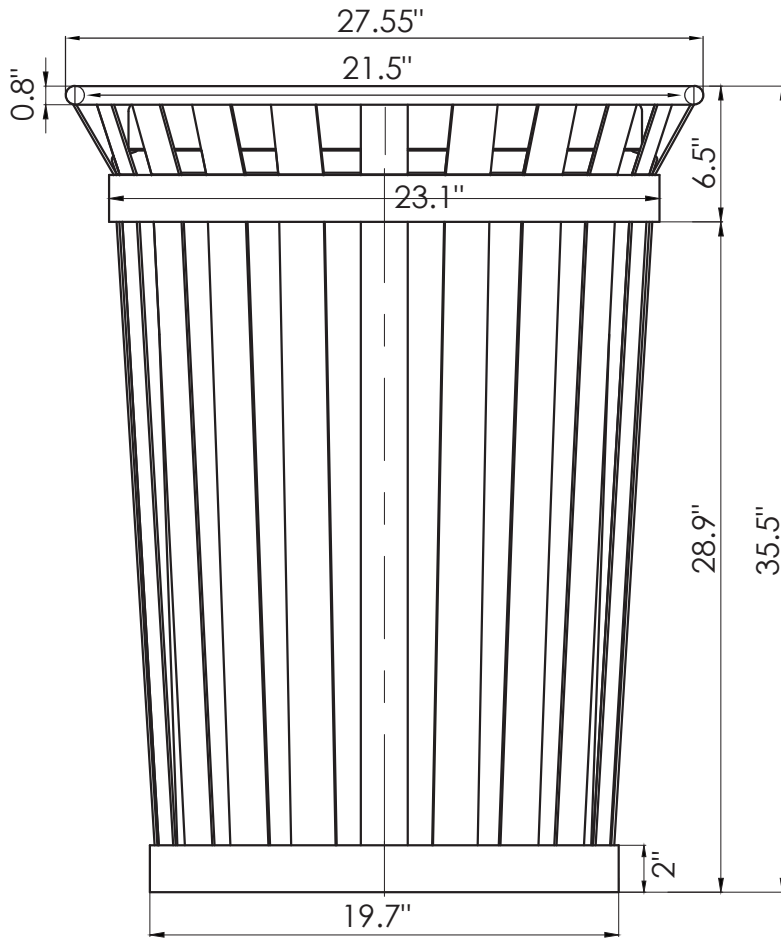


COMMERCIAL STEEL WASTE RECEPTACLE



TOTAL WEIGHT: 75 lbs

- NOTES:**
- 1) Material: Powder-coated steel
 - 2) Pre-drilled for surface mount
 - 3) Includes rigid 32-gal. liner with choice of rain bonnet or flat lid