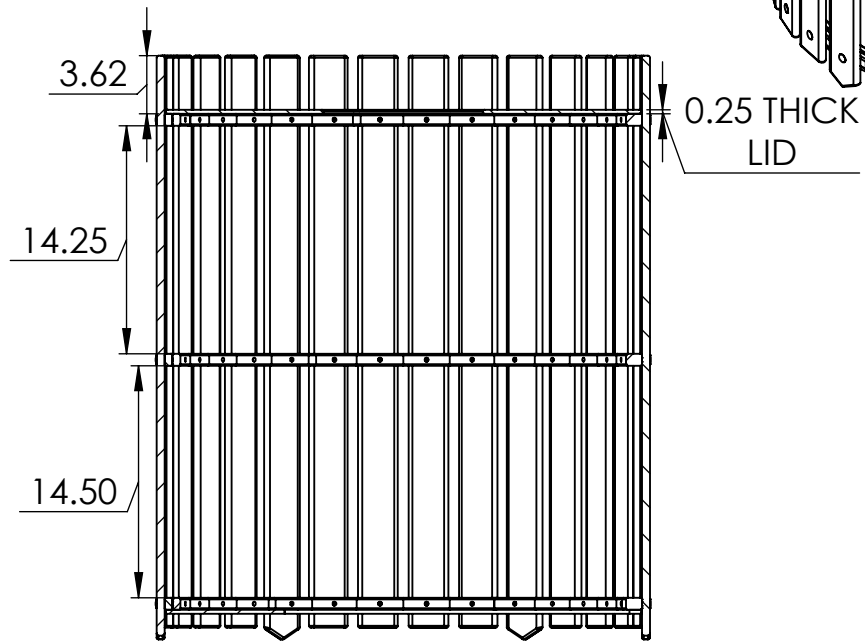
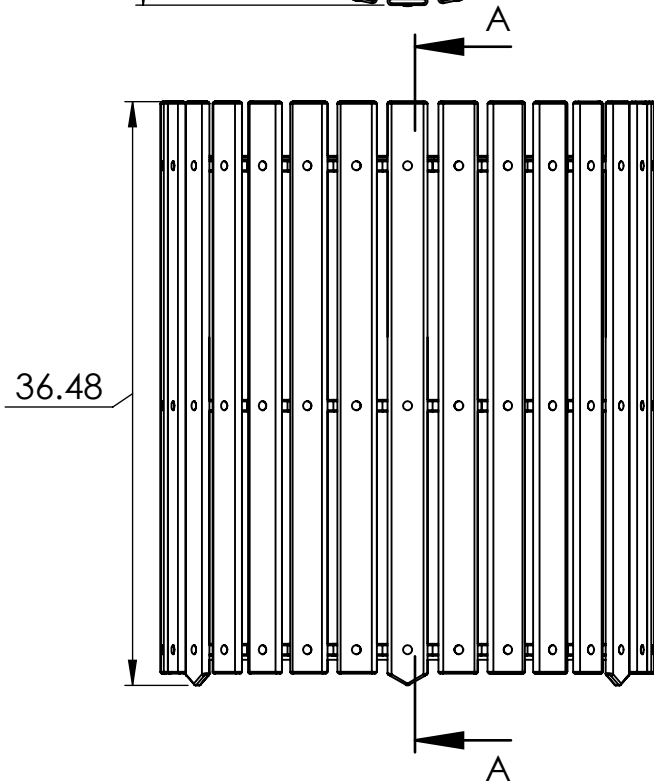
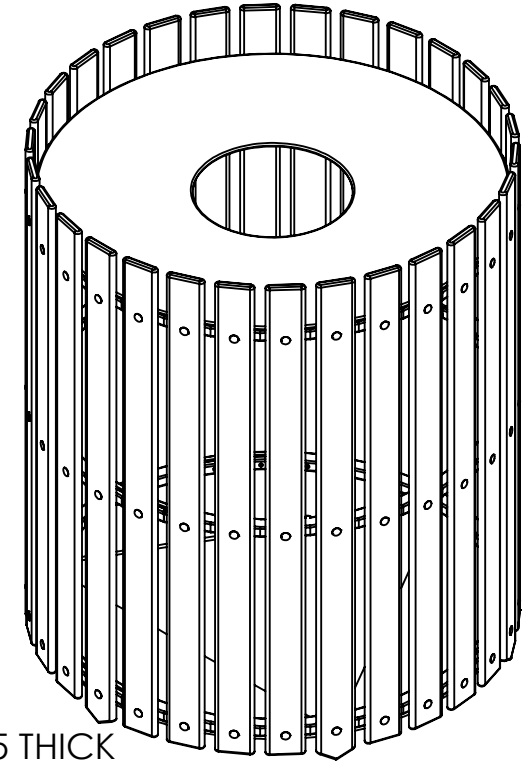
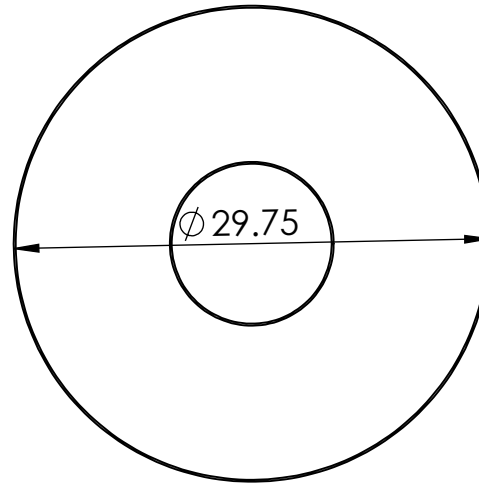
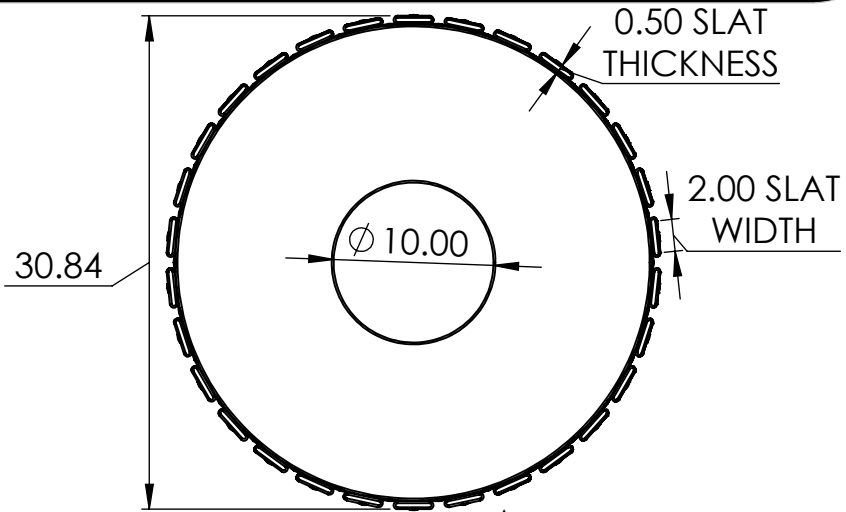


55 GALLON TOP LOAD ROUND TRASH CONTAINER

REV #2
4/11/2023



SECTION A-A
SCALE 1 : 12

SLATS - 1/2 X 2 1/2 RECYCLED PLASTIC LUMBER
FRAME - RECYCLED PLASTIC LUMBER

CONFIGURATION:
LINER - 55 GALLON
LID - FLAT
LOAD - TOP

CONSTRUCTION MATERIALS:
SLATS - 1/2 X 2 1/2 RECYCLED PLASTIC LUMBER
FRAME - RECYCLED PLASTIC LUMBER
HARDWARE:
STAINLESS STEEL, ALUMINUM