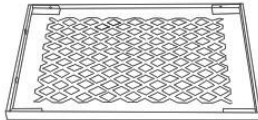
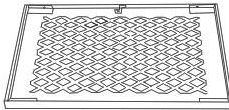
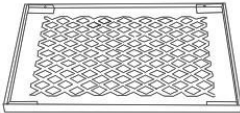
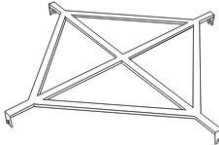



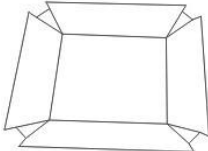

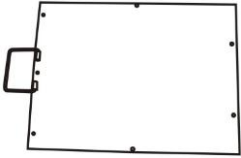



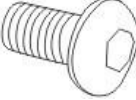

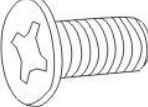
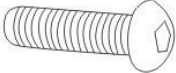
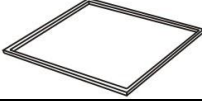
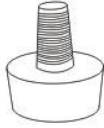




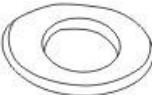


Assembly Instructions

38 Gallon ALL STEEL Trash Receptacle

Before assembly, be sure that all components are included.

Part List	Description	Qty.	Drawings
A1	Side Panel	2	
A2	Front Door Panel	1	
A3	Back Panel	1	
B	Bottom Frame	1	
C1	Frame Support A	1	
C2	Frame Support B	1	
C3	Frame Support C	2	
D	Collar	1	
E	Dome	1	

F	Liner Panel A	2	
G	Liner Panel B	2	
H	Liner Bottom	1	
I	Lock Nut	24	
J	Bolt (M6X12)	18	
K	Nut	20	
L	Bolt (M6X12)	4	
M	Bolt (M6X20)	10	
N	Trash Bag Holder (no holes)	1	
O	Leg Cap (8x15) (Pre-installed)	4	
P	Stud (M6 x 25)	4	
Q	Top Frame	1	

R	Flat Washer	44	
S	Hexagon Wrench	1	
T	Allen Wrench	1	

Tool required: Allen Wrench and Hexagon Wrench (provided), Screwdriver (not provided)



Special Warnings

- We suggest you thoroughly read and follow this simple step-by-step assembly instruction. Portions of the assembly may be easier with two people.
- Do not discard any of the packaging until you have checked that you have all the parts.
- Plastic polybags can be dangerous. Keep the bags away from babies and children to avoid danger of suffocation.
- Set out all parts on a clear, flat and level surface.
- Assemble all parts loosely before tightening any bolts or fixing.
- Check and ensure that all bolts are fully tightened when finished assembling, but DO NOT over tighten.

Assembly Steps:

Step # 1: Place Side Panel (A1) on a clean and flat surface. Attach Frame Support A (C1) and Frame Support C (C3) to Side Panel (A1) by using 4pcs Flat Washers (R) and 4pcs Nuts (K). Repeat the same step when attaching Frame Support B (C2) and Frame Support C (C3) to the second piece Side Panel(A1). **Hand tighten!**

IMPORTANT NOTE: You must be sure the Side Panels (A1) are installed with the end that has holes in it, at the “top” of the receptacle, or the right side as you see in the figure below.

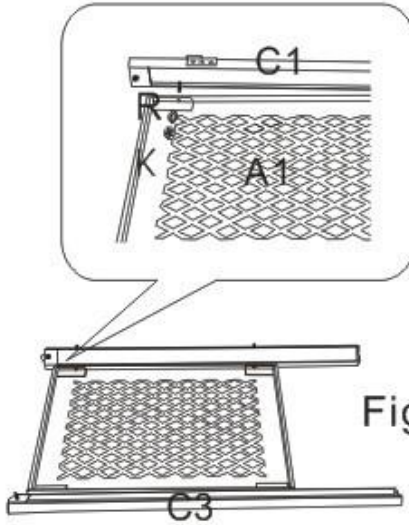


Fig.1

Holes are to the right in this image.

Step # 2: Attach the assembled Left Side Panel (A1) and Right Side Panel (A1) to Bottom Frame (B) by using 4pcs Flat Washers (R)) and 4pcs Nuts (K). **Hand tighten!**

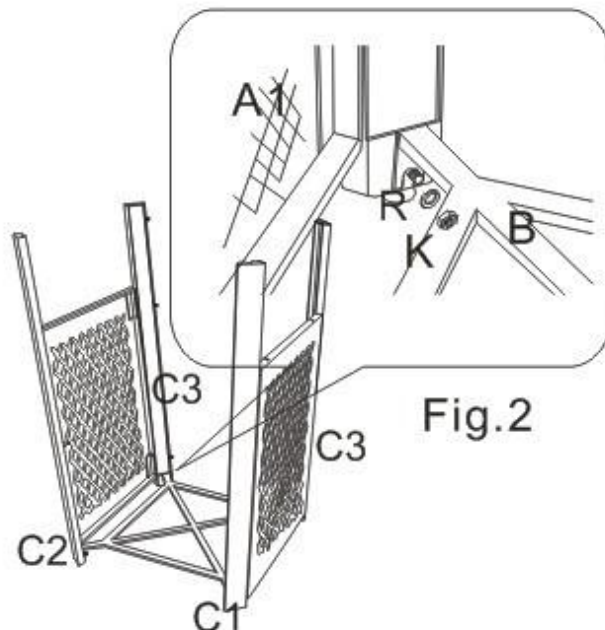
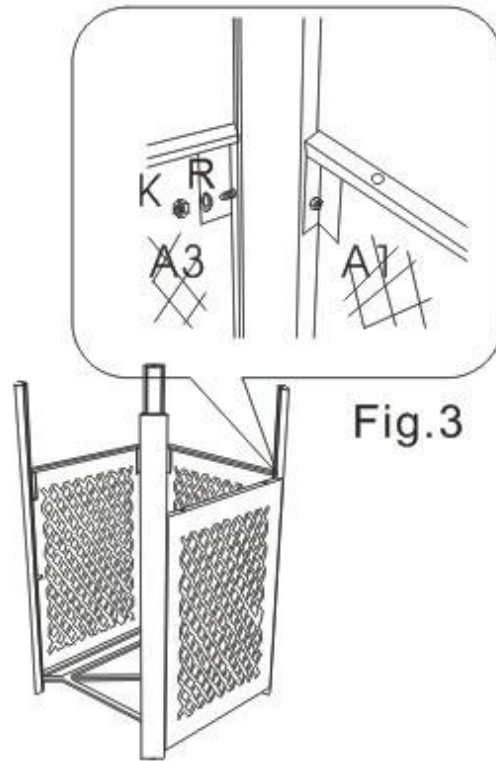
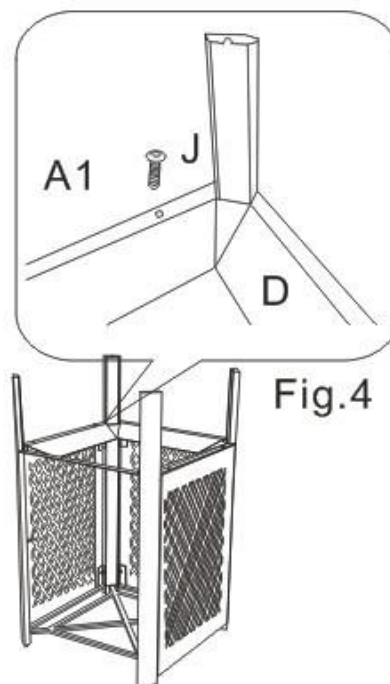


Fig.2

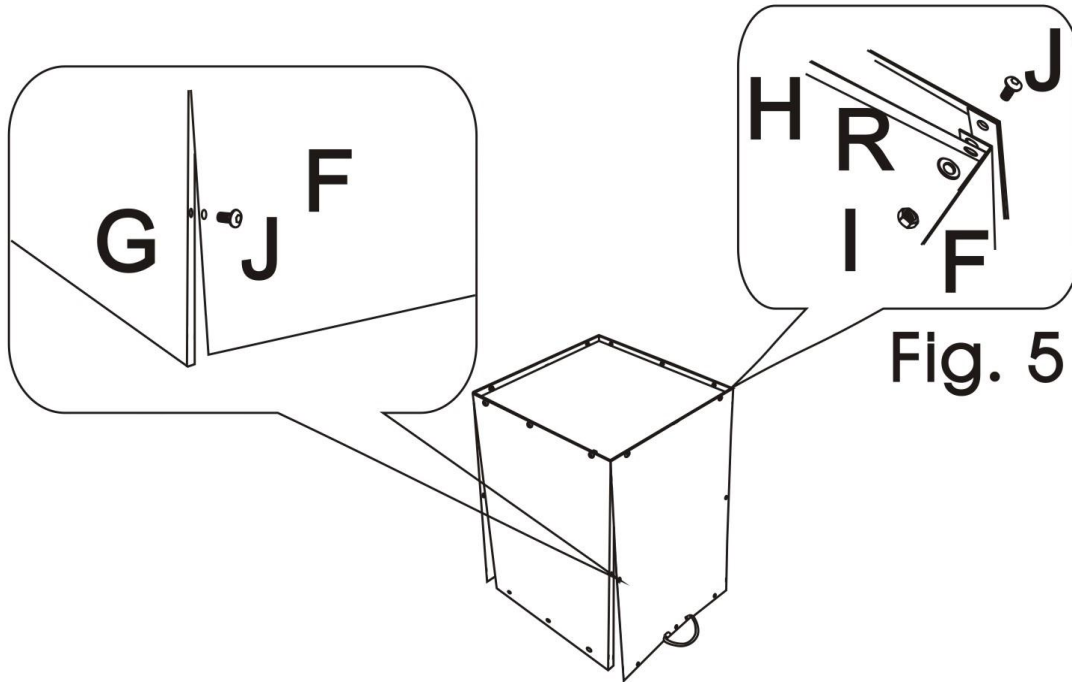
Step # 3: Attach Back Panel (A3) to the Left Side Panel (A1), Right Side Panel (A1) and Bottom Frame (B) by using 4pcs Flat Washers (R) and 4pcs Nuts (K). **Hand tighten!**



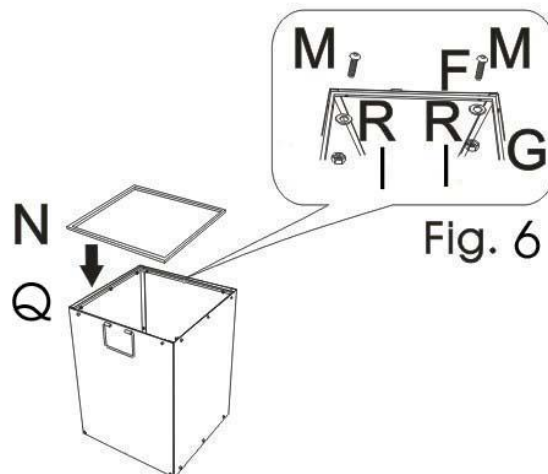
Step # 4: Place Collar (D) onto the assembled frame, secure it by using 4pcs Bolts (J). **Hand tighten!**



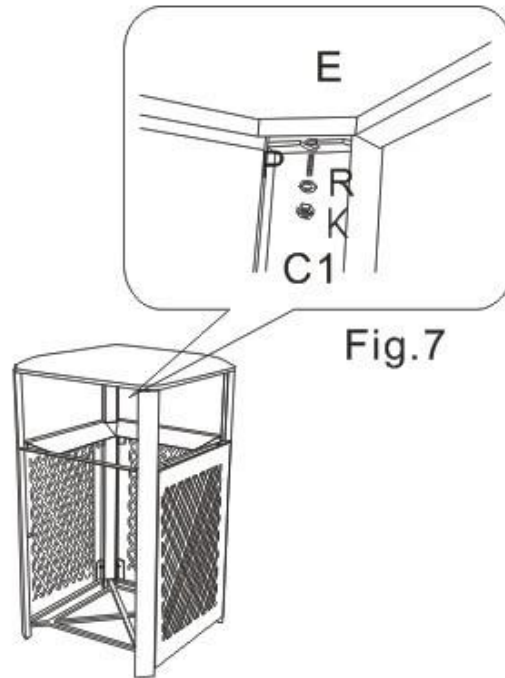
Step # 5: Build the Inner bucket. Attach 2 pcs Liner Panels B (w/o handle) (G) to Liner Bottom (H) on the opposite side by using 6pcs Bolts (J), 6pcs Flat Washers (R) and 6pcs Lock Nuts (I). Then attach two pcs Liner Panels A (w/ handle) (F) to Liner Bottom (H) on the opposite side by using 4pcs Bolts (J), 4pcs Flat Washers (R) and 4pcs Lock Nuts (I). Secure four Panels in the middle with 4pcs Bolts (J), 4pcs Flat Washers (R) and 4pcs Lock Nuts (I).



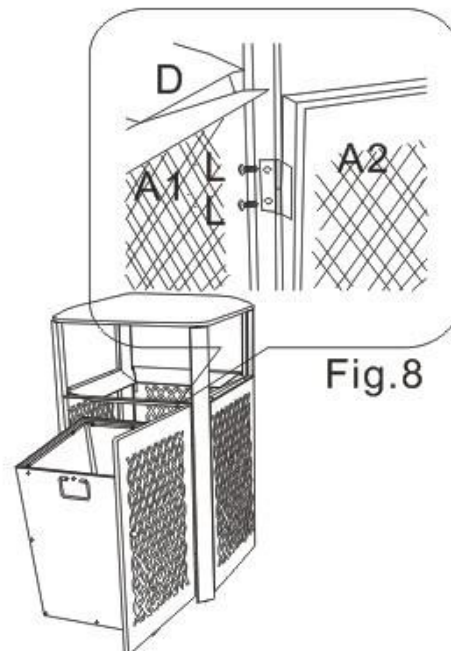
Step # 6: Then turn the assembled inner bucket over so that it sits securely on a flat surface. Insert Top Frame (Q) to the bucket, and secure it to the panels by using 10pcs Bolts (M), 10pcs Flat Washers (R) and 10pcs Lock Nuts (I). **Tighten all the bolts and nuts by Hexagon Wrench (S) and Allen Wrench (T) (provided) , but DO NOT over tighten!** Now, you can insert 38 gallon trash bag over the inner bucket and secure it in place by using Trash Bag Holder (N).



Step # 7: Place Dome (E) onto the assembled outer frame and secure it by using 4pcs Studs (P), 4pcs Flat Washers (R) and Nut (K).



Step # 8: Attach Front Door Panel (A2) to the assembled outer frame and secure it with 4pcs Bolts (L). Tighten all the bolts with Screwdriver (not provided). Now you can slide inner bucket into the outer frame as shown below.



Step # 9 Now your product is ready for use !

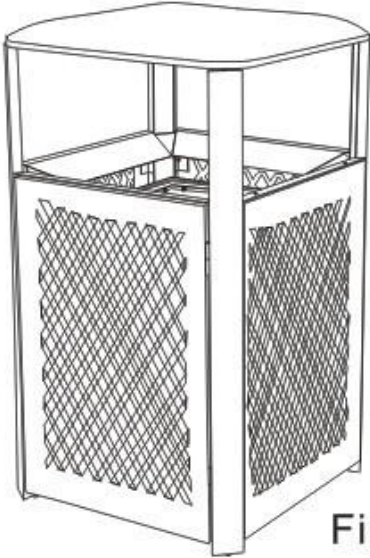


Fig.9