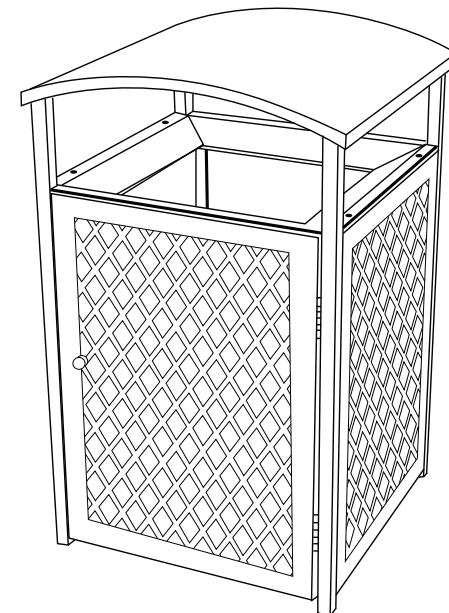
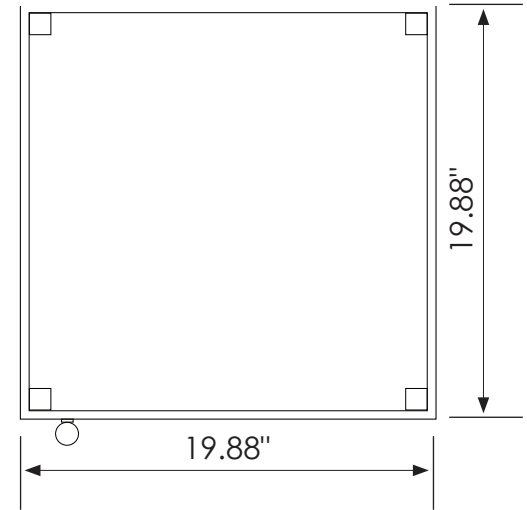
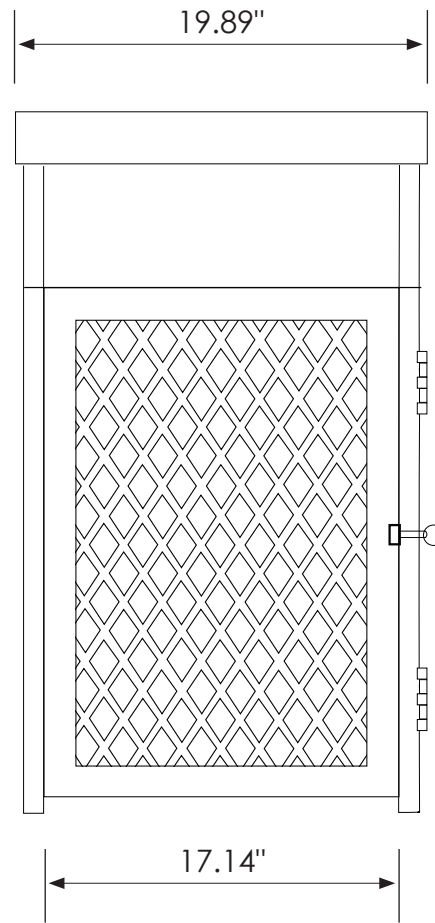
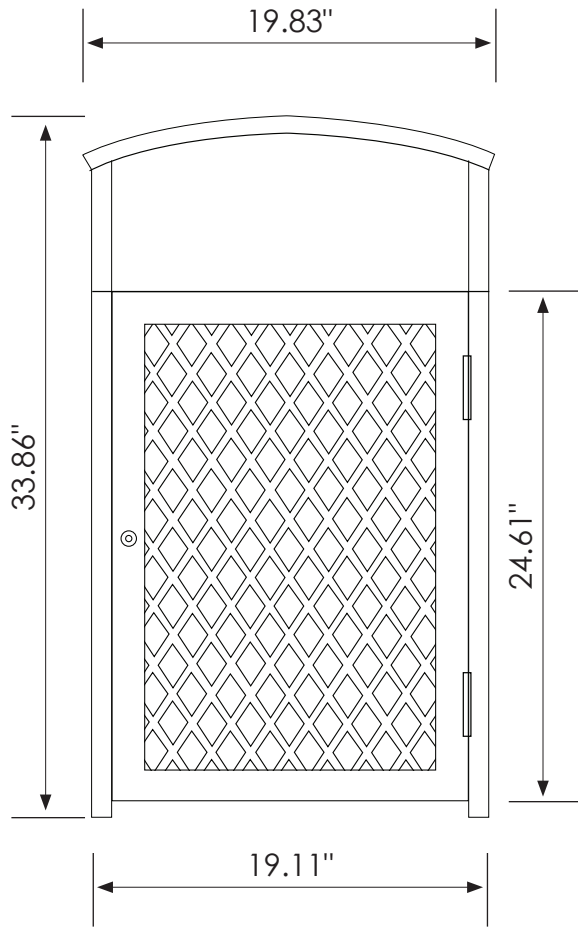


30 GALLON ALL STEEL RECEPTACLE SPECIFICATIONS



TOTAL WEIGHT: 53 lbs

- NOTES:**
- 1) Material: Powder-coated steel
 - 2) Assembly hardware included
 - 3) Includes pull-out metal liner