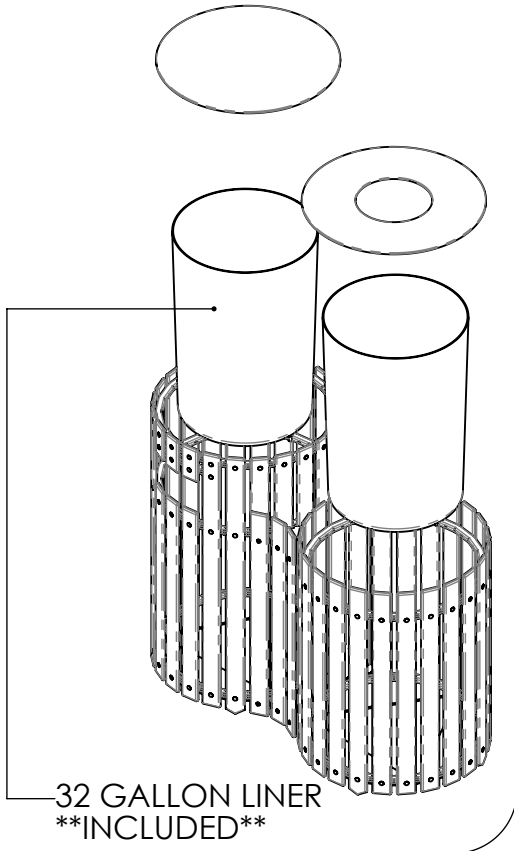


TWO 32 GALLON SIDE LOAD/TOP LOAD ROUND TRASH RECEPTACLE

UNLOADING DETAILS



CONSTRUCTION MATERIALS:
 SLATS - 1/2 X 2 1/2 RECYCLED PLASTIC LUMBER
 FRAME - RECYCLED PLASTIC LUMBER
HARDWARE:
 STAINLESS STEEL, ALUMINUM
WEIGHT:
 104 LBS/ 47.27 KG

