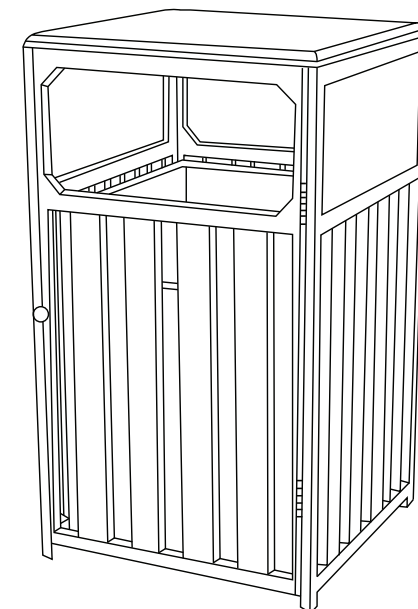
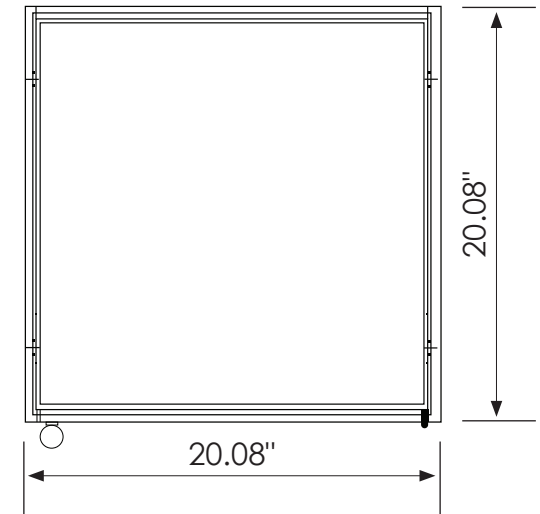
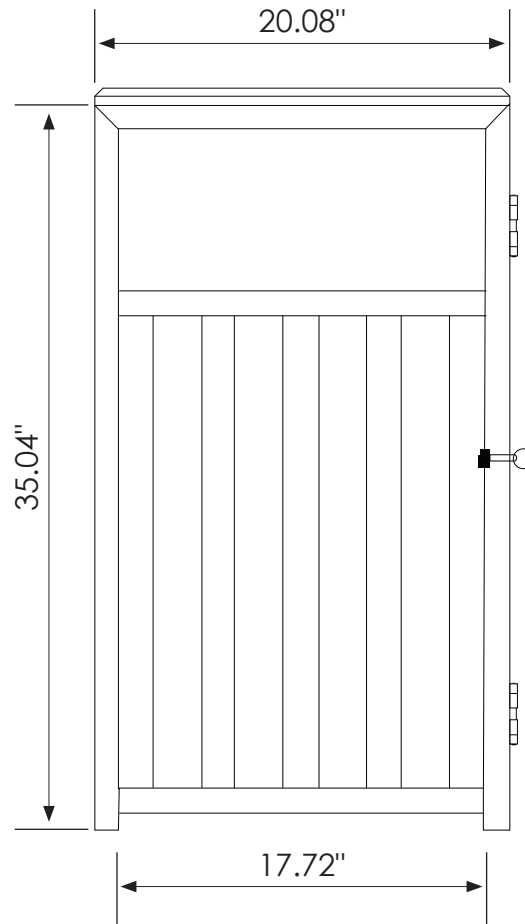
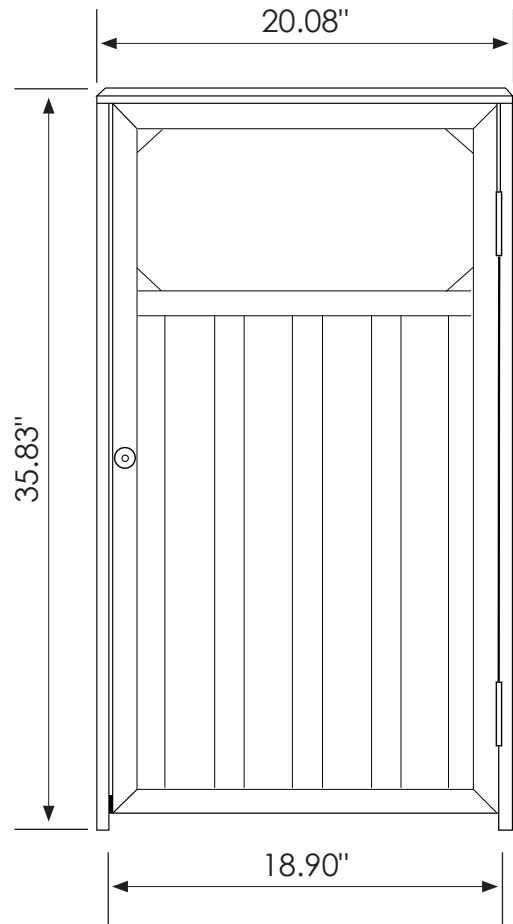


30 GALLON STEEL SLAT RECEPTACLE SPECIFICATIONS



TOTAL WEIGHT: 56 lbs

- NOTES:**
- 1) Material: Powder-coated steel
 - 2) Assembly hardware included
 - 3) Includes pull-out metal liner