

Radar Flashing Speed Sign Specifications

Speed Limit Sign Enhancement Ring

Flashing Sign System Enhancement Rings enhance visibility of critical signs in a variety of scenarios. Speed limit signs are important information for drivers, especially when they are exceeding the limit. Flashing Sign System can slow drivers.



Details

Illumination

- LEDs configured in clusters of three around perimeter of sign for enhanced brightness (fully MUTCD compliant design)
- LED Pitch within cluster: .375 in (.95cm) (on center)
- Cluster Pitch: 1.9 in (4.83cm) (on center)
- White LEDs with 30° Viewing Angle

Environmental

- Nema 4x Enclosure
- Potted electronics (hermetically sealed)
- -34° C to + 60° C operating range (-29° F to +140° F)

Construction

- 14 gauge 5052 aluminum construction
- Individually lensed LEDs recessed behind faceplate

Dimensions

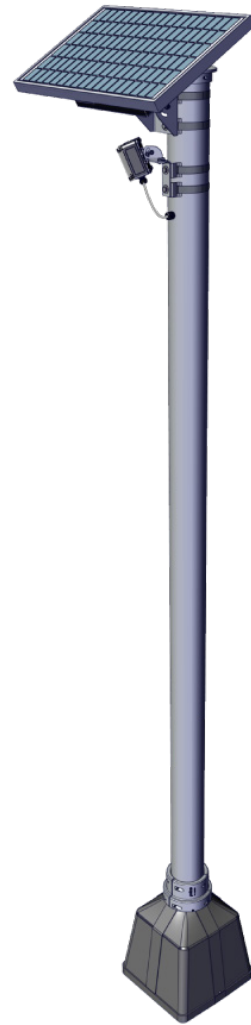
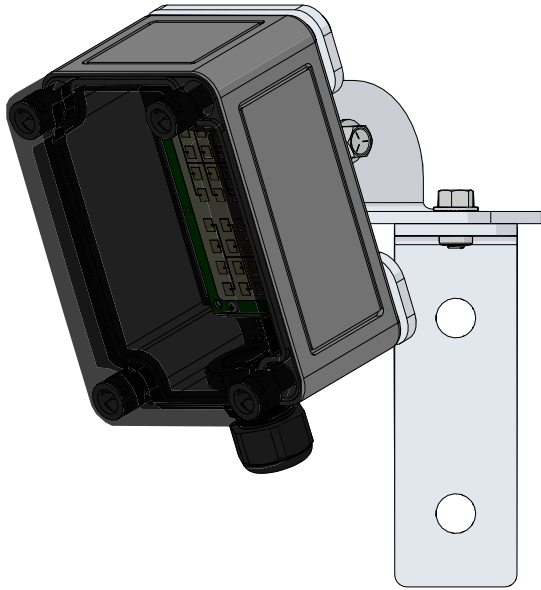
Physical Description

- Mounting: all LED hardware mounted within the printed border of the sign. Mounted either with adhesive backing or included self tapping screws. Rivets may be utilized to improve tamper resistance
- MUTCD compliant LED placement and usage
- 10ft. (3m) single cable extension to reach Controller



MUTCD Sign Size (R2-1)	Ring (Width)	Ring (Height)	LED Pitch	LED (Group offset)	LED Count	Light Output (cd)	Power (Watts)
24x30	23.625in / 59.055cm	29.625in / 75.247cm	.375in / .952cm	1.9in / 4.8cm	42	531300	3.36

Controller and Solar Panel Specifications



Features

Physical Description

- Size: 3.75" W x 2.5" H x 2.25" D Weight: 2.5 Lbs
- Mounting: Universal bracket accommodates most industry standard round or square posts of suitable load rating

Detection

- Speed Resolution Min 5mph, Max 139 (8kph to 223kph)
- K-Band (24.15GHz), direction sensing, license free (FCC Part 15 compliant)
- Range: 1000 ft. (365m)
- Capable of detecting from either direction of travel

Environmental

- Nema 4 Enclosure
- Potted electronics (hermetically sealed)
- -34° C to + 75° C operating range (-29° F to +167° F)

Release: 20220112

Configuration and Setup

Quick configuration via TC Connect™, a WiFi connection platform that requires NO Internet Connection! With any browser enabled device, the Installer can easily log in and select from multiple options and settings including Flash Duration, LED Brightness and Dimming Control

Durability and Reliability

Roadside signage, and the like, attract all forms of vandalism. Housed in a potted aluminum enclosure the System is ready for years of tamper-free service

Built For Efficiency

Operating on a 30W solar supplies, the System provides ample power. Suitable for an extreme range of climates.

Warranty

Industry leading 5-Year Warranty, excluding batteries

Solar Panel Specifications

Physical Description

- Mounting: Universal bracket accommodates most industry standard round or square posts of suitable load rating
- Nema 3R enclosure, all electronics potted
- Stainless fasteners used for corrosion resistance

Input/Output

- Inputs: 1 per controller, accept dry contact closure, optional input devices include Push Button, Environmental sensors, and others.
- Outputs: 2 per controller, 12W max requirement, output devices include Sign Rings, RRFBs, Beacons
- Radar Port: accepts input from Radar
- Light sensor for configurable auto-dimming feature

TC Connect™ Human Interface

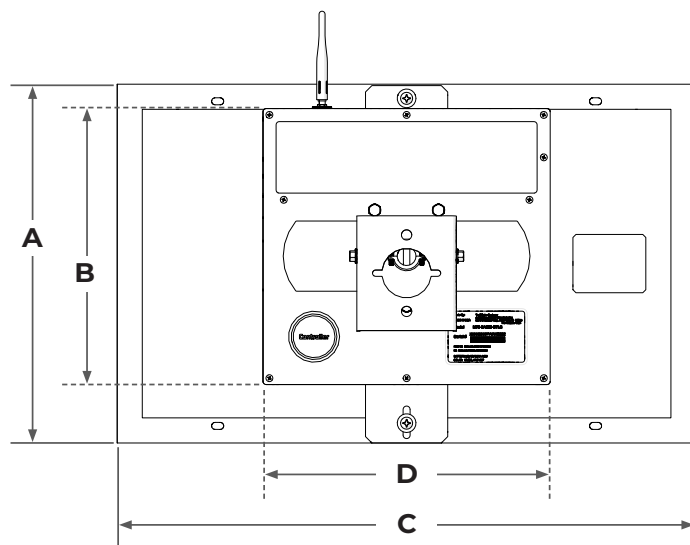
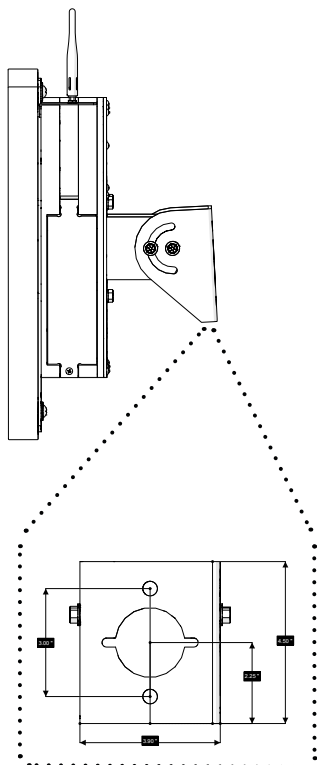
- Wi-Fi Connectivity - No Internet Connection required
- Collaborative Detection System data log includes time stamped detection events retained for at least 365 days. All other systems record activation count and activation daily average.

Performance

- Wireless activation within 100 mS
- Wireless range of 1000'/305m
- -34° C to +50° C operating range (varies with battery type used)
- 5 year warranty, excluding batteries

Model Details

Weight	28.0 lbs/12.7kg
Dims	21.3"W x 20.1"H x 3.9"D (54.1cm, 51.1cm, 9.9cm)
AC/Solar	Integrated Solar
Battery	AGM, 12Ah, 12V
Solar Panel	30W/1.74A (incl.)
Continuous Performance	800 30sec activations per day with 2 hours sunlight



A	B	C	D
20.1 in	10.8in	21.3 in	11.2in
51.1 cm	27.5cm	54.1 cm	28.5cm