
Assembly Instructions

32Gal.Steel Slat Receptacle w/ Rain Lid



Before assembly, be sure that all components are included.



A – 2 receptacle halves



B – 1 receptacle base



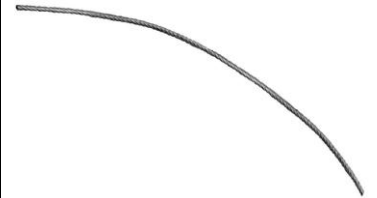
C – 1 liner



D – 1 rain lid



E – 2 cable clips



F – 1 cable



G – 2 Phillips head screws



H – screws

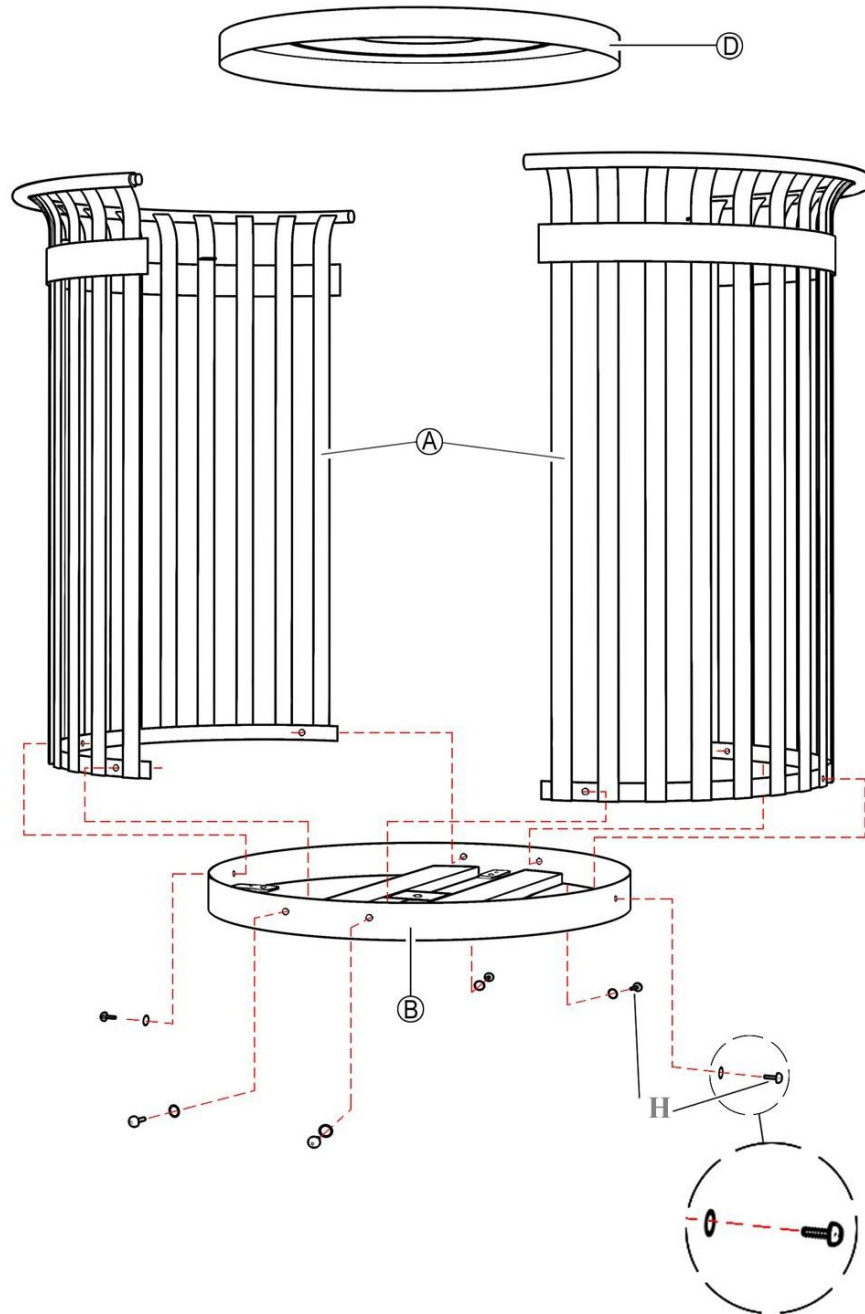


J – screws

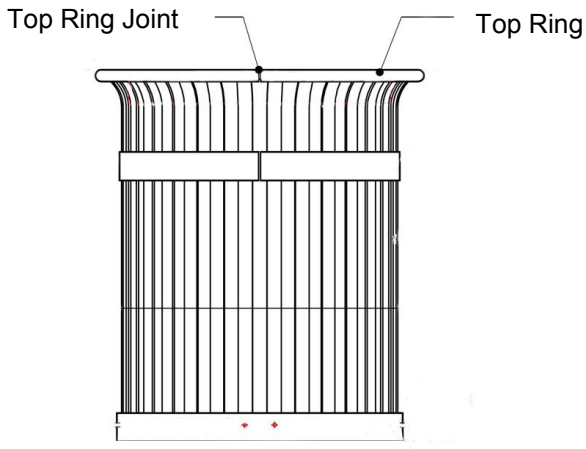


K – 1 Allen wrench

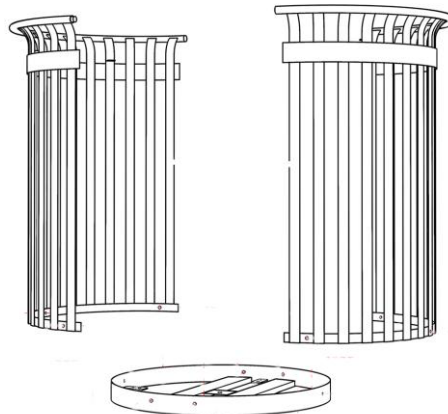
Tools needed: 1 – Allen wrench (provided), 1 - Tamperproof screw driver, 1 - Phillips screw driver, 1 - Heavy duty pliers



Step 1: On a firm, flat surface position the two receptacle basket half circles (A) together to form a complete basket. Line up the pre-drilled holes at the top (2) of the receptacle and insert the screws. Squeeze the top ring together to line up the mounting holes and secure loosely with the two self-tapping Phillips head screws (G) below the ring. Hand-tighten the screws.



Step 2: Place the receptacle base (B) on a firm flat surface with the flange side up. Position the complete basket inside the receptacle base flanges.



Step 3: Insert a bolt (H) with a flat washer loosely into holes around the bottom to secure the basket to the base. Repeat step 2 to insert other bolts. Bolts will thread tightly into the pre-drilled holes, eliminating the need for nuts. The bolts are to be only finger tight at this point. Do not tighten the bolts completely in this step

Step 4: Adjust the position of basket halves (A) if needed. Tighten all of the screws around the base and the top

Step 5: Attach the security cable (F) to the cable lock bar on the inside of the receptacle using the clips (E) to secure the lid (D)

Step 6: Insert the rigid plastic liner (C) into the receptacle. Set the lid (D) directly on the line (C)