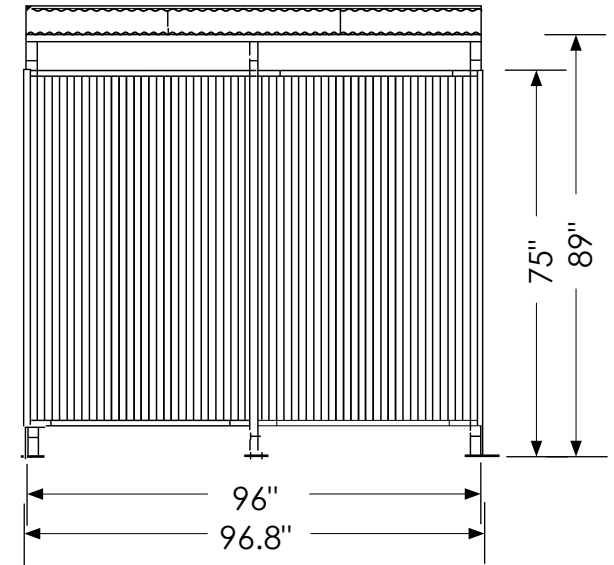
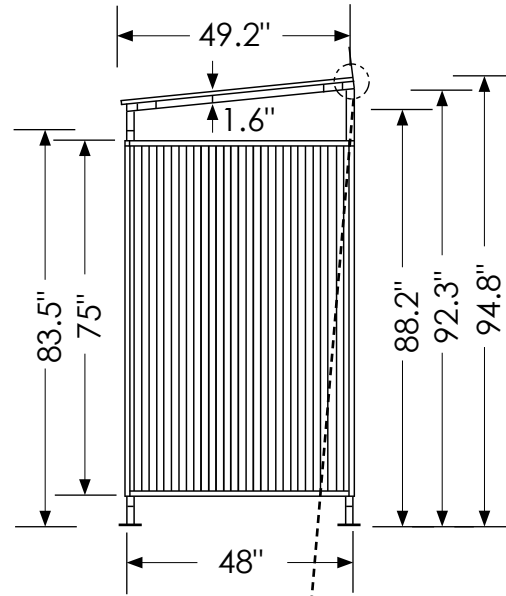
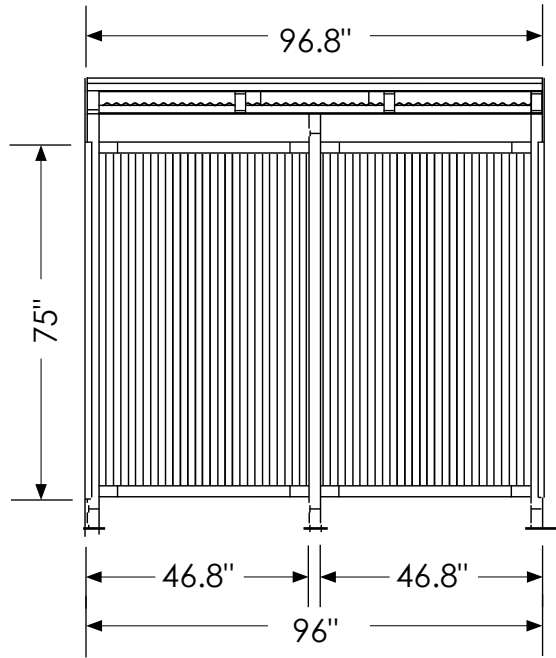
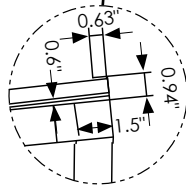


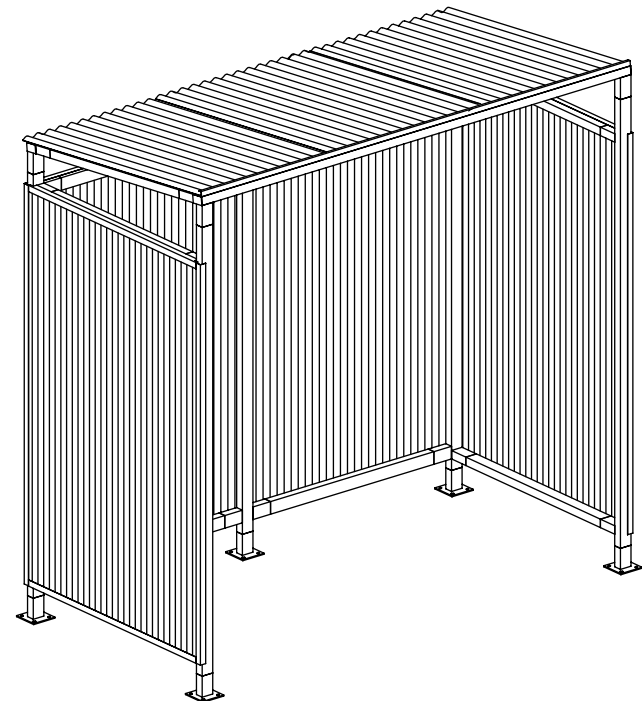
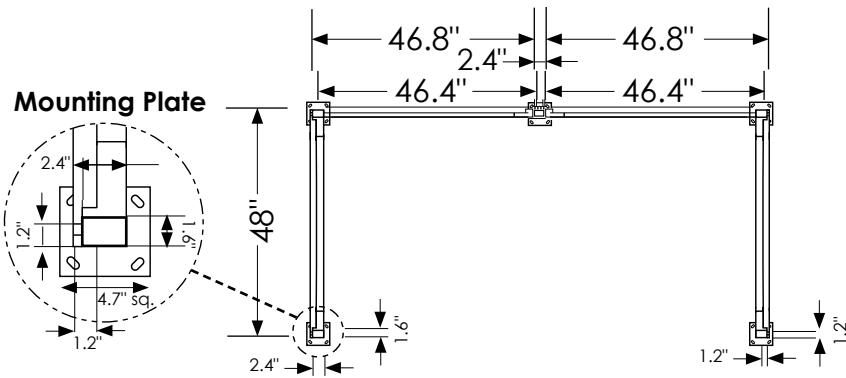
BUS/SMOKING SHELTER SPECIFICATIONS



Rooftop Frame



Mounting Plate



TOTAL WEIGHT: 227 lbs

- NOTES:**
- 1) Materials: Steel square frames/polycarbonate wall panels and roof
 - 2) Weight Capacity (lb): 440
 - 3) Assembly hardware included
 - 4) Surface mount hardware included