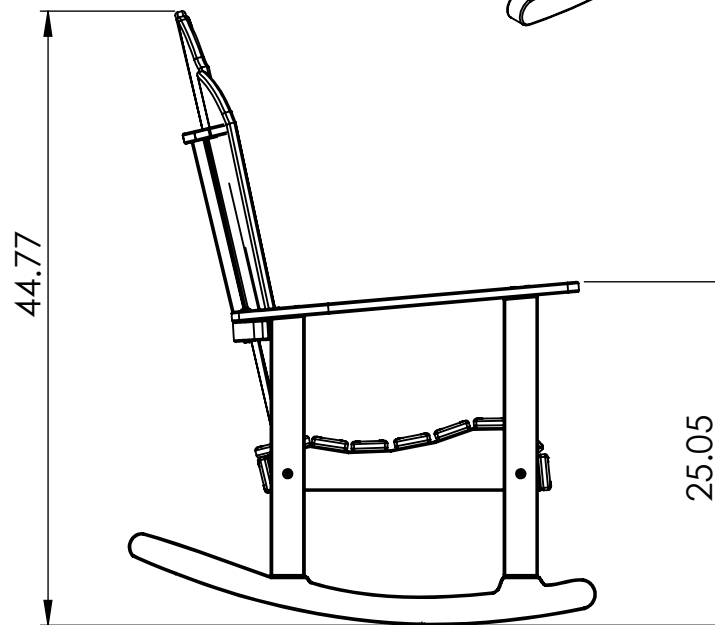
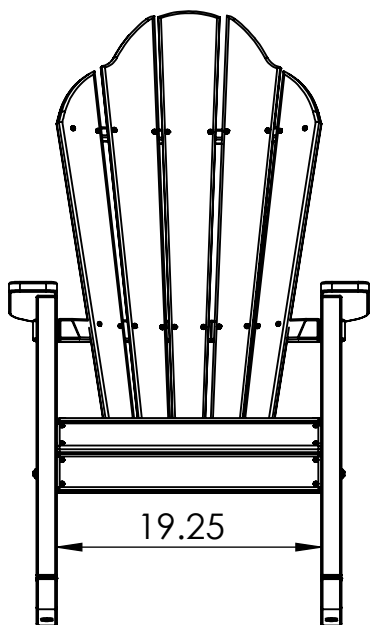
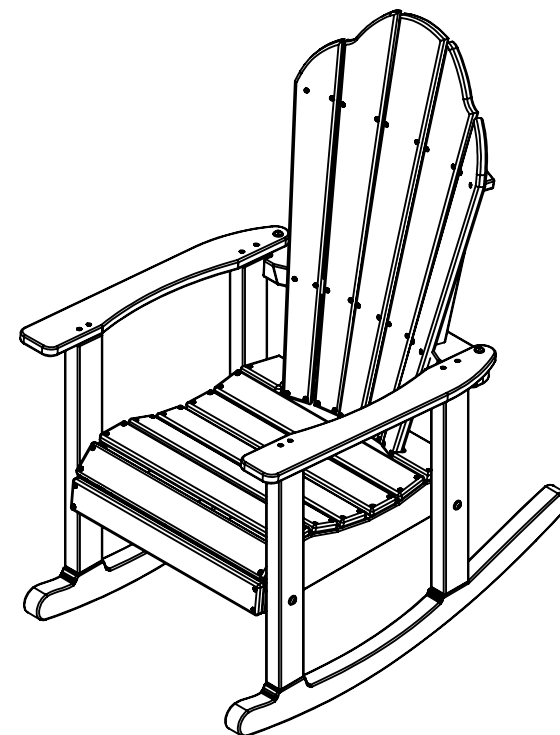
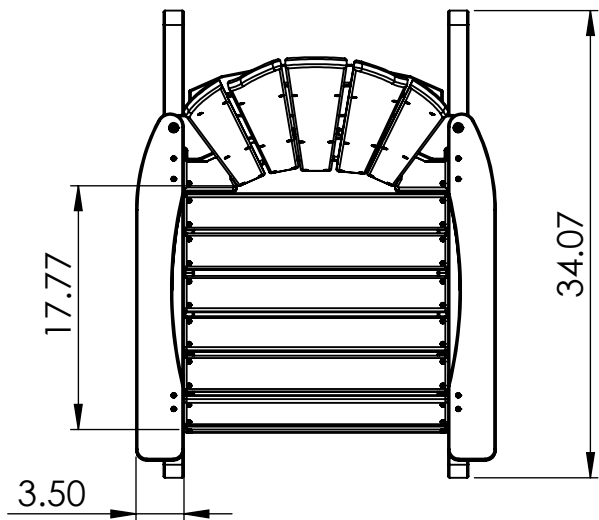


# CHAIR SPECIFICATIONS

BC1167 REV# 1  
6/15/2018



**CONSTRUCTION MATERIALS:**  
Recycled Plastic  
**HARDWARE:**  
Stainless Steel

ALL DIMENSIONS SHOWN IN INCHES