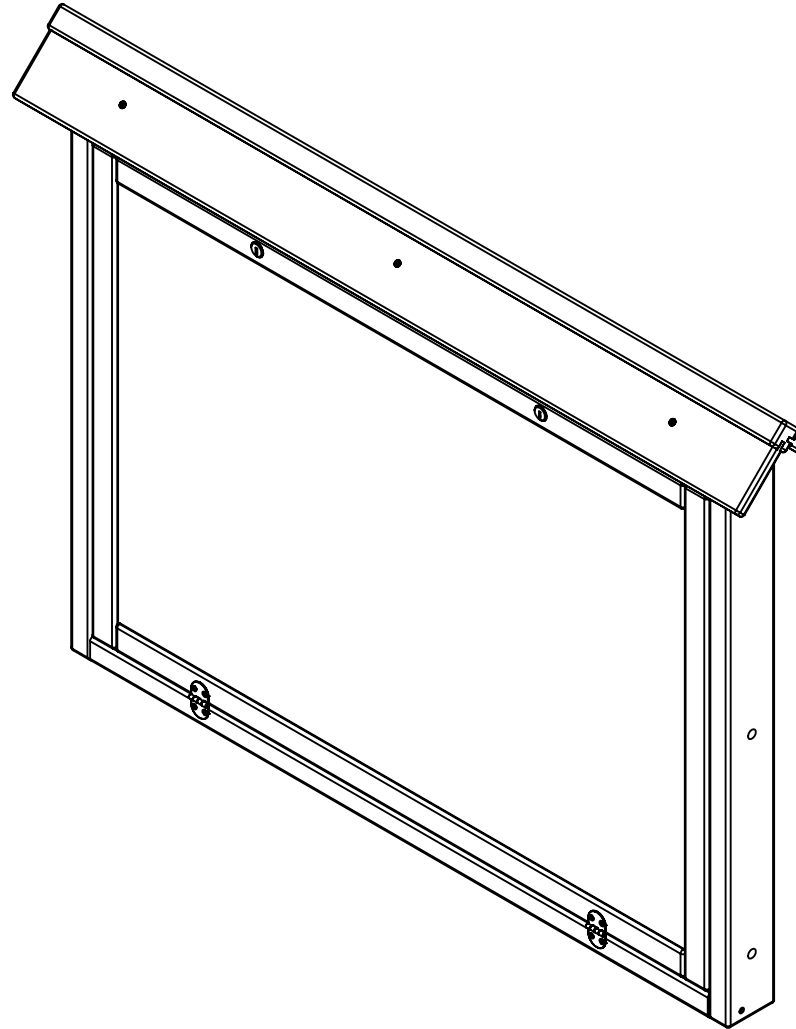
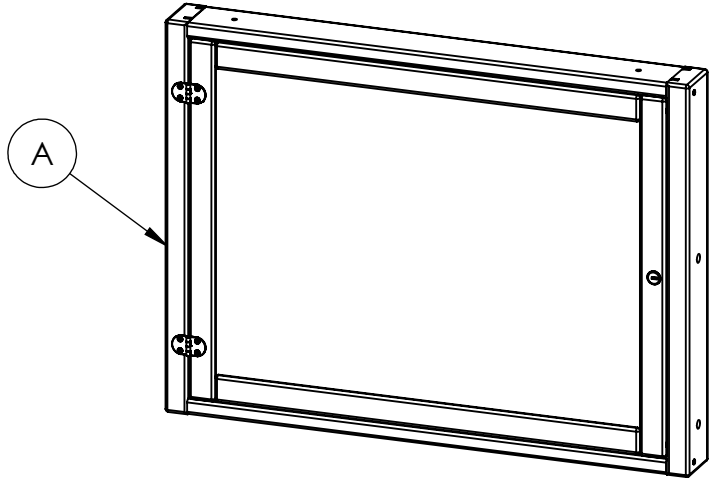


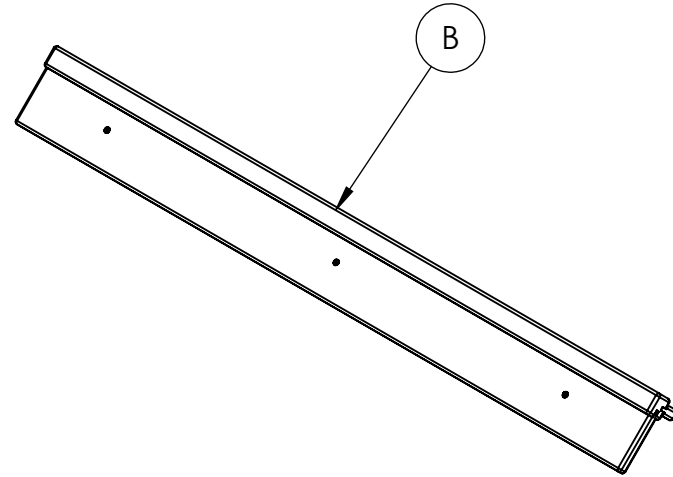
WALL MOUNT MESSAGE CENTER INSTRUCTIONS



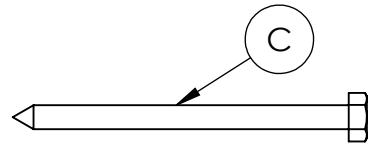
WALL MOUNT MESSAGE CENTER INSTRUCTIONS



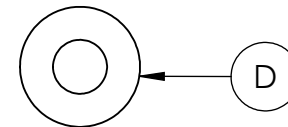
1X
MESSAGE CENTER



1X
ROOF



3X
1/4" LAG SCREW



3X
1/4" FLAT WASHER

REQUIRED TOOLS (NOT INCLUDED)

- 1 - 7/16" SOCKET
- 1 - POWER DRILL
- 1 - LEVEL
- MOUNTING HARDWARE

NOTE: HARDWARE MAY VARY DEPENDING ON THE SIZE OF MESSAGE CENTER

**COMPONENTS &
TOOLS REQUIRED
FOR ASSEMBLY**

2/6

WALL MOUNT MESSAGE CENTER INSTRUCTIONS

Before Starting

- The type of wall will determine what hardware you will need to mount your message center
- These are only suggestions on ways to mount your message center
- If you feel this is beyond your skill level, please contact a professional to mount your message center for you.

MESSAGE CENTER WEIGHTS

X-LARGE
98 LBS

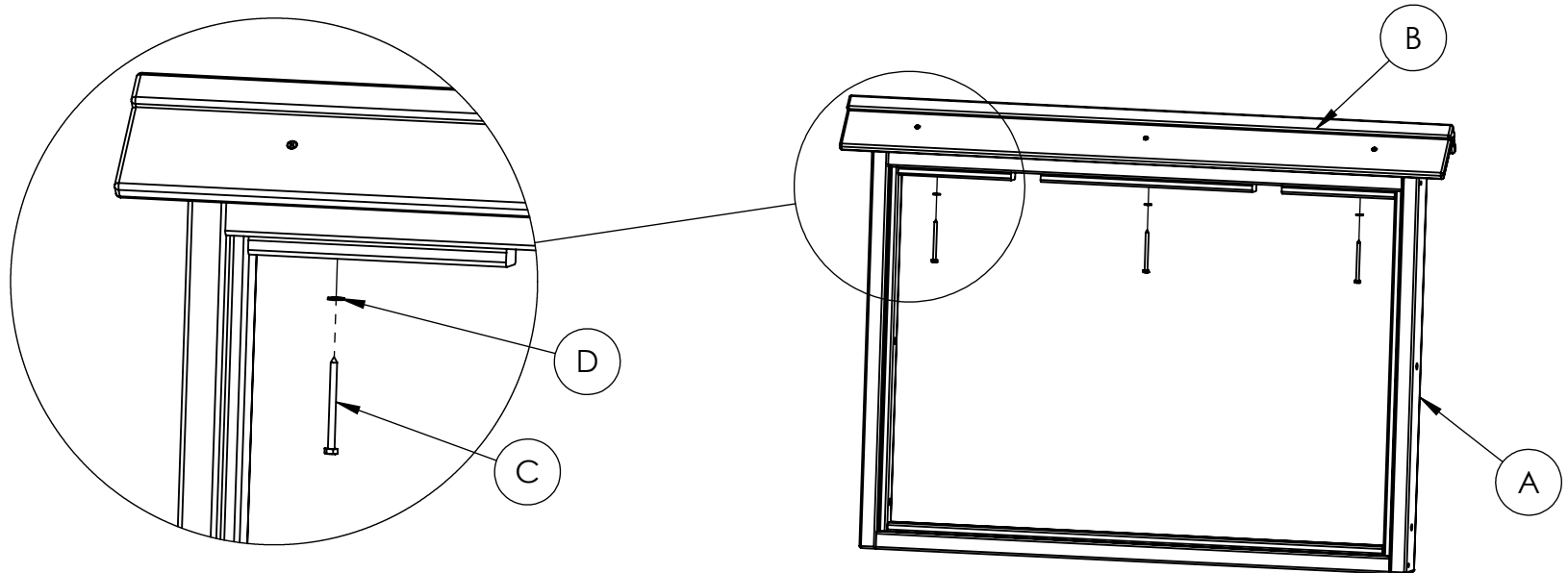
LARGE
81 LBS

MEDIUM
45 LBS

SMALL
26 LBS

STEP # 1 Attach the Roof

- Set roof (B) onto the top of the message center (A)
- Fasten 3-1/2" lag screw (C) thru washer (D) thru message center (A) and into roof (B)
- Repeat for the other lag screw (C)



WALL MOUNT MESSAGE CENTER INSTRUCTIONS

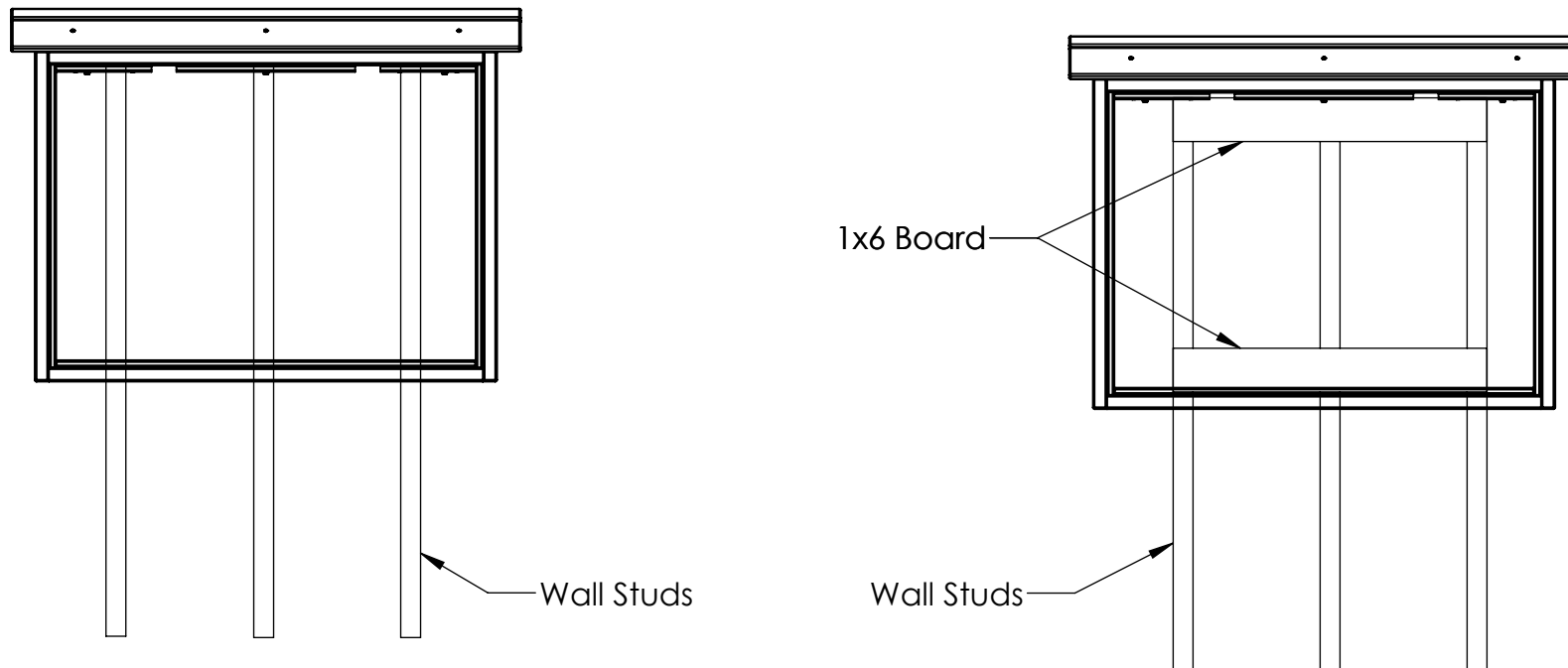
MOUNTING INTO WALL STUDS

First Option - Mount Directly to Wall Stud

- Use screws or lag screws capable of holding at least 50 lbs and a flat washer
- Locate the studs in the wall. We recommend using as many wall studs as possible for more support
- Measure and mark the locations of the wall studs on the message center
- Pre-drill the wall studs locations on the message center
- Screw directly through the cork and back panel of the message center and into the wall stud

Second Option - Attach 1x6 Boards

- Use screws or lag screws capable of holding at least 50 lbs and a flat washer
- Locate the studs in the wall. We recommend using as many wall studs as possible for more support
- Attach a 1x6 board to the wall at the top and bottom location of the message center
- Mount the message center to the board by screwing directly through the cork and back panel



NOTE: Sheet rock on walls not shown

WALL MOUNT MESSAGE CENTER INSTRUCTIONS

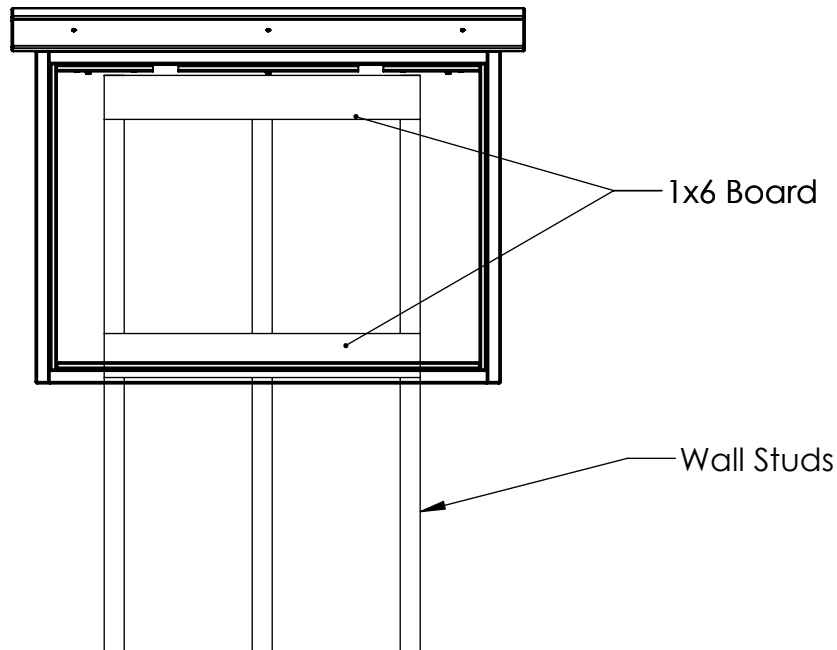
MOUNTING INTO HOLLOW WALLS

First Option - Attach 1x6 Boards

- Use screws or lag screws capable of holding at least 50 lbs and a flat washer
- Locate the studs in the wall. We recommend using as many wall studs as possible for more support
- Attach a 1x6 board to the wall at the top and bottom location of the message center
- Mount the message center to the board by screwing directly through the cork and back panel

Second Option - Hollow Wall Anchors

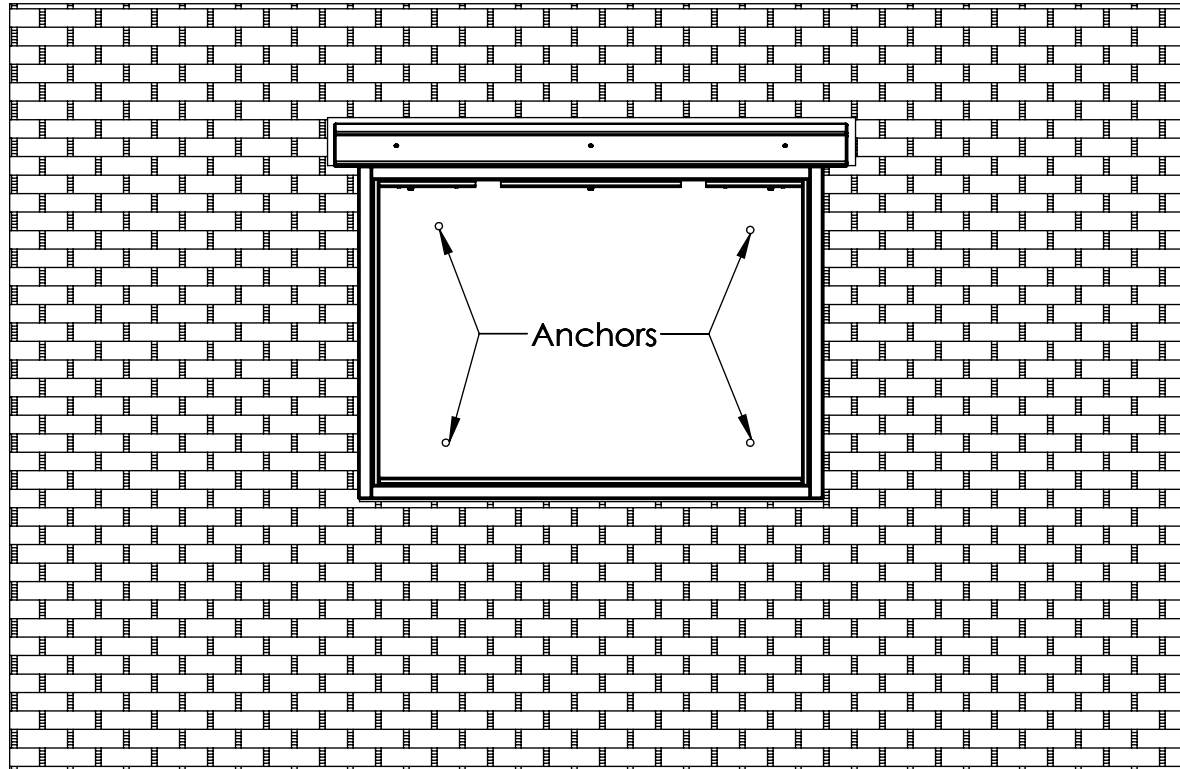
- We strongly recommend avoiding hollow wall anchors unless all other options will not work
- Use anchors that have a weight capacity that is double the weight of your message center
- Follow the instructions on the wall anchor package
- Pre-drill the hole location for the anchor directly through the cork and back panel on the message center



WALL MOUNT MESSAGE CENTER INSTRUCTIONS

Solid Wall

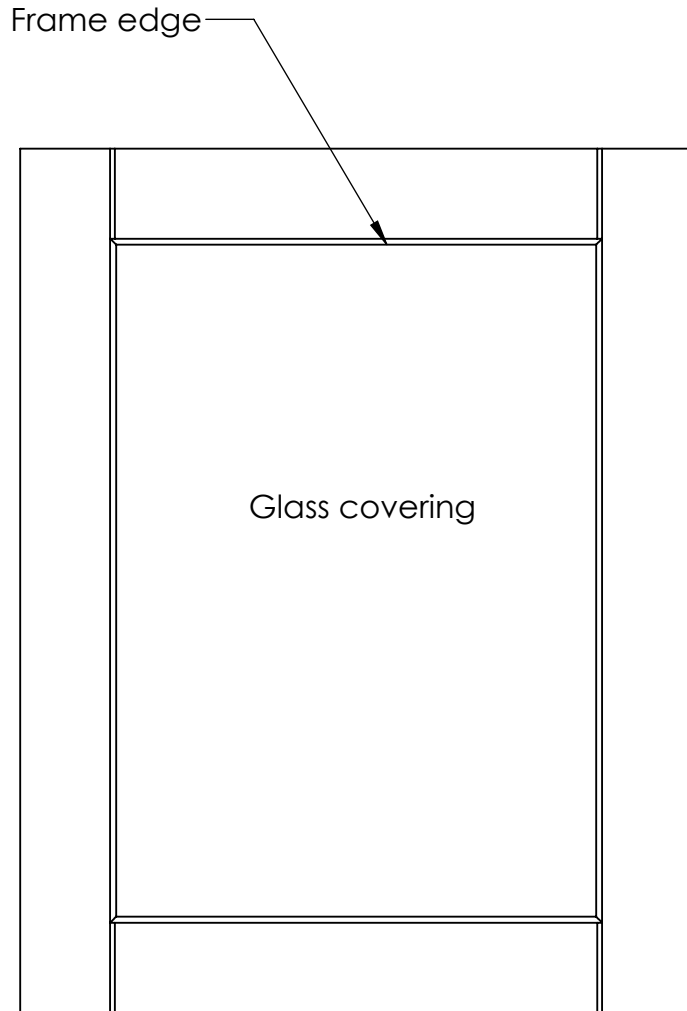
- Use anchors that have a weight capacity that is double the weight of your message center
- Pre-drill holes directly through the cork and back panel of the message center. Space your holes out evenly to provide uniform support for the message center
- Mark the hole locations on the wall
- Pre-drill the holes required for the anchor that you are intending to use
- Attach the message center to the wall with the anchors



REMOVE GLASS COVERING

REMOVE GLASS COVERING

- Take a razor blade and score as close as possible to the frame, cutting the covering
- In a corner, peel back the the covering using the point of the knife blade
- Pull the covering off the glass
- Repeat for the other side



Score along thick line with a razor blade

