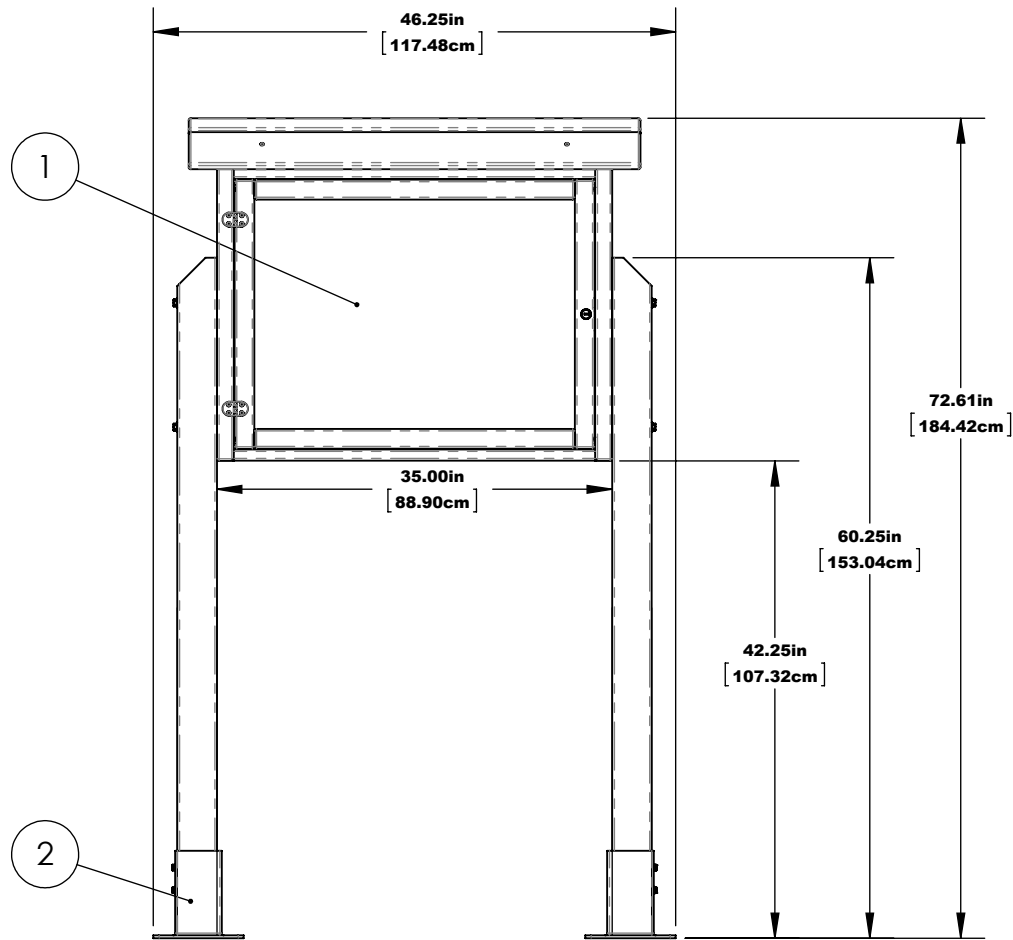
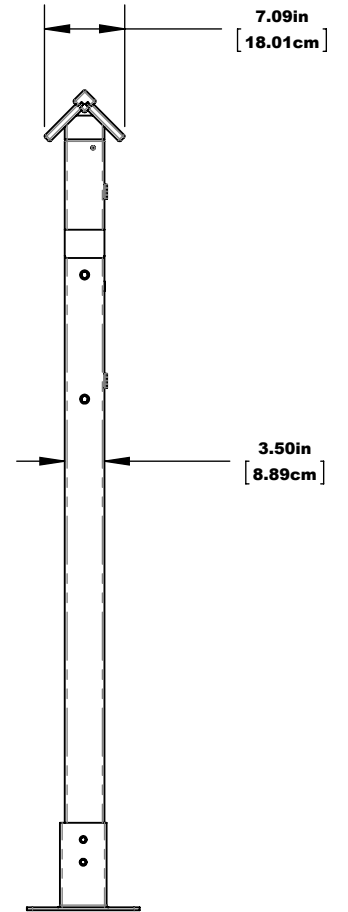


MEDIUM HORIZONTAL MESSAGE CENTER SURFACE MOUNT



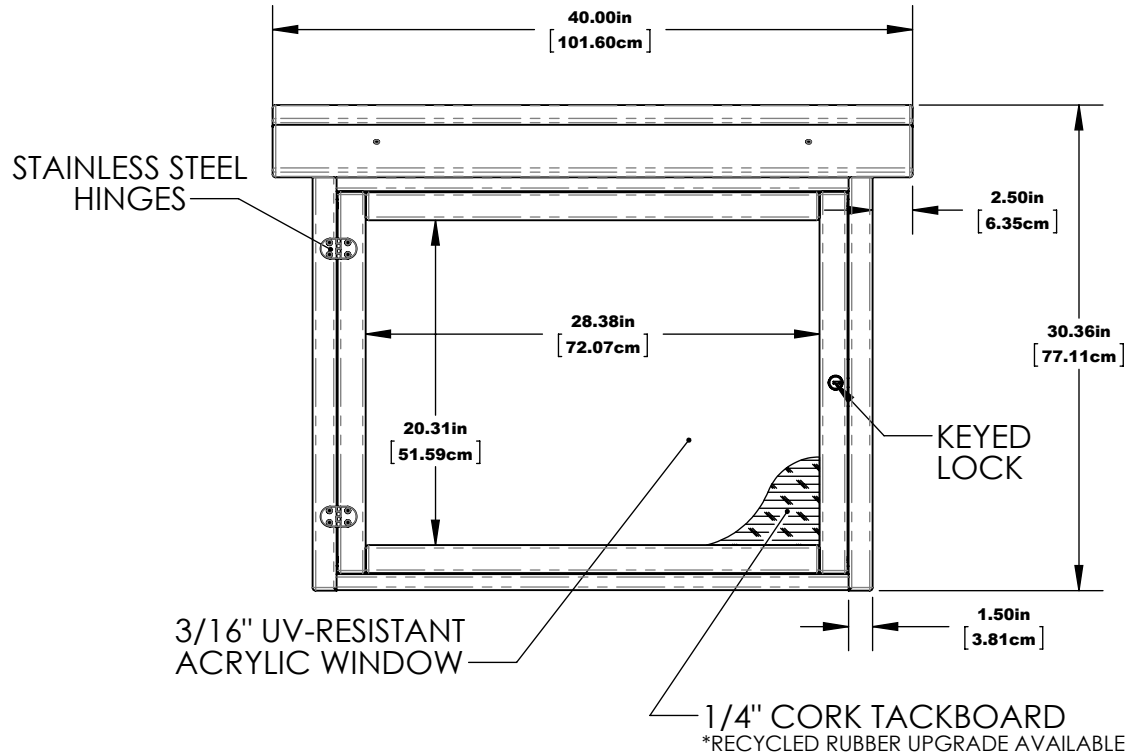
FRONT



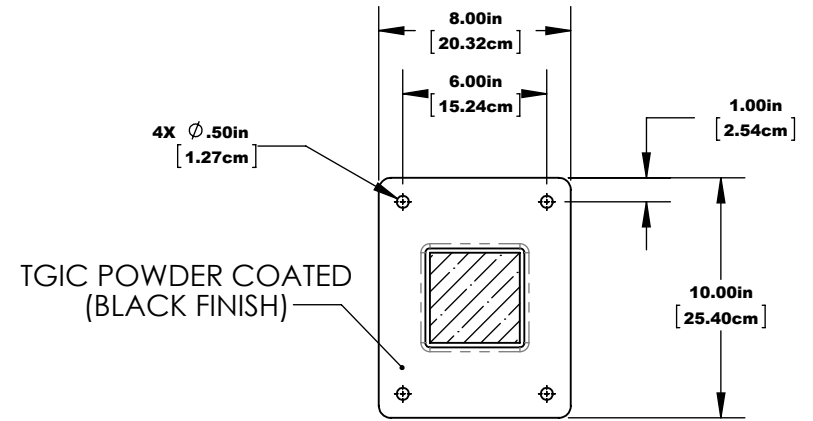
SIDE

MEDIUM HORIZONTAL MESSAGE CENTER SURFACE MOUNT

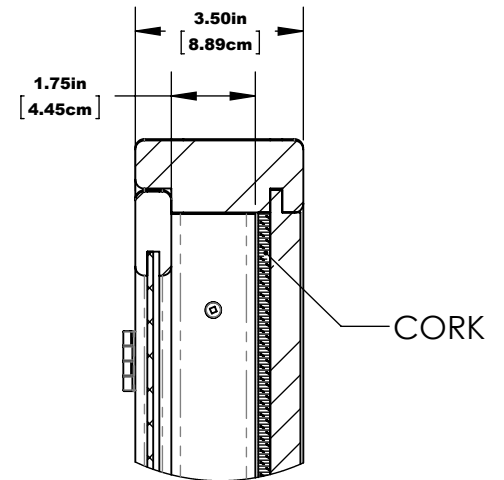
REV #2 7-21-2016



1 MESSAGE CENTER DETAILS



2 MOUNTING DETAILS



3 MESSAGE CENTER DEPTH DETAILS

HARDWARE: STAINLESS STEEL
 MATERIAL: RECYCLED PLASTIC, ACRYLIC, 1/4" CORK