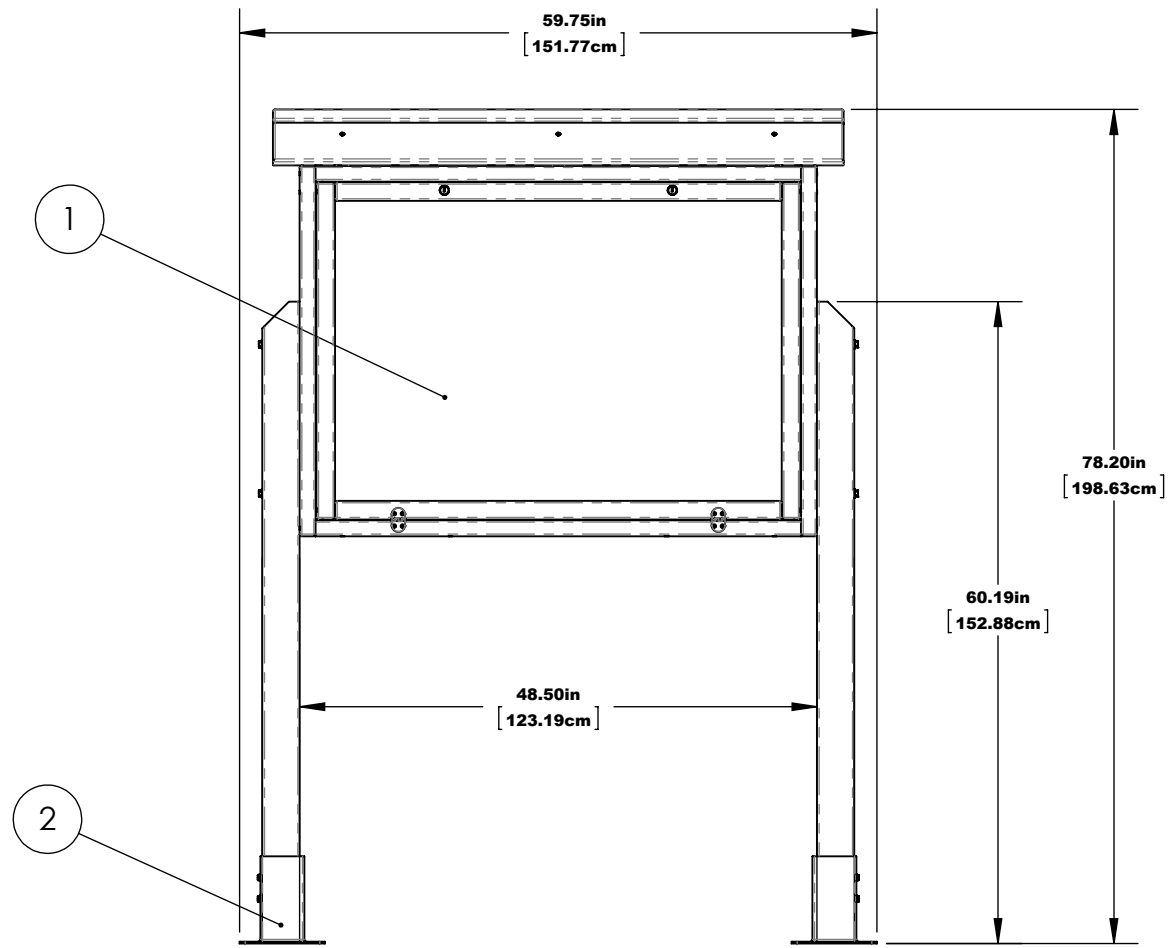
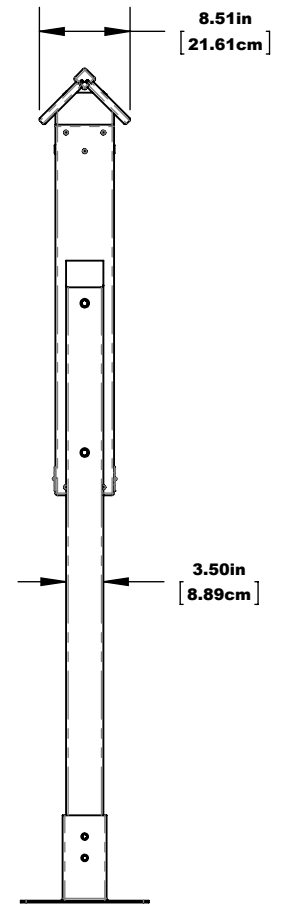


LARGE HORIZONTAL DOUBLE SIDED MESSAGE CENTER SURFACE MOUNT

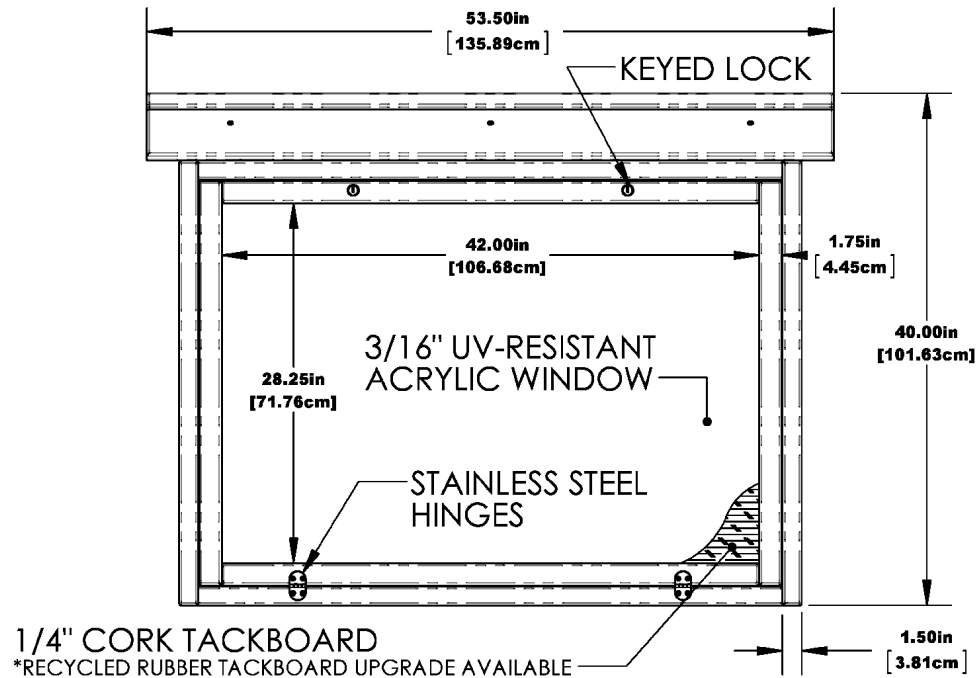


FRONT

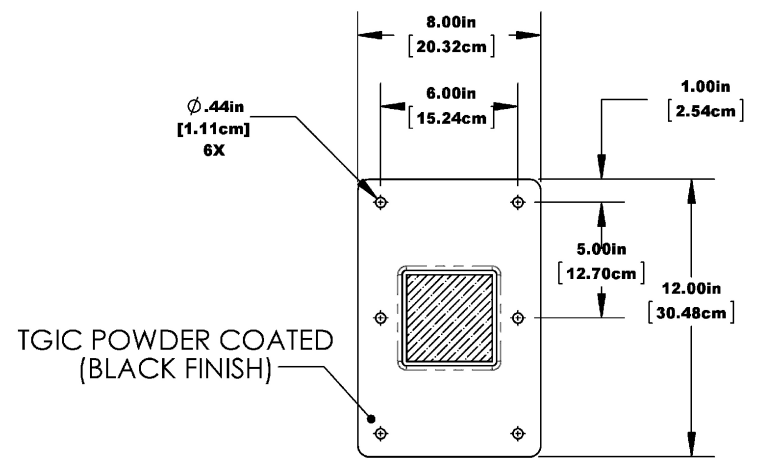


SIDE

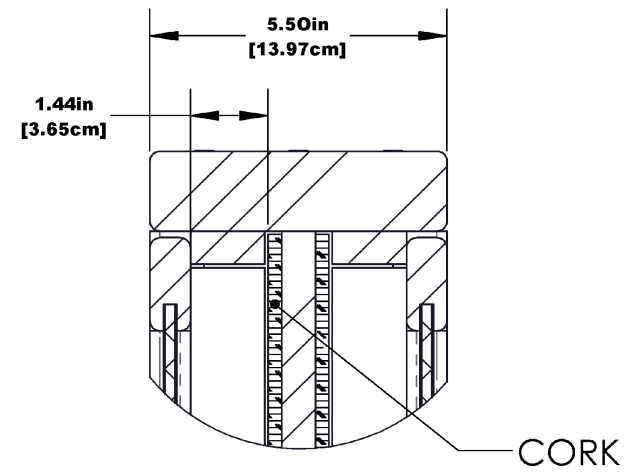
LARGE HORIZONTAL DOUBLE SIDED MESSAGE CENTER SURFACE MOUNT



1 MESSAGE CENTER DETAILS



2 MOUNTING DETAILS



3 MESSAGE CENTER DEPTH DETAILS

HARDWARE: STAINLESS STEEL
MATERIAL: RECYCLED PLASTIC, ACRYLIC, 1/4" CORK