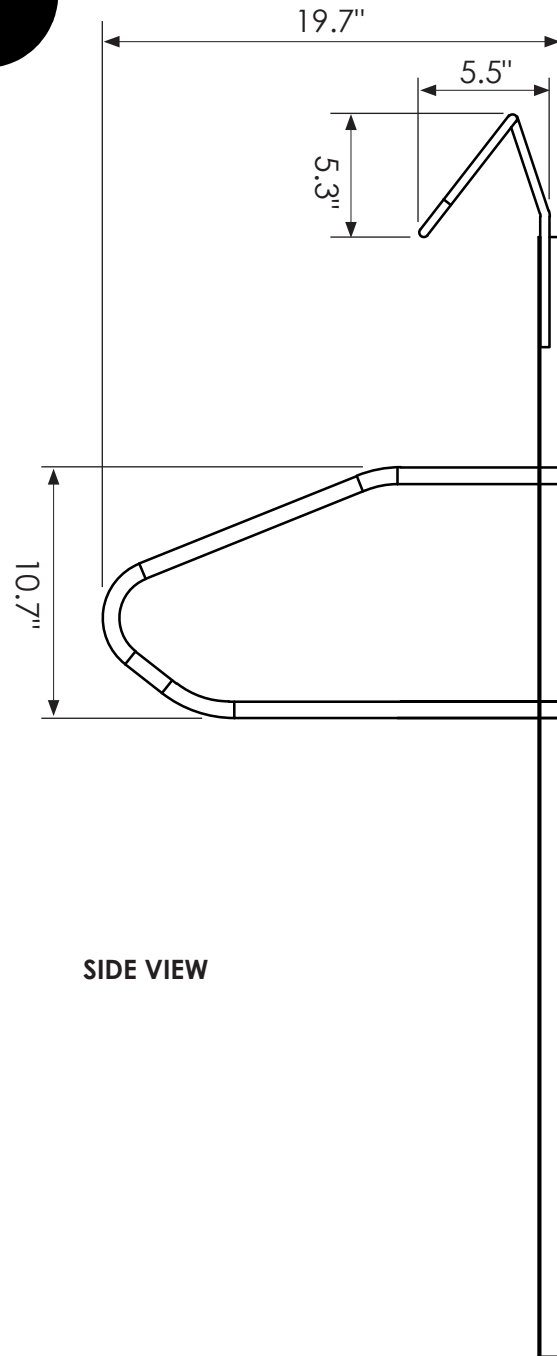
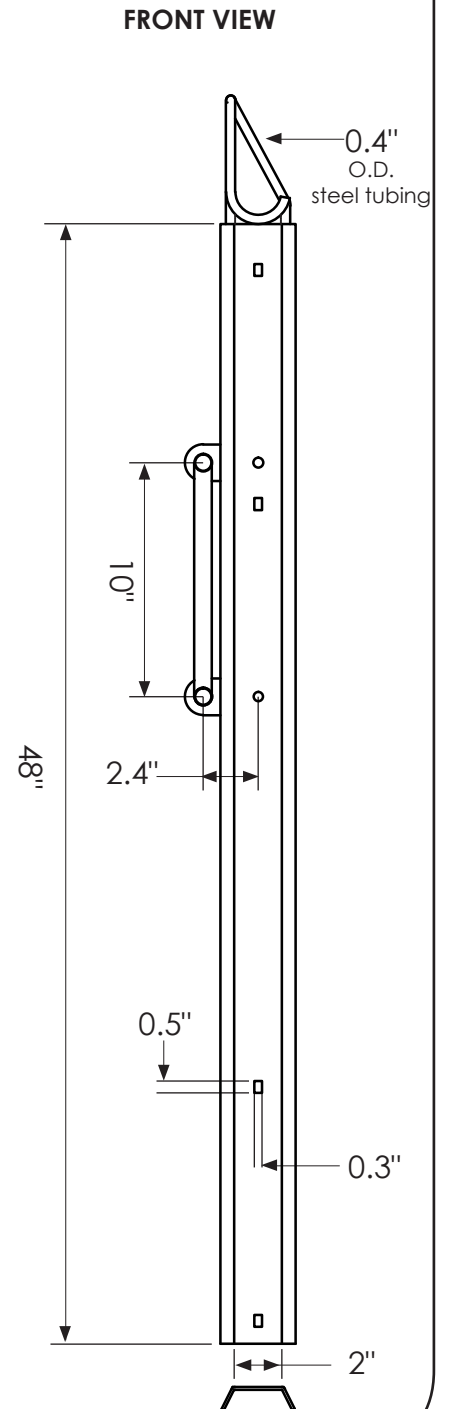


VERTICAL BIKE RACK - 1-BIKE SPECIFICATIONS



SIDE VIEW



FRONT VIEW

.....
TOTAL WEIGHT: 10 lbs
.....

NOTES: Construction Material: Powder-Coated Steel