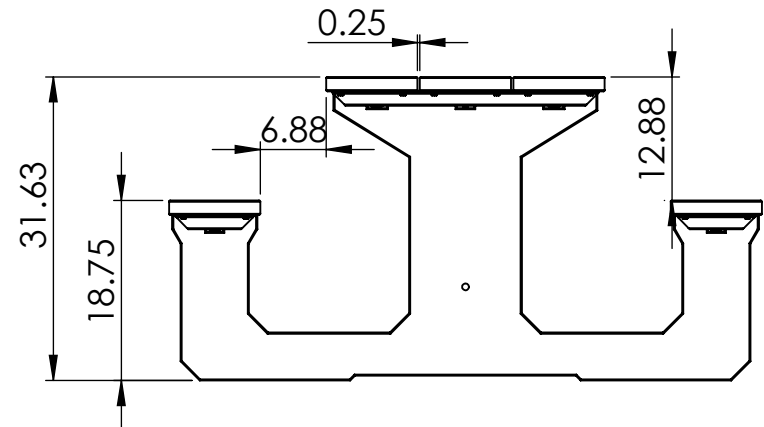
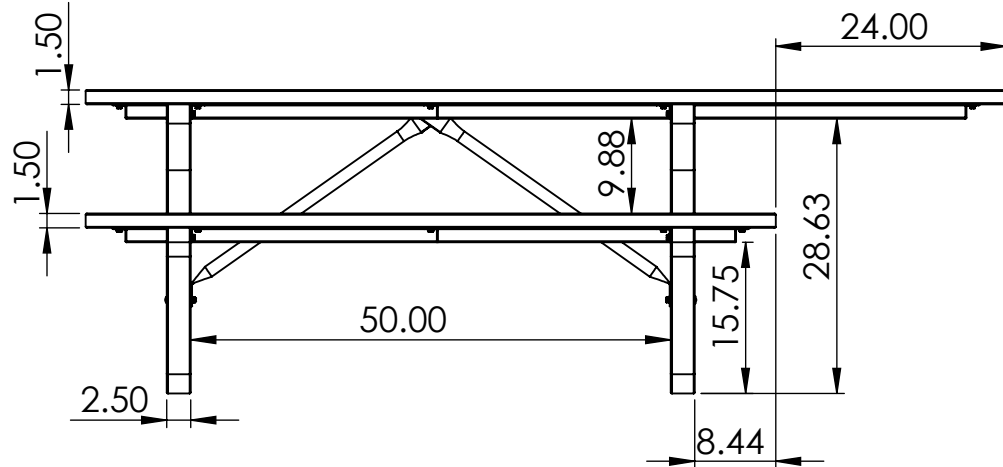
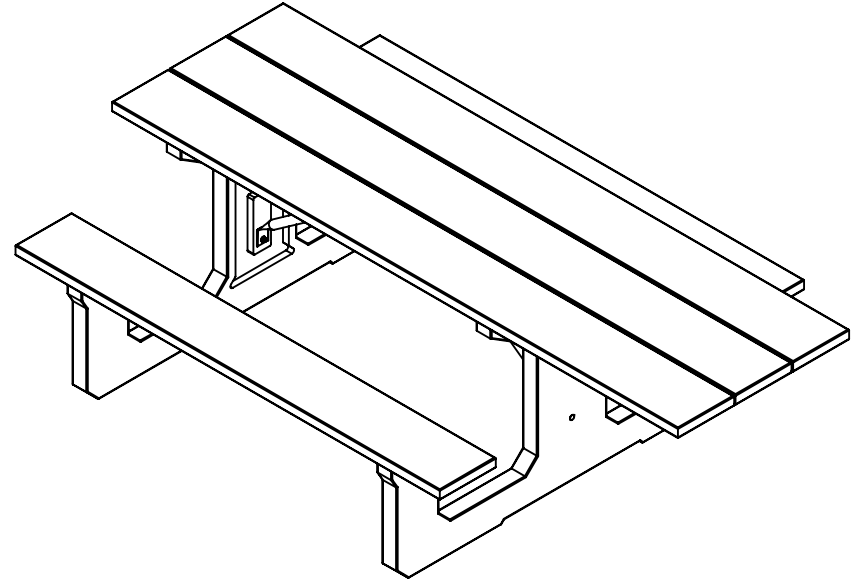
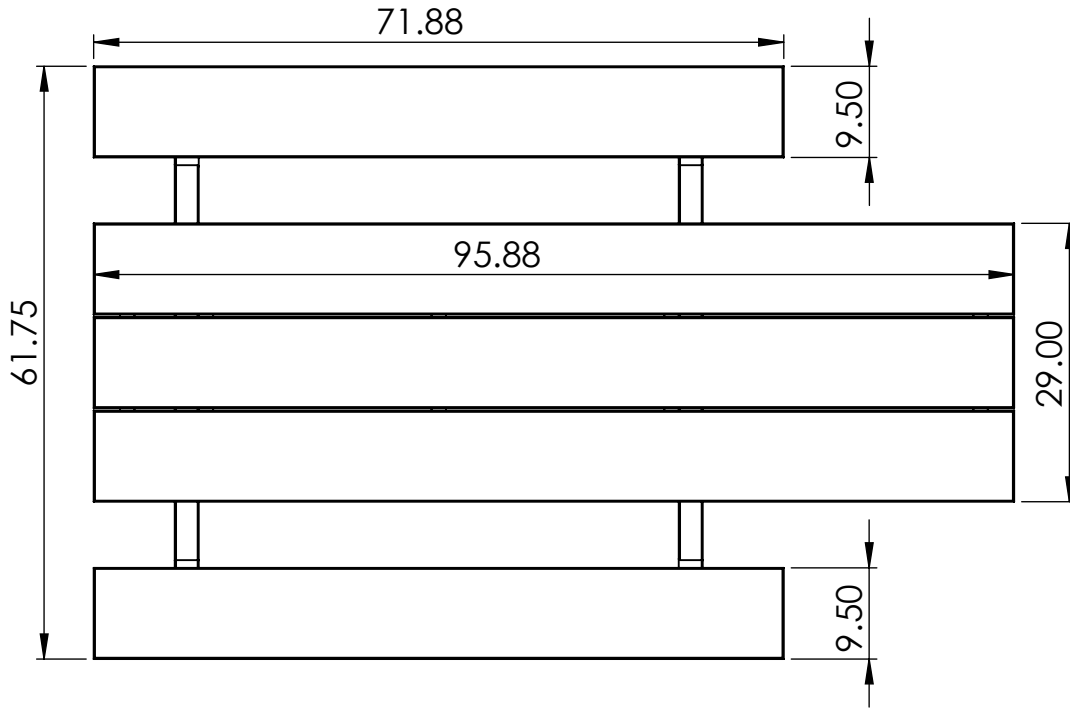


# Solid Plastic Top Walk-Thru ADA Table Specifications BM1460

REV # 1  
6/7/2017



ALL DIMENSIONS ARE SHOWN IN INCHES