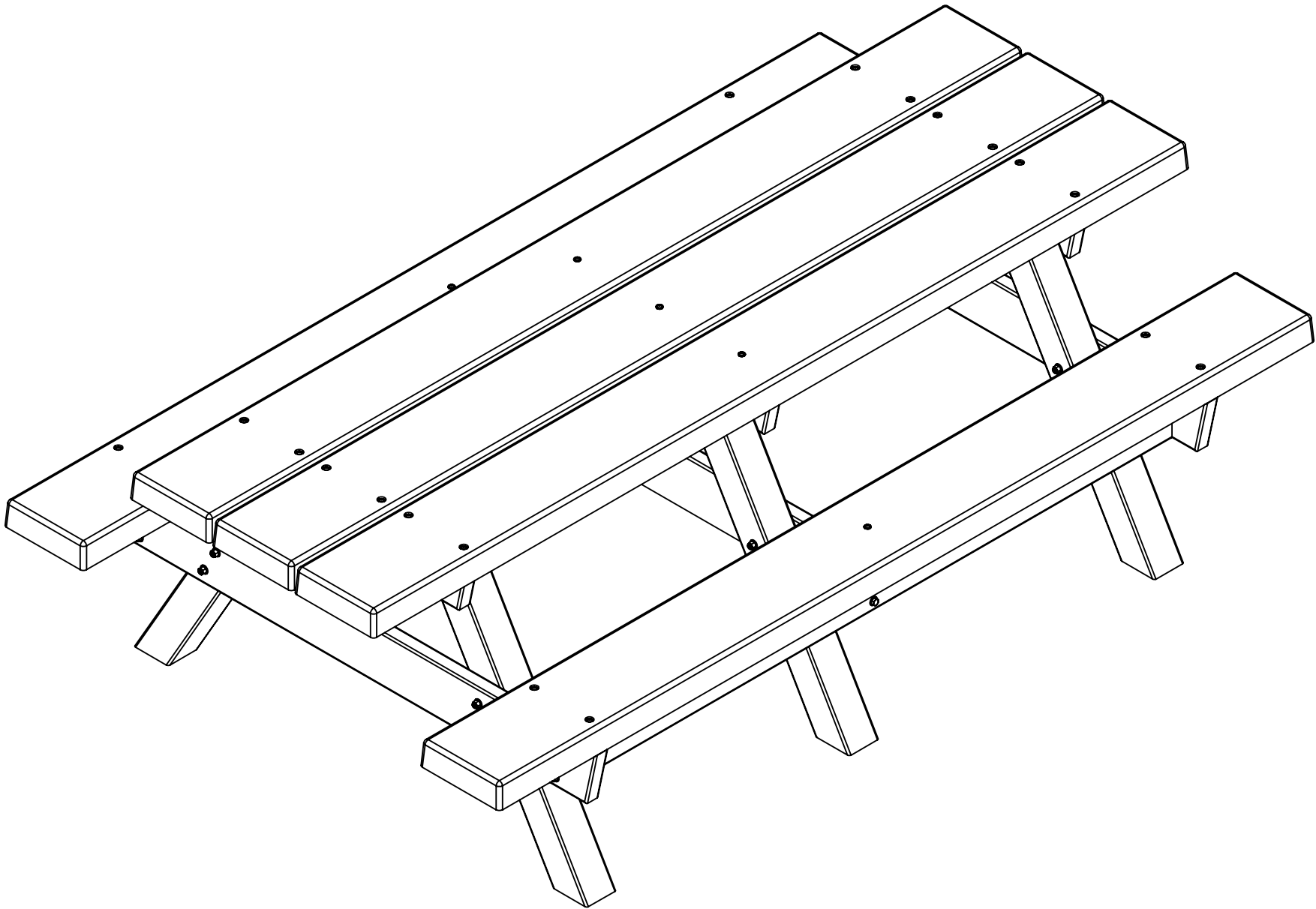
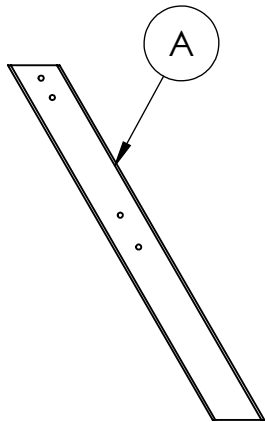


**8FT RECYCLED PLASTIC  
TABLE INSTRUCTIONS  
TB1305**

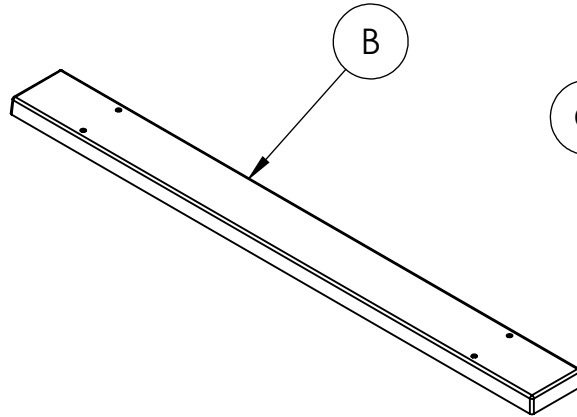
REV# 3  
11-14-22



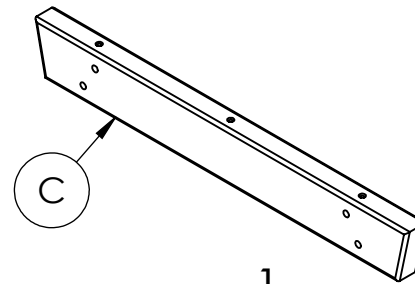
# 8FT RECYCLED PLASTIC TABLE INSTRUCTIONS TB1305



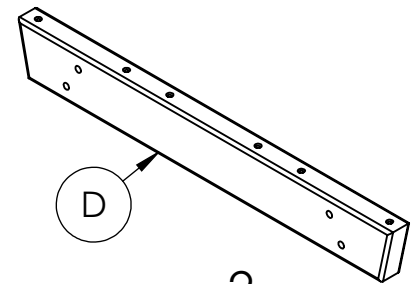
6  
Table Legs  
ATB-P0006



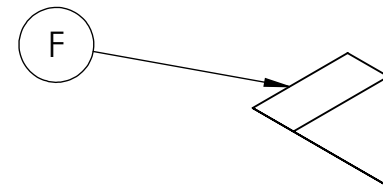
5  
Plastic Boards  
ABC-PTB1010



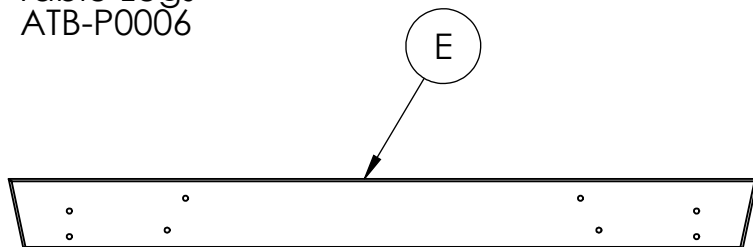
1  
Center tabletop support  
ATB-P0152



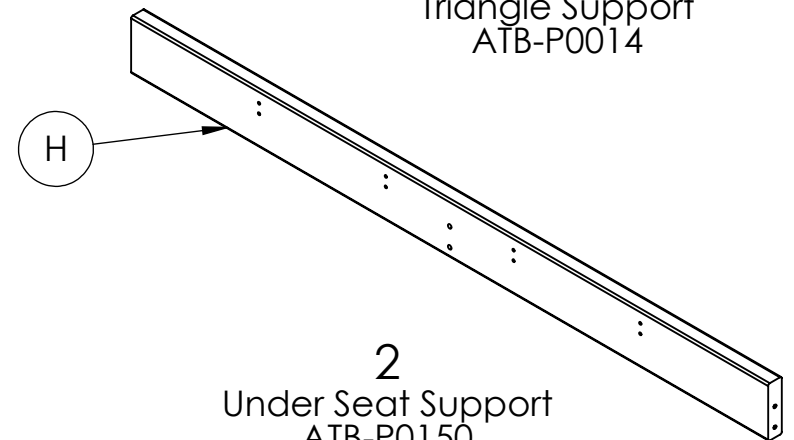
2  
Tabletop Support  
ATB-P0008



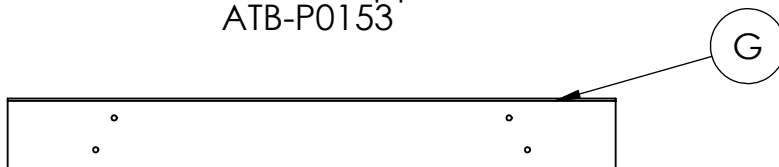
8  
Triangle Support  
ATB-P0014



2  
Cross Seat Support  
ATB-P0153



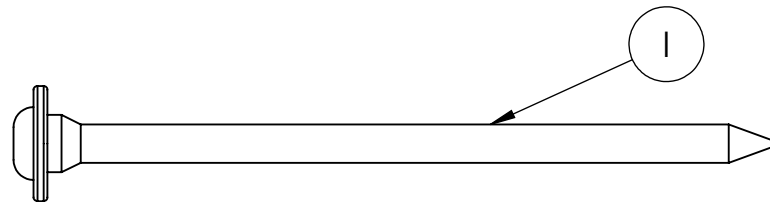
2  
Under Seat Support  
ATB-P0150



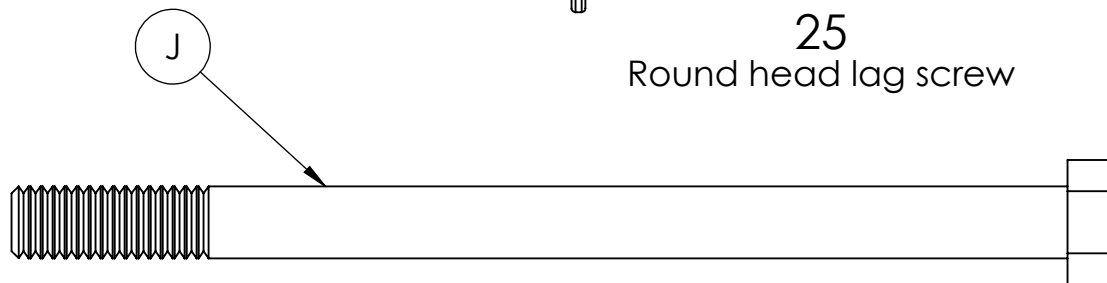
1  
Center Cross Seat Support  
ATB-P0151

**HARDWARE &  
TOOLS REQUIRED  
FOR ASSEMBLY**

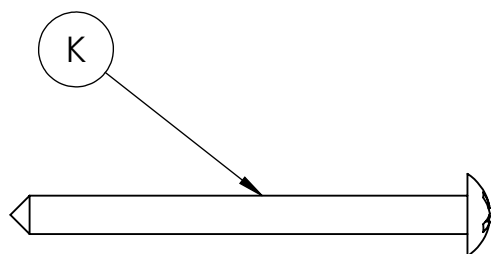
**8FT RECYCLED PLASTIC  
TABLE INSTRUCTIONS  
TB1305**



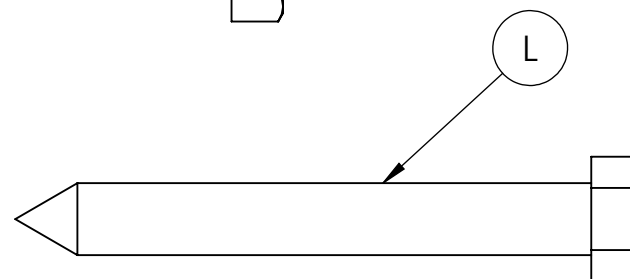
25  
Round head lag screw



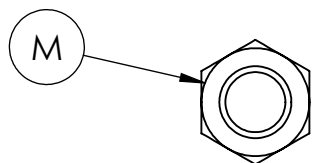
24  
3/8" x 5.5" Hex bolts



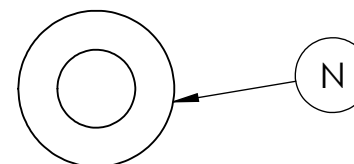
16  
#12 x 2.5" Pan head screw



12  
3/8" x 3" Hex lag bolt



24  
3/8" Nylon lock nut



60  
3/8" Flat washer

**REQUIRED TOOLS  
(NOT INCLUDED)**  
2 - 9/16" WRENCH  
1 - #3 PHILLIPS BIT  
1 - SCREW GUN

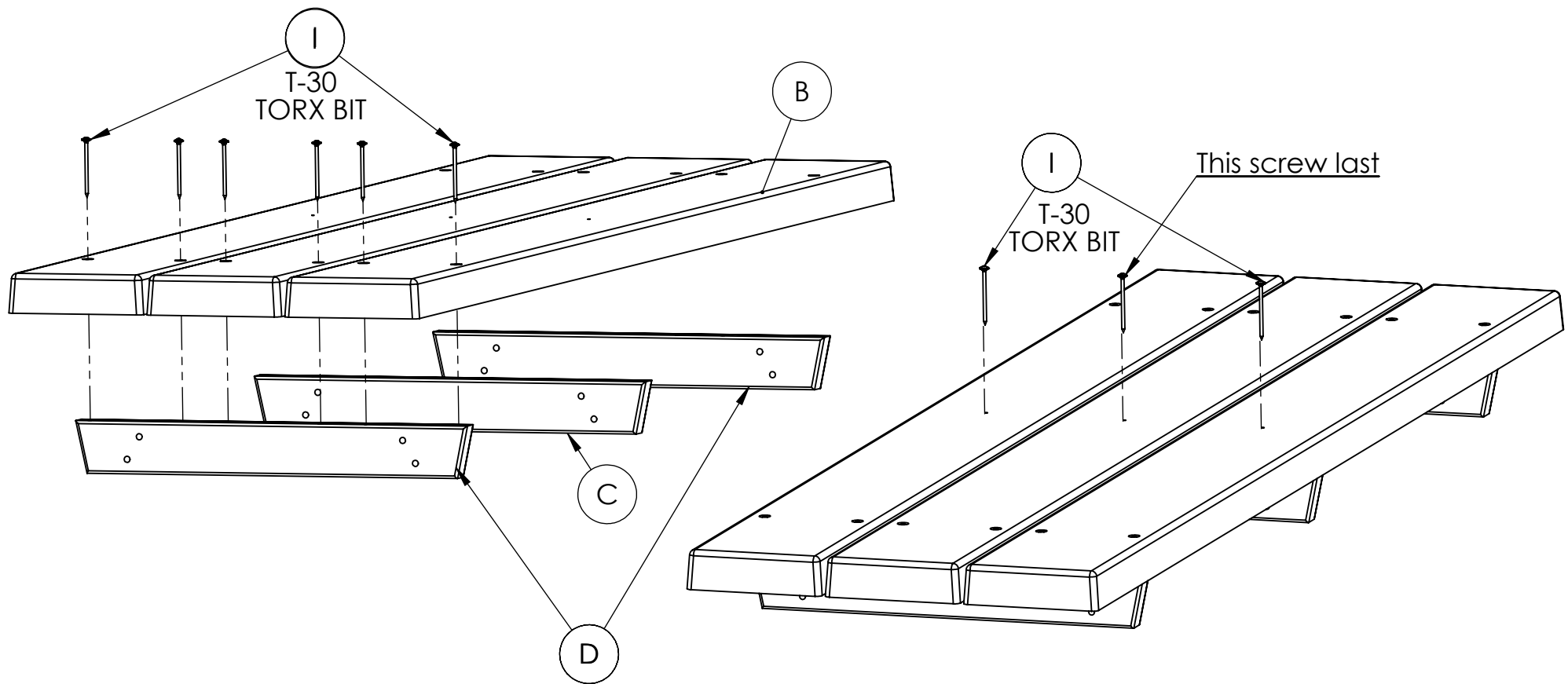
**NOTE: IT IS IMPORTANT TO KEEP ALL BOLTS FINGER TIGHT  
DURING ASSEMBLY UNTIL ENTIRE TABLE IS ASSEMBLED**

**HARDWARE &  
TOOLS REQUIRED  
FOR ASSEMBLY**

# 8FT RECYCLED PLASTIC TABLE INSTRUCTIONS TB1305

## Step 1 Tabletop Assembly

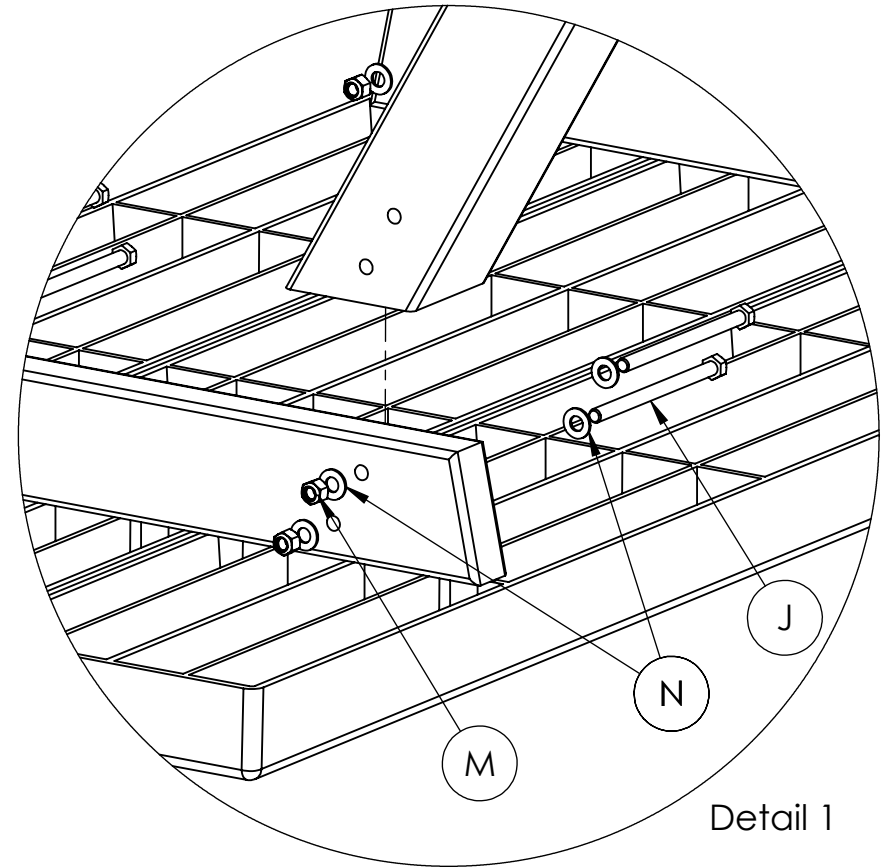
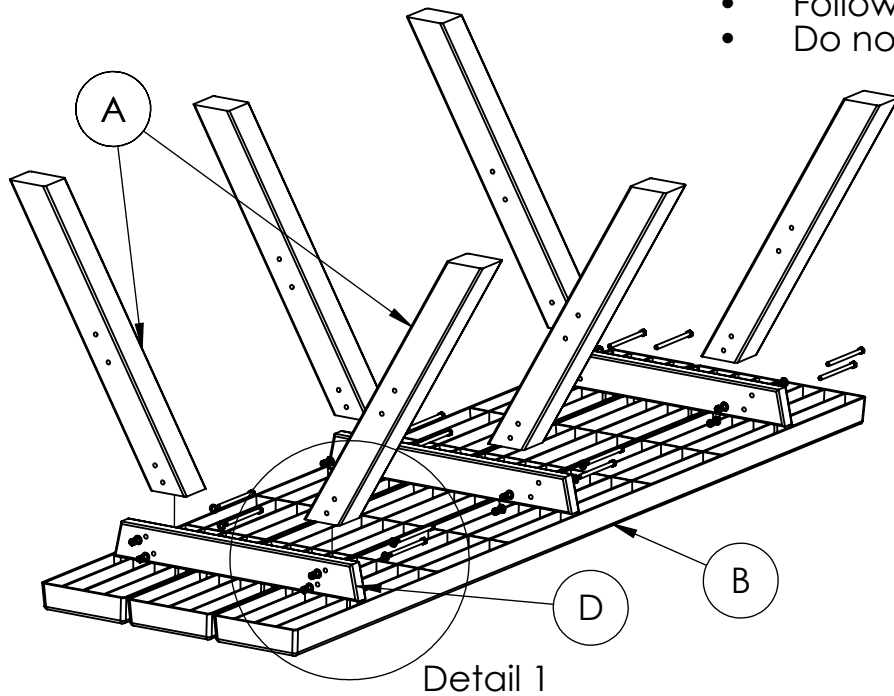
- Lay all tabletop supports (C&D) out on a level surface with tabletop support C in the center
- Place 3 plastic boards (B) on top of the tabletop supports (C&D)
- Align the holes in the plastic boards (B) with the predrilled holes in the outer tabletop supports (D)
- Attach the plastic boards to the outer tabletop supports with (12) round head lag screws (I)  
Use supplied T-30 torx bit
- Align the holes in the center of the plastic boards (B) with the predrilled holes in center tabletop support (C)
- Secure the center tabletop support to the plastic boards working from the outside towards the center



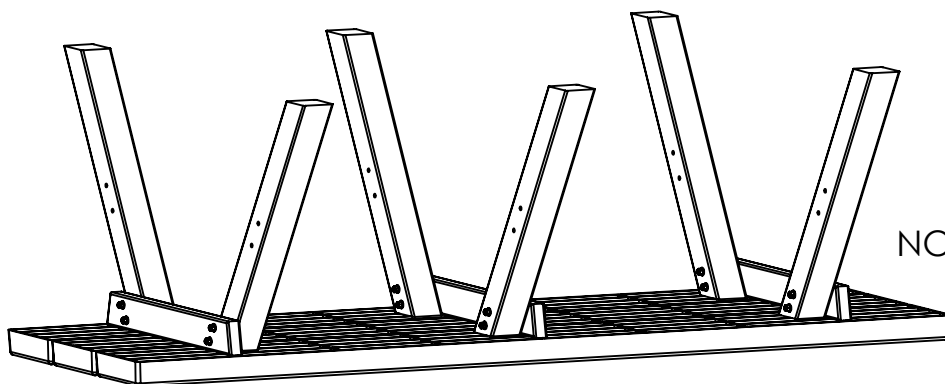
# 8FT RECYCLED PLASTIC TABLE INSTRUCTIONS TB1305

## Step 2 Leg Assembly

- Turn the tabletop assembly upside down
- Align the table legs (A) with the tabletop supports (C&D)
- Insert a 3/8" x 5.5" hex bolt (J) with a 3/8" flat washer (N) through the tabletop support (D) and table leg (A)
- Secure with a 3/8" flat washer (N) and 3/8" nylon lock nut (M)
- Repeat for each table leg
- Follow the leg placement shown below
- Do not tighten bolts completely, this will be done last



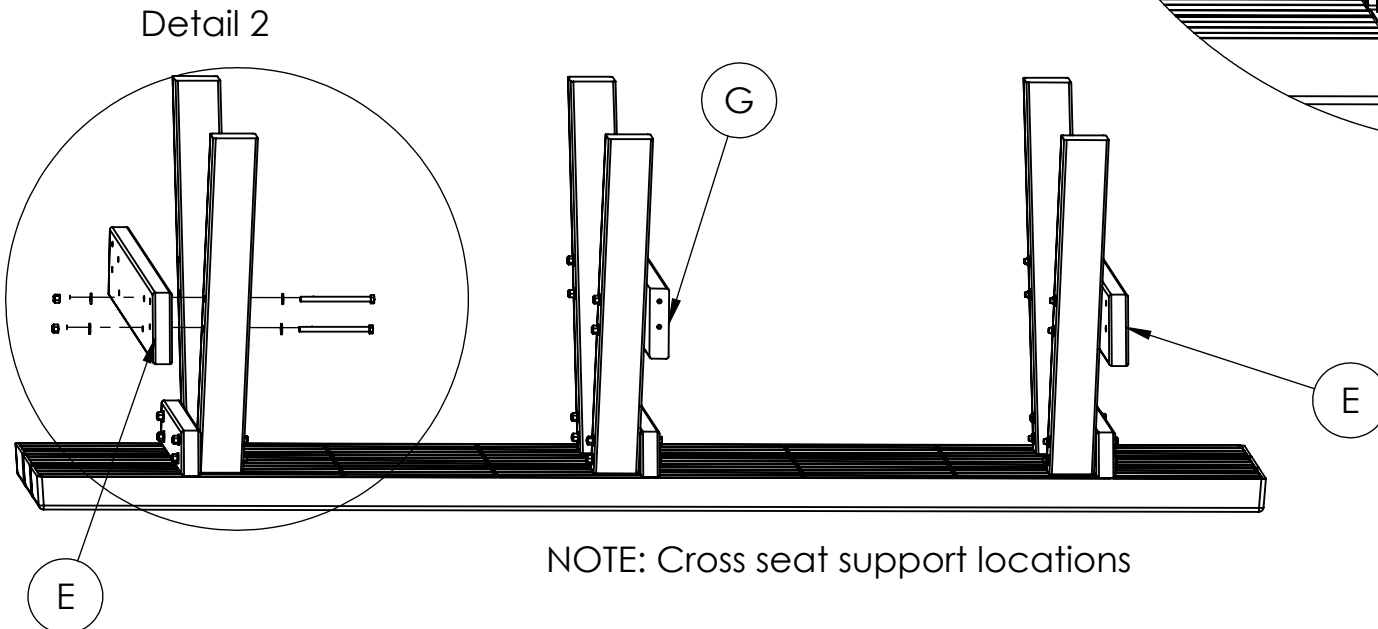
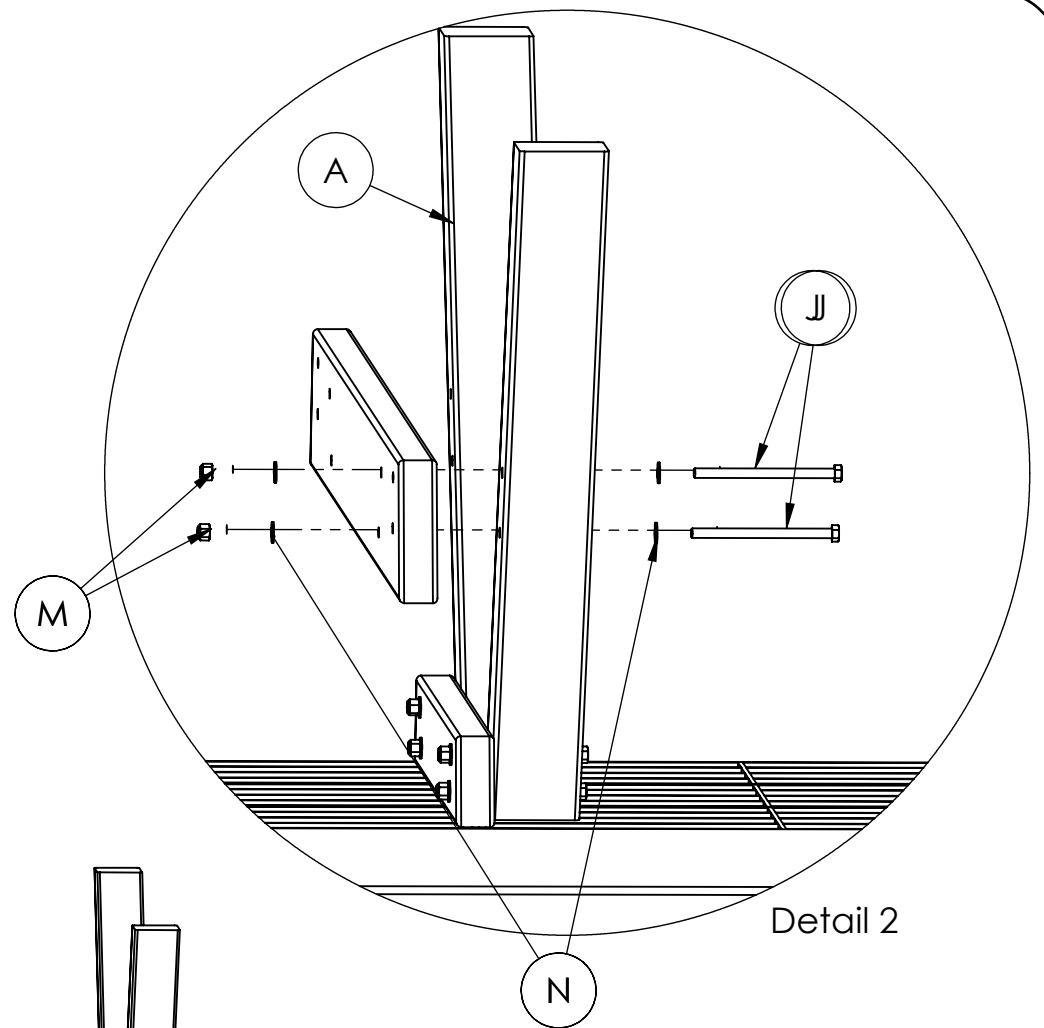
NOTE: Leg Placement



# 8FT RECYCLED PLASTIC TABLE INSTRUCTIONS TB1305

## Step 3 Cross Seat Supports

- Align the cross seat support (E) with an outside table leg (A)
- Insert a 3/8" x 5.5" hex bolt (J) with a 3/8" flat washer (N) through each hole in the cross seat support (E) and table leg (A)
- Secure with a 3/8" flat washer (N) and 3/8" nylon lock nut (M)
- Repeat for the other cross seat support (E) and the center cross seat support (G)
- Note the location on the table legs below

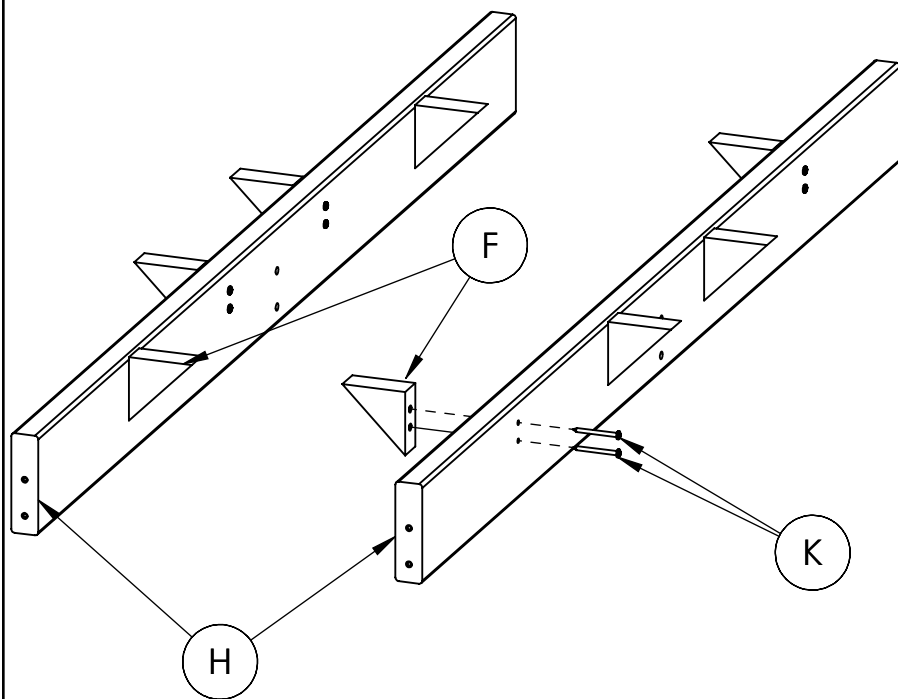


NOTE: Cross seat support locations

# 8FT RECYCLED PLASTIC TABLE INSTRUCTIONS TB1305

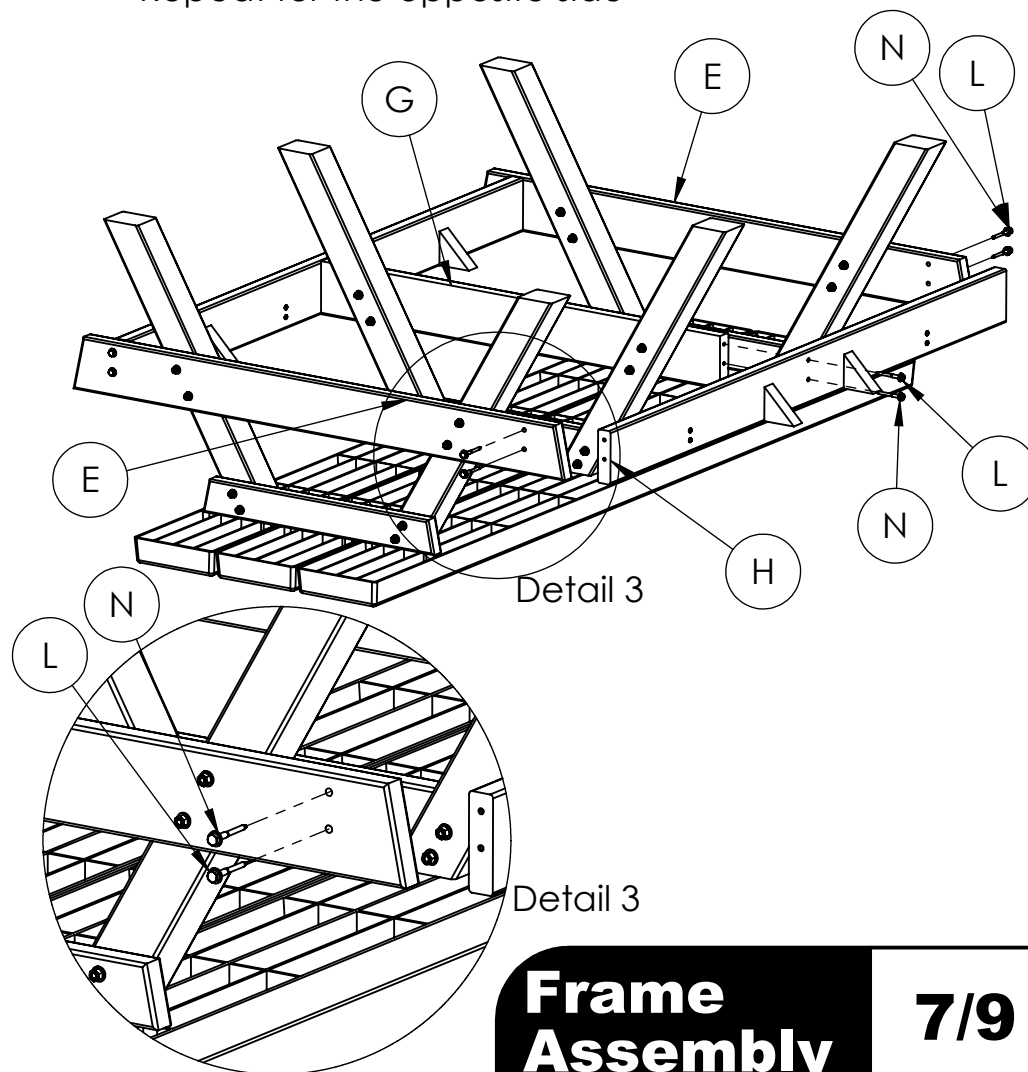
## Step 4 Triangle Supports

- Place the under seat supports (H) on a level surface
- Align the predrilled holes in the under seat support (H) and the triangle support (F)
- Secure (4) triangle supports (F) to each under seat support (H) with #12 x 2.5" pan head screws (K)



## Step 5 Under Seat Supports

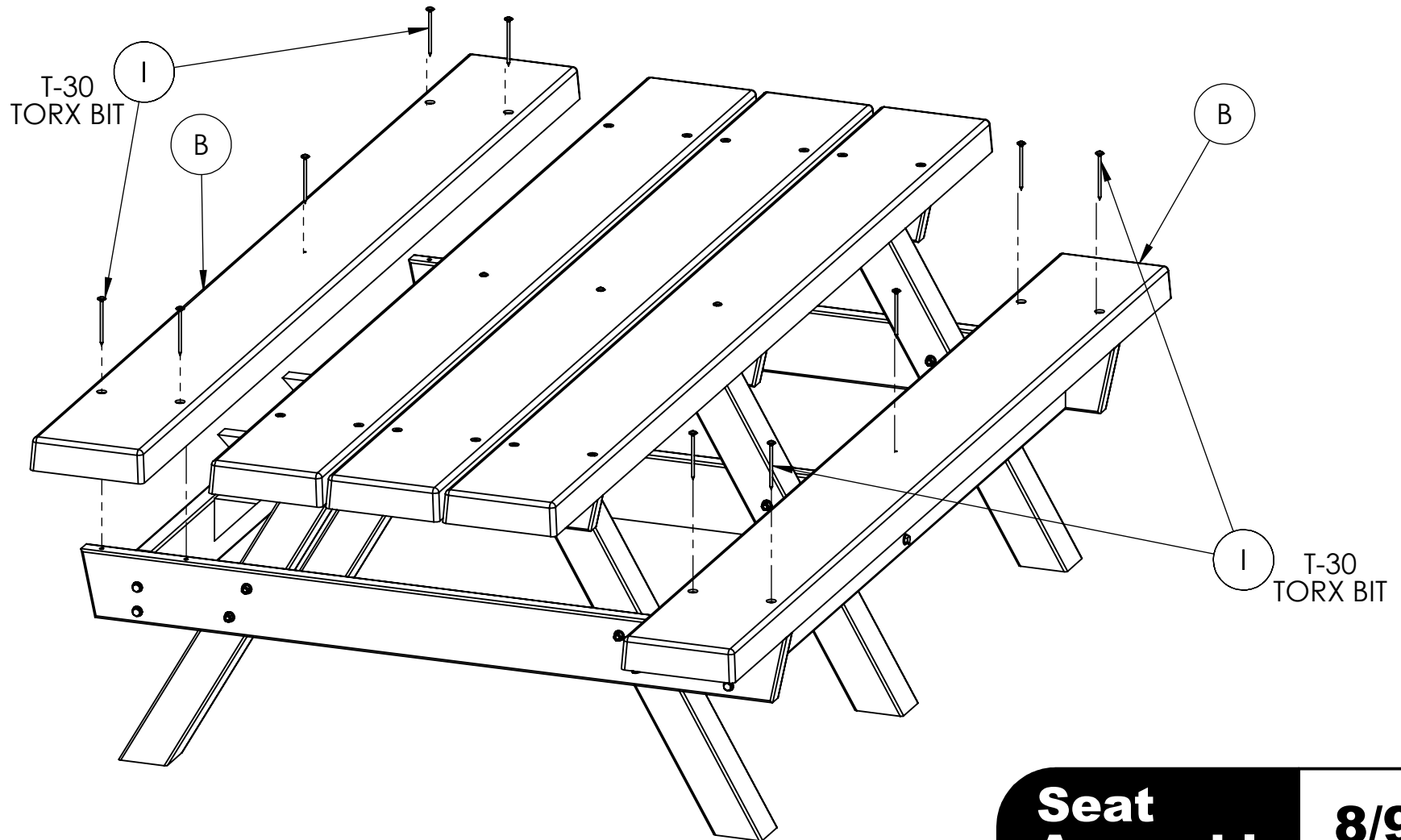
- Place the under seat support (H) in between the cross seat supports (E)
- Align the predrilled holes in the face of the cross seat support (E) with the predrilled holes in the end of the under seat support (H)
- Secure each end with 3/8" x 3" hex lag bolt (L) and a 3/8" flat washer (N) per each hole
- Secure the under seat support to the center cross seat support (G) with 3/8" x 3" hex lag bolt (L) and a 3/8" flat washer (N) per each hole
- Repeat for the opposite side



# 8FT RECYCLED PLASTIC TABLE INSTRUCTIONS TB1305

## Step 6 Seat Assembly

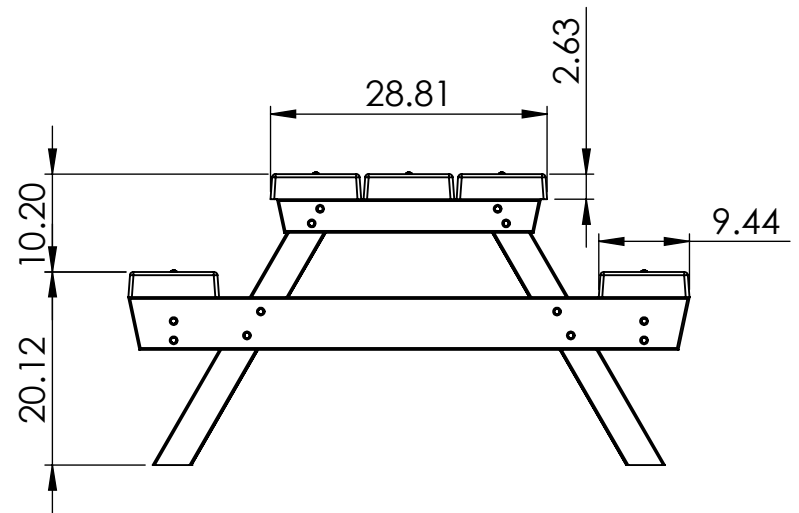
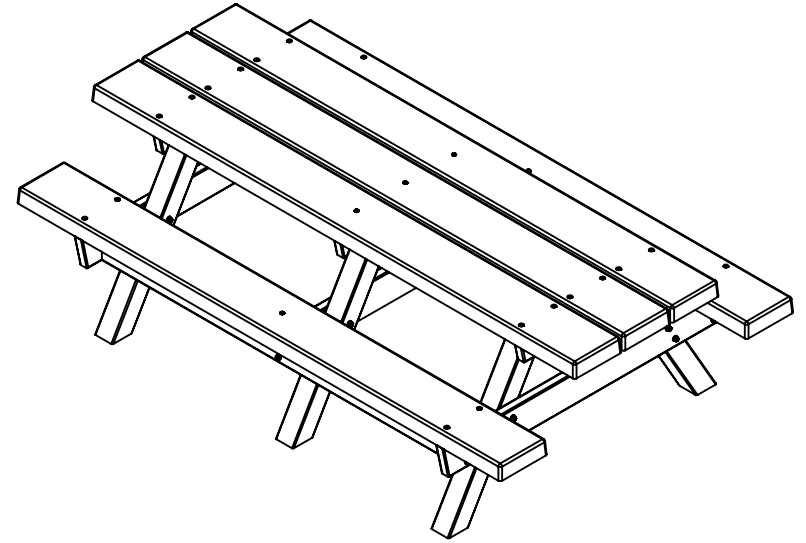
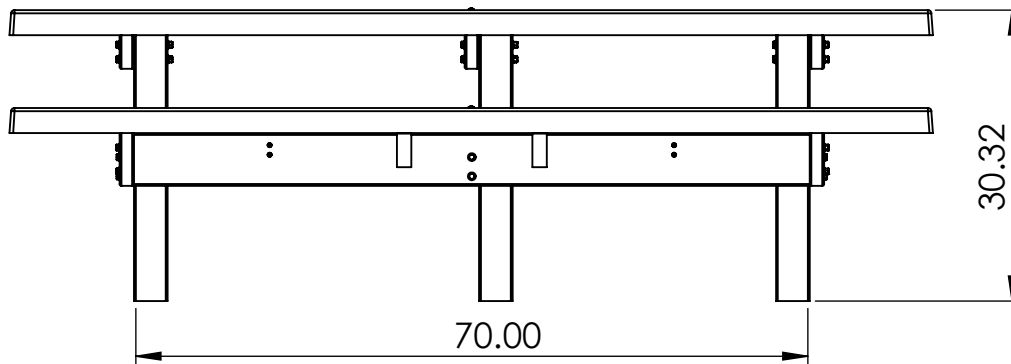
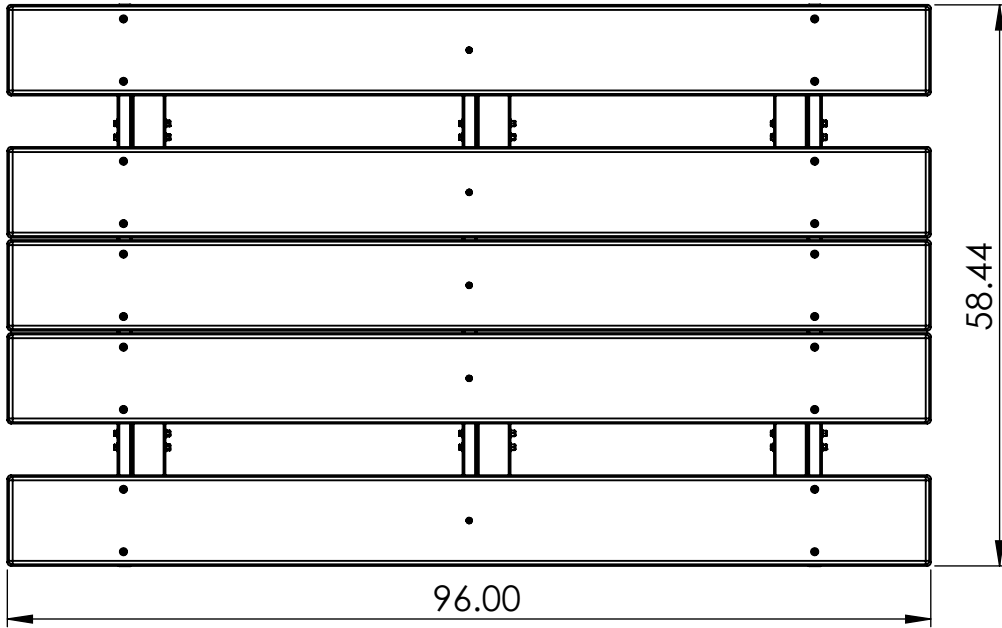
- With 2 people, carefully turn the table right side up
- Place a plastic board (B) over the under seat support (H)
- Align the holes in the plastic board (B) with the predrilled holes in the under seat support (H)
- Secure the plastic board (B) with (1) round head lag screw (I) per hole. Use supplied T-30 torx bit
- Repeat for the opposite seat area
- Square all parts and tighten all hardware





# 8FT RECYCLED PLASTIC TABLE SPECIFICATIONS TB1305

REV# 2  
8-8-2018



ALL DIMENSIONS SHOWN IN INCHES

## CONSTRUCTION MATERIALS:

LEGS - 4X4 RECYCLED PLASTIC LUMBER

SEATS & TABLE TOP - HDPE PLASTIC

SEAT SUPPORTS - 2X6 RECYCLED PLASTIC LUMBER

## HARDWARE:

STAINLESS STEEL