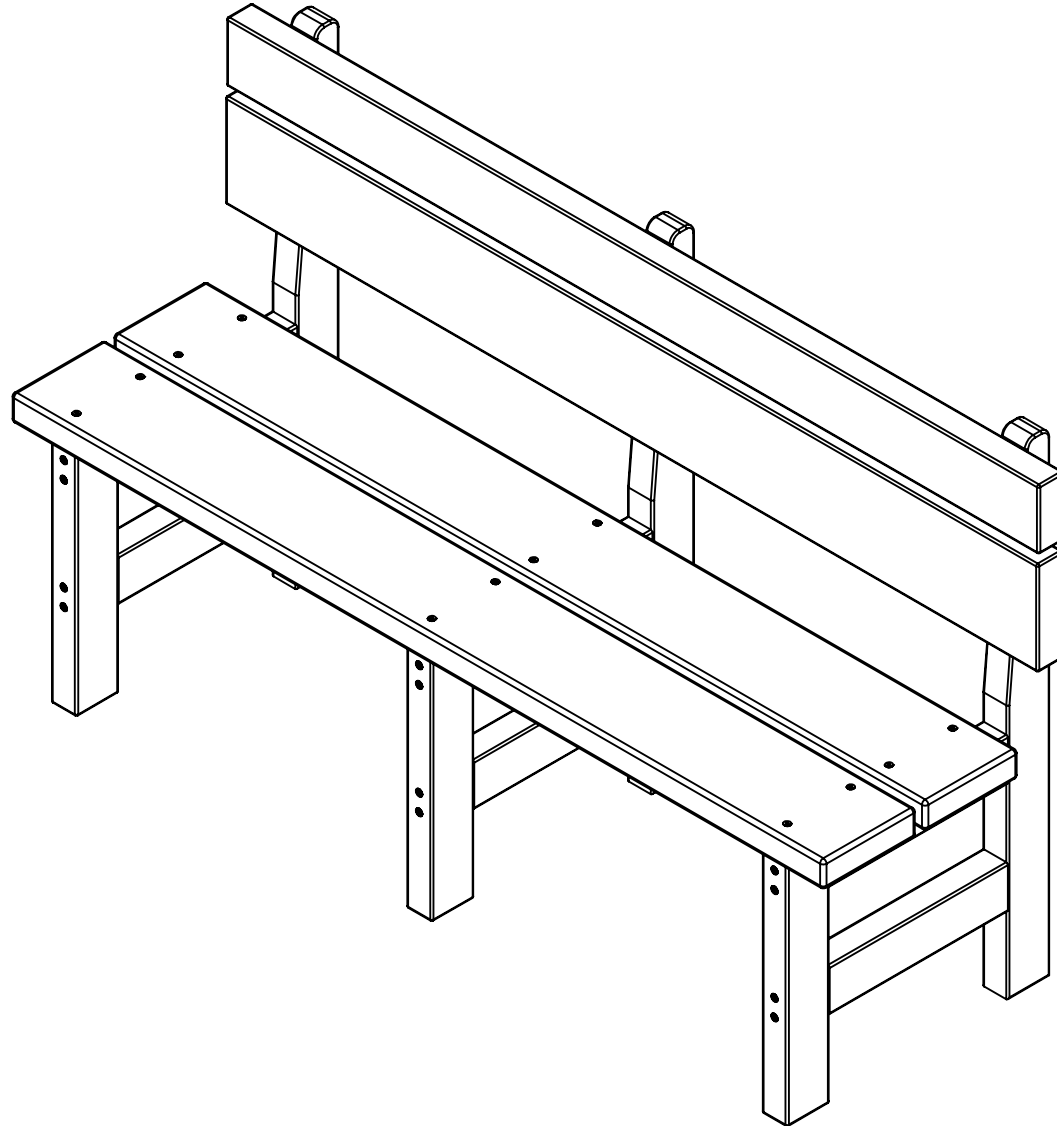
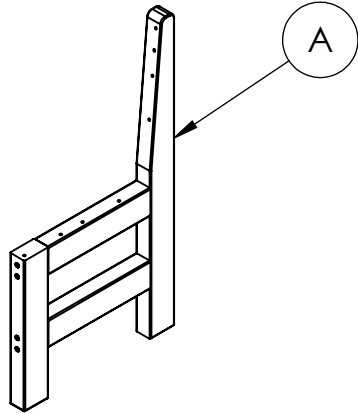


# BENCH INSTRUCTIONS

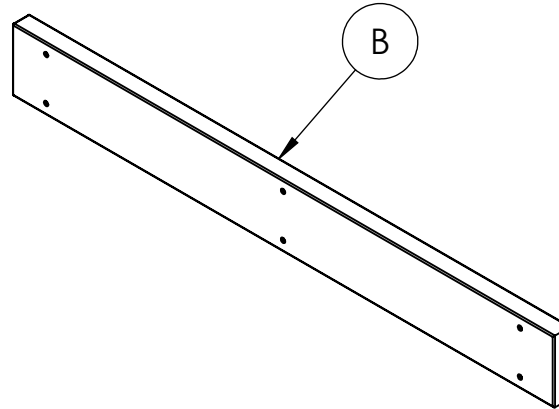
REV# 1  
12/28/2017



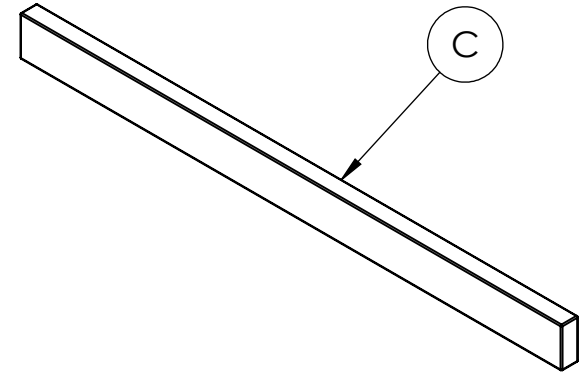
# BENCH INSTRUCTIONS



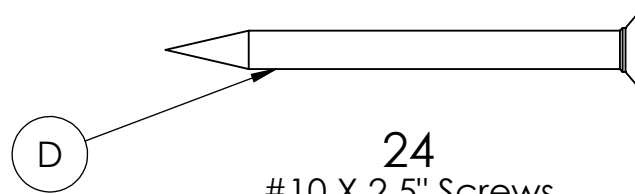
3  
Bench End



3  
2x6  
Plastic Boards



1  
2x4  
Plastic Boards



24  
#10 X 2.5" Screws

## REQUIRED TOOLS (NOT INCLUDED)

- POWER DRILL
- #2 SQUARE DRIVE

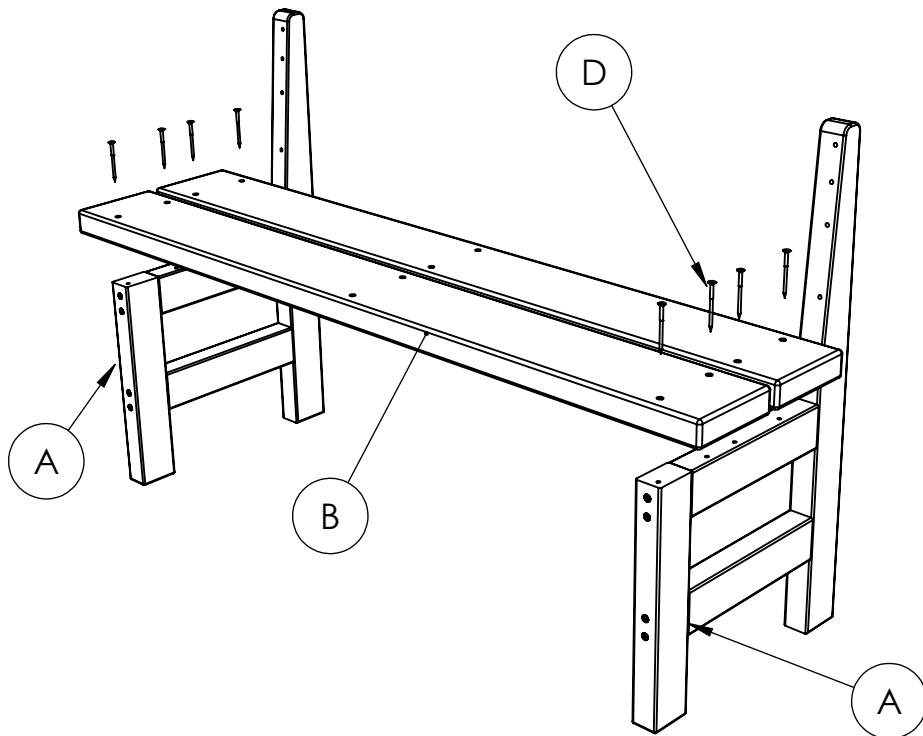
**HARDWARE &  
TOOLS REQUIRED  
FOR ASSEMBLY**

**2/5**

# BENCH INSTRUCTIONS

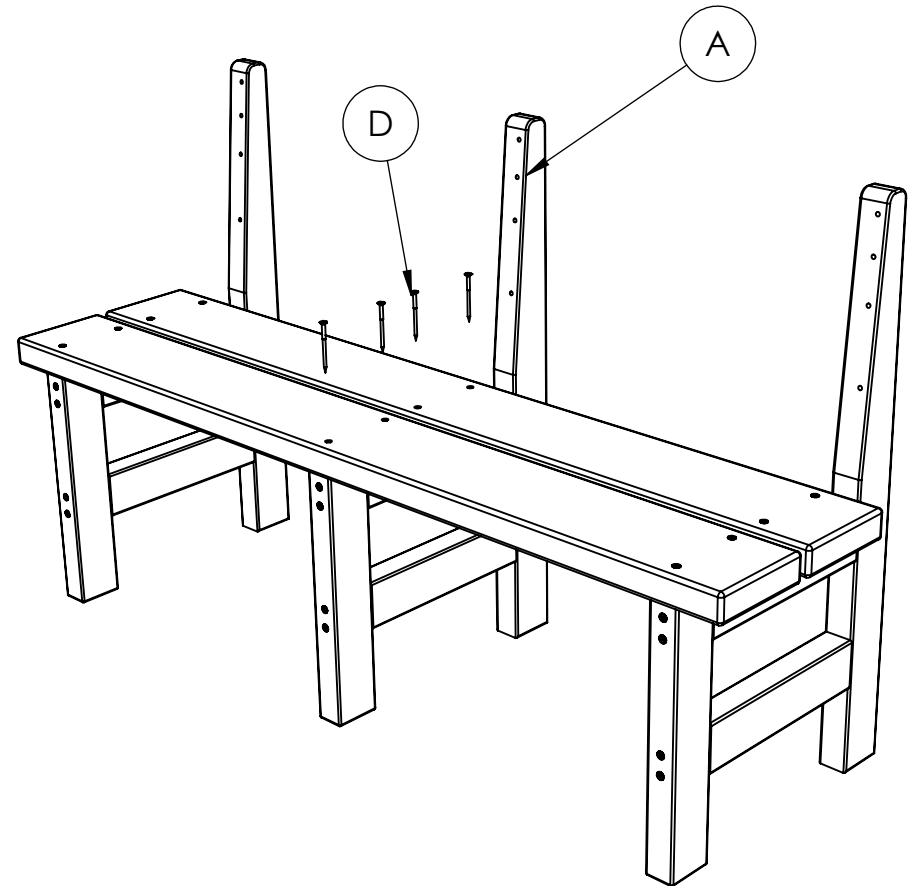
## STEP 1 Seat Assembly

- Stand two outer bench ends (A) upright
- Lay a plastic board (B) over the bench ends (A)
- Align the holes in the plastic board with the predrilled holes in the bench ends
- Secure the board with the #10 x 2.5" screws (D)
- Repeat for each plastic seat board (B)



## STEP 2 Seat Assembly

- Move the remaining bench end (A) to the center of the bench
- Align the predrilled holes in the bench end with holes in the plastic board (B)
- Secure both plastic boards to the bench end with #10 x 2.5" screws (D)



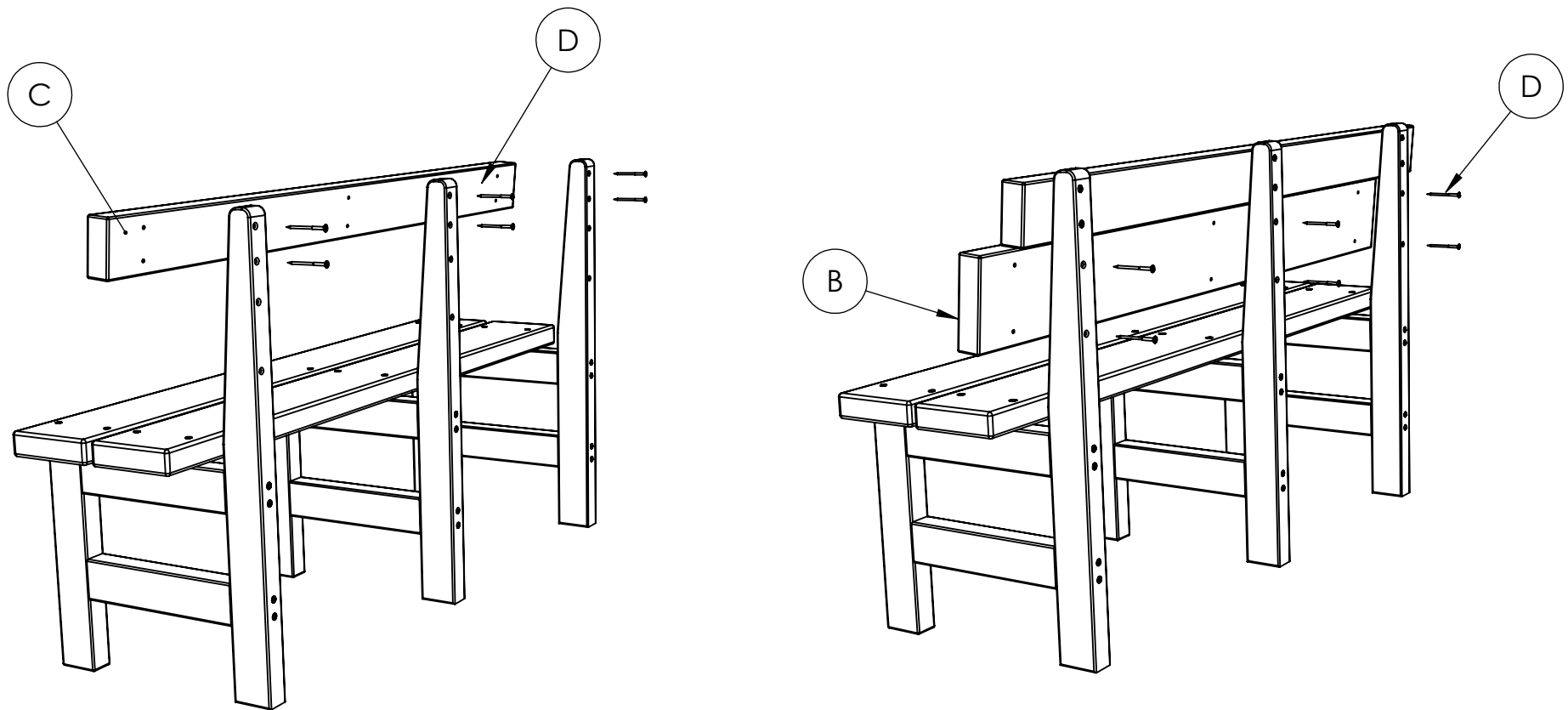
# BENCH INSTRUCTIONS

## STEP 3 Backrest Assembly

- Start a screw (D) in the back side of the back rest
- Thread the screw in enough so just the tip of the screw is through the front of the bench end
- Hold a plastic board (C) up to the back rest portion of the bench end (A)

Note: The smaller board attaches to the top

- Align the screw tip with the predrilled holes in the plastic board (B) and tighten the screw
- Repeat steps for remaining plastic board (B)



**NOTE: IT IS IMPORTANT TO NOT OVER TIGHTEN THE SCREWS GOING INTO THE ENGRAVED BENCHES OR THE SCREW WILL PROTRUDE OUT INTO THE FRONT OF THE BOARDS**

**BACK  
ASSEMBLY**

**4/5**

# BENCH SPECIFICATIONS BC153X

REV# 1  
12/28/2017

ALL DIMENSIONS ARE SHOWN IN INCHES

