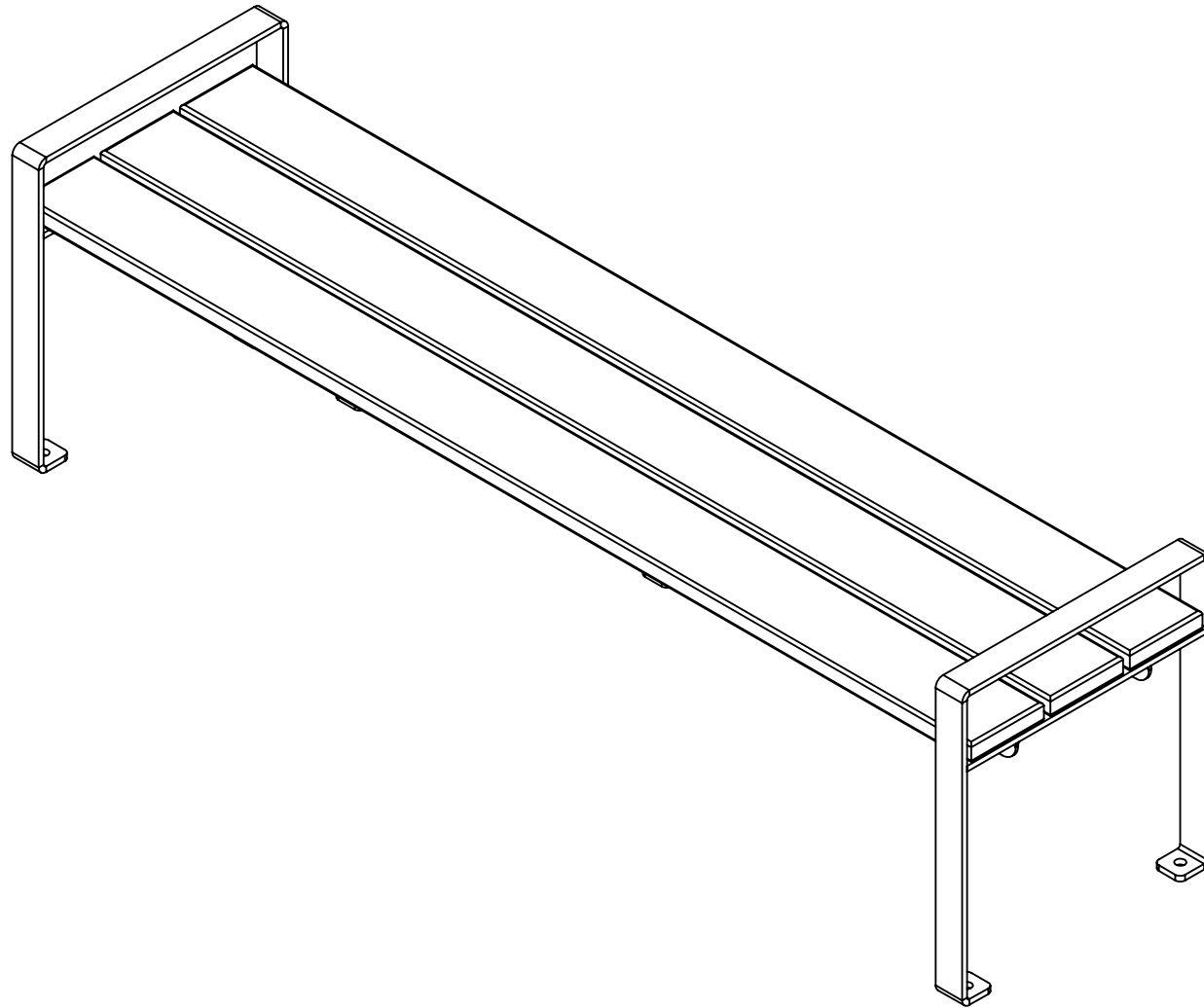


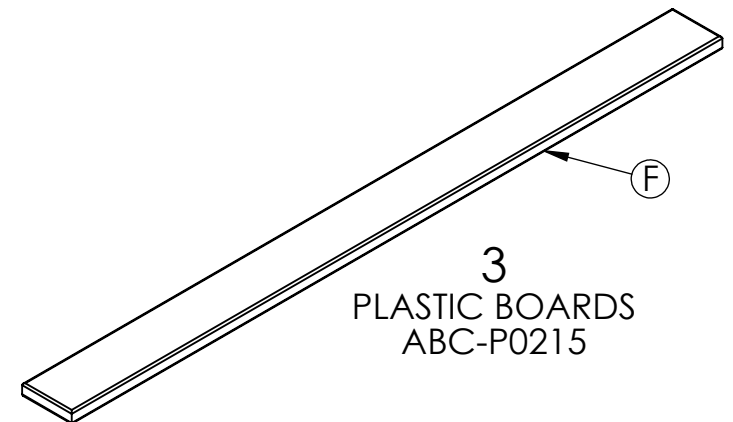
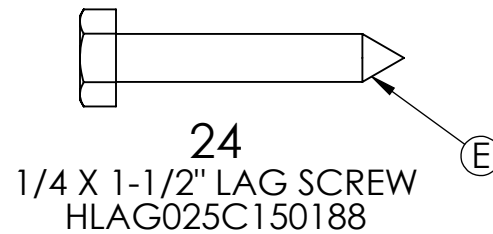
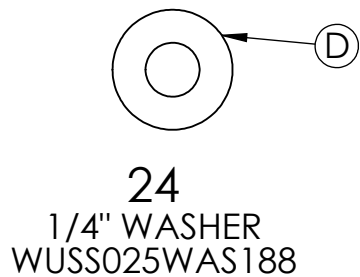
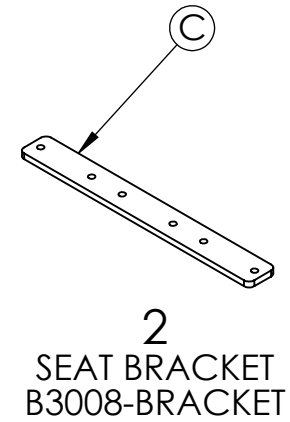
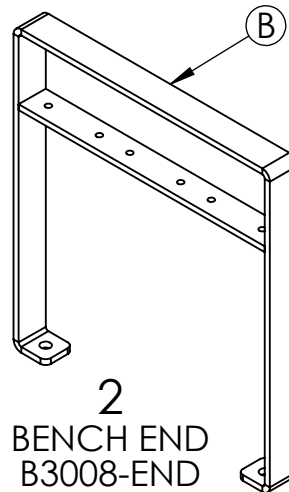
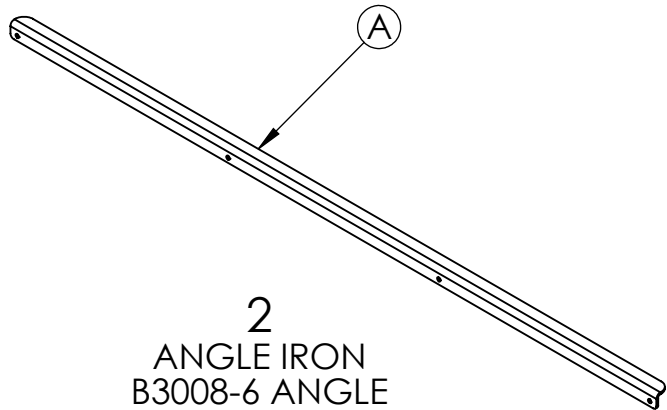
# BENCH INSTRUCTIONS

BC1936

REV# 1  
2/24/2017



# BENCH INSTRUCTIONS



**REQUIRED TOOLS  
(NOT INCLUDED)**  
- 7/16 WRENCH / SOCKET  
- 90 DEGREE SQUARE

**NOTE: IT IS IMPORTANT TO KEEP ALL SCREWS LOOSE  
DURING ASSEMBLY UNTIL ENTIRE BENCH IS ASSEMBLED**

**HARDWARE &  
TOOLS REQUIRED  
FOR ASSEMBLY**

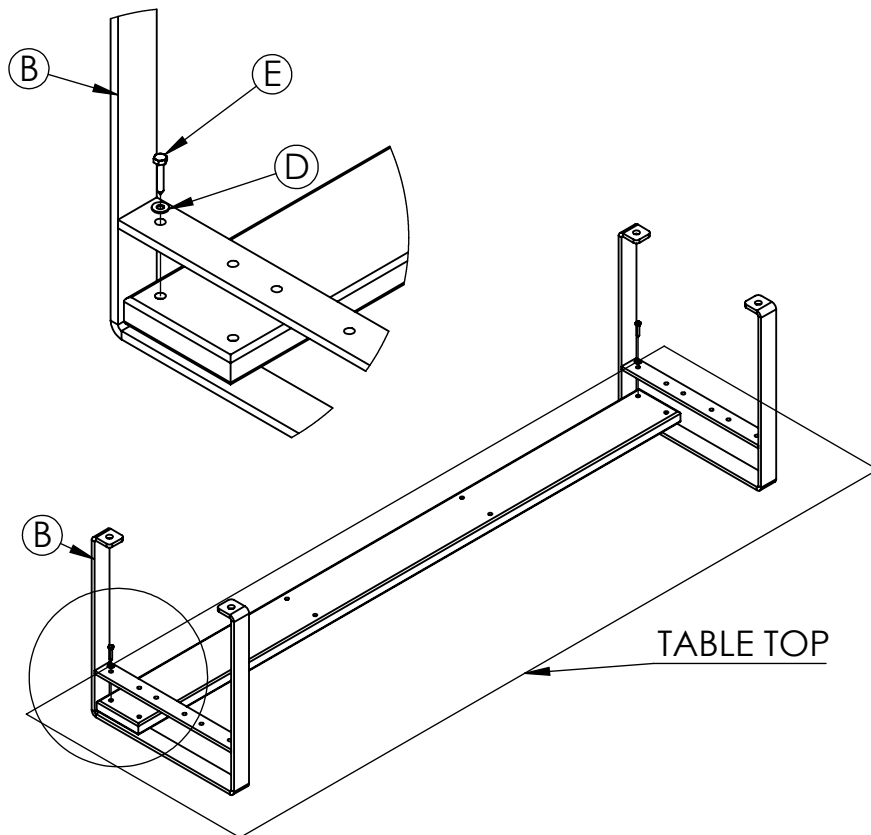
**2/5**

# BENCH INSTRUCTIONS

## STEP 1 Seat Assembly

- Set two bench ends (B) upside down on a table
- Lay a plastic board (F) under the end (B) closest to the leg
- Align the holes on the plastic board (F) with the holes on the bench ends (B)
- Secure the bench end (B) with the 1/4x1-1/2" lag screws (E) thru the 1/4" washer (D) thru the end (B) into the plastic board (F) closest to the leg

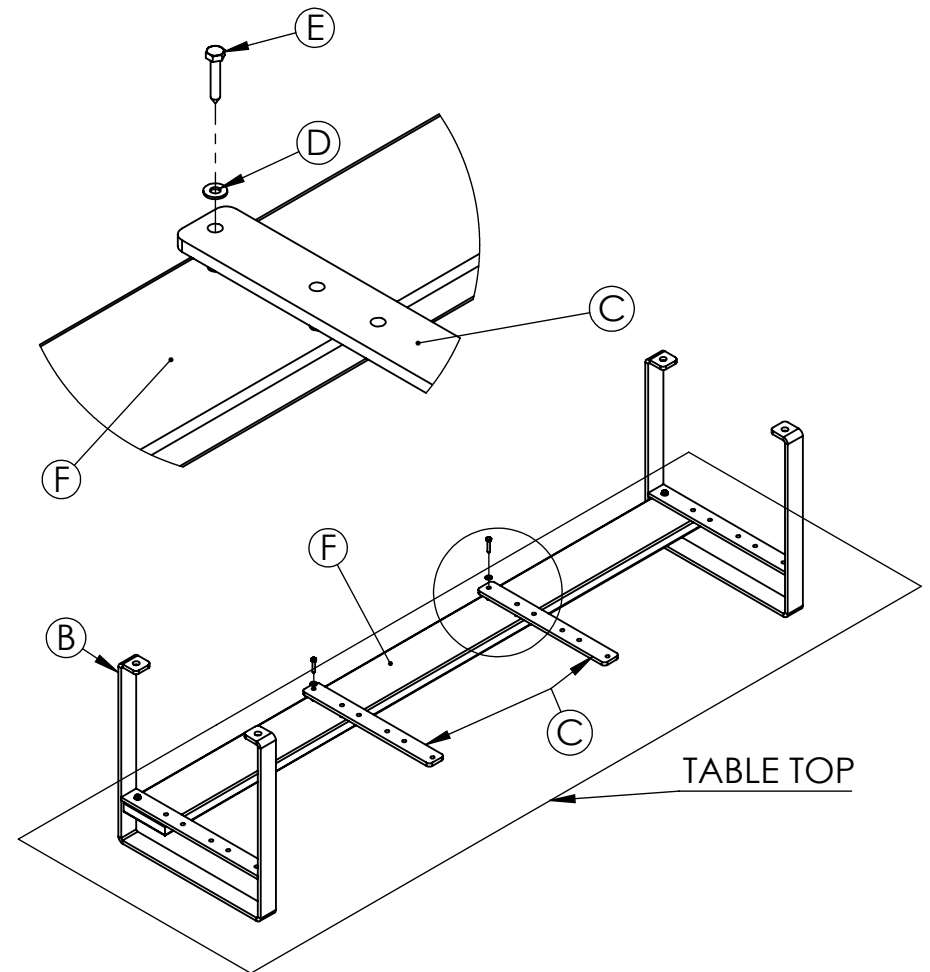
**NOTE: ONLY ONE HOLE WILL HAVE LAG SCREWS, STEP 3 PLACES THE OTHER LAG SCREW INTO THE BOARD**



## STEP 2 Seat Assembly

- Lay the seat bracket (C) on the plastic board (F)
- Align the holes on the plastic board (F) with the holes on the seat bracket (C)
- Secure the seat bracket (C) with the 1/4x1-1/2" lag screws (E) thru the 1/4" washer (D) thru the bracket (C) into the plastic board (F) towards the front edge

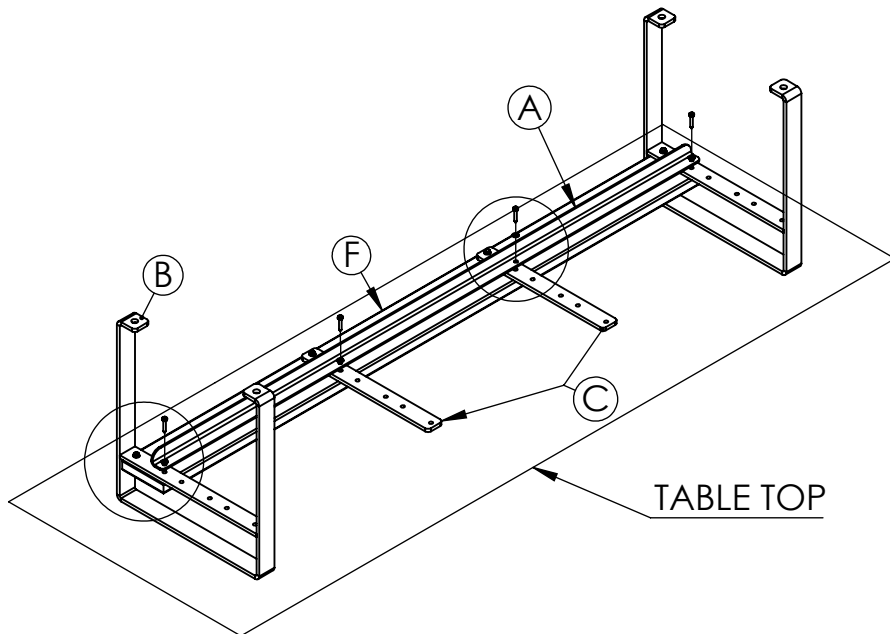
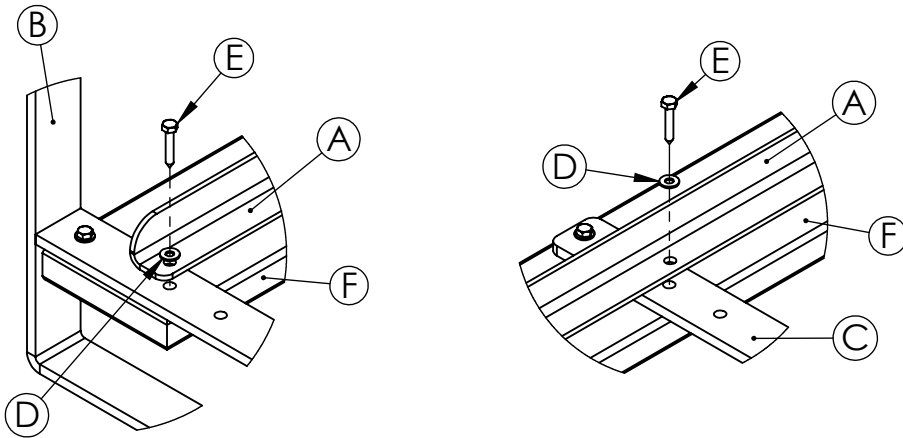
**NOTE: ONLY ONE HOLE WILL HAVE LAG SCREWS, STEP 3 PLACES THE OTHER LAG SCREW INTO THE BOARD**



# BENCH INSTRUCTIONS

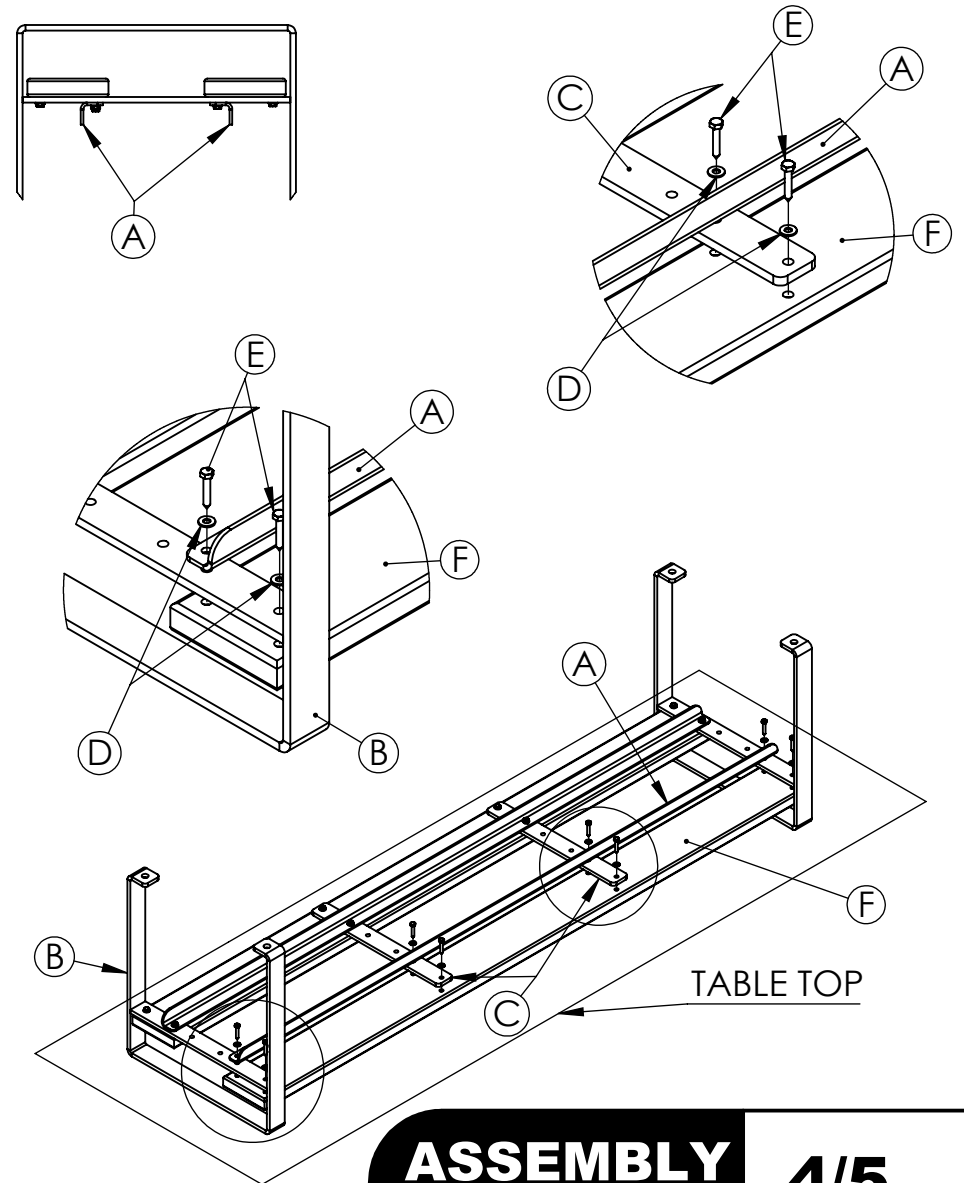
## STEP 3 Seat Assembly

- Align the angle iron (A) with the holes on the bench ends (B) and seat bracket (C)
- Secure the board (F) with the 1/4x1-1/2" lag screws (E) thru the 1/4" washer (D) thru the angle iron (A) thru the end (B) and seat bracket (C) into the plastic board (F) in the empty holes



## STEP 4 Seat Assembly

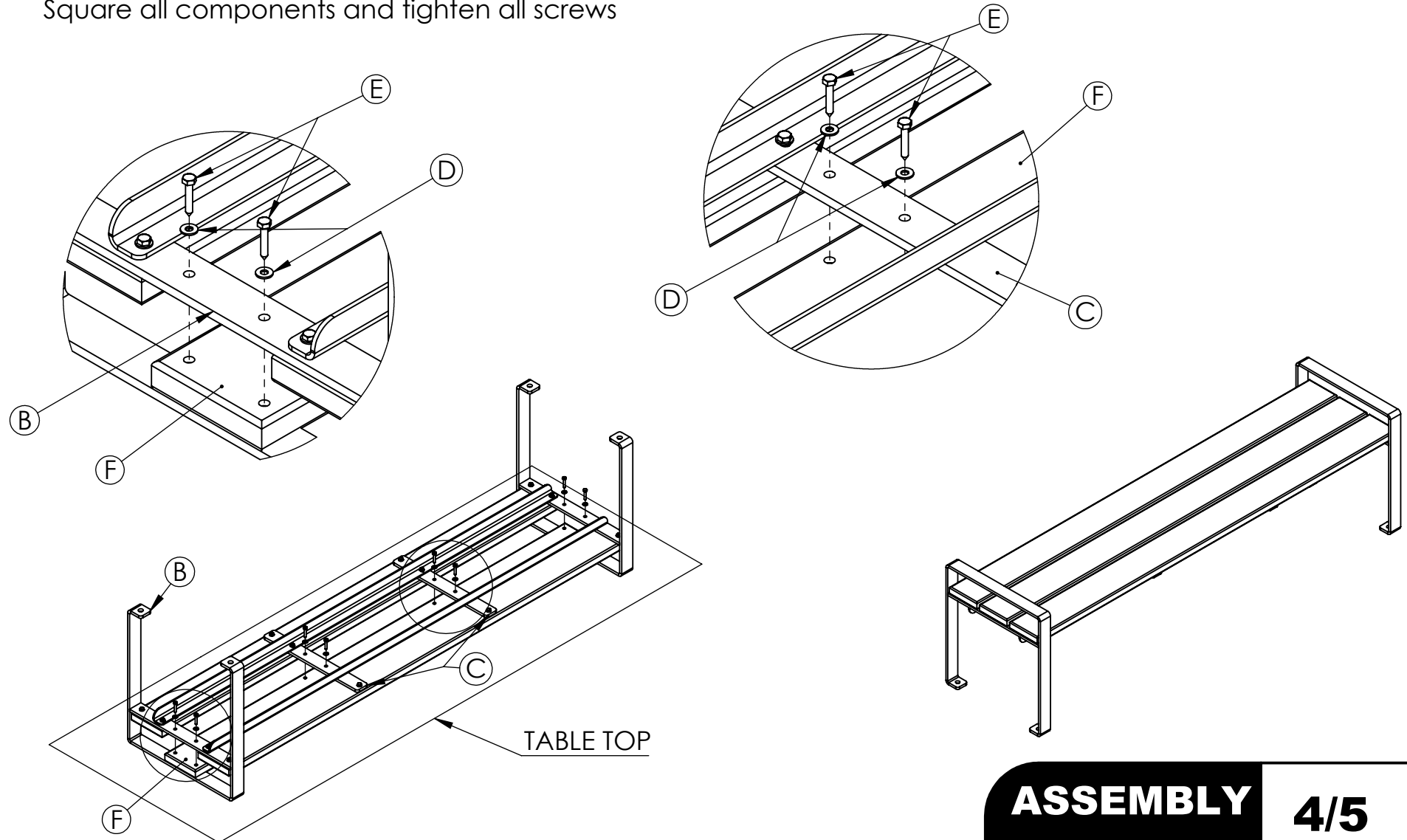
- Repeat steps 1 thru 3 for the plastic board (F) located on the opposite side closest to the leg
- **NOTE-** Angle Irons(A) are facing each other
- Once complete, there should be 2 plastic boards (F), 2 angle irons (A), 2 seat brackets (C) attached to the two ends (B)



# BENCH INSTRUCTIONS

## STEP 5 Seat Assembly

- Lay a plastic board (F) in the middle of the seat under the ends (B) and under the seat brackets (C)
- Align the holes on the plastic board (F) with the holes on the bench ends (B) and seat brackets (C)
- Secure the board (F) with the 1/4x1-1/2" lag screws (E) thru the 1/4" washer (D) thru the end (B) and seat bracket (C) into the plastic board (F)
- Turn bench upright
- Square all components and tighten all screws

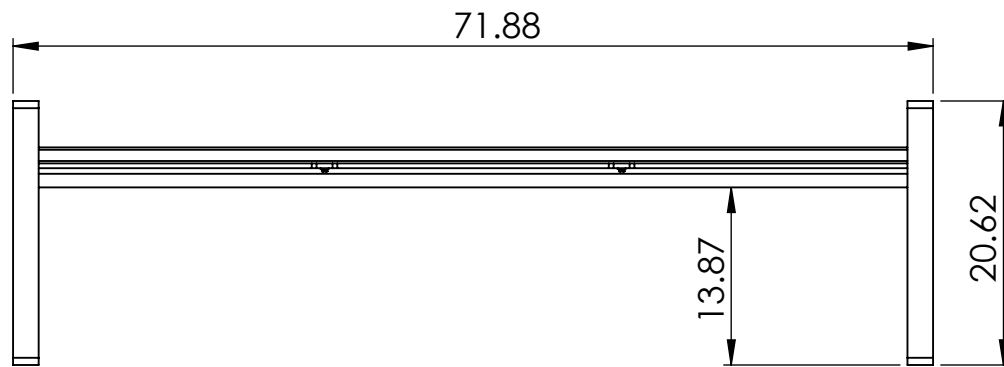
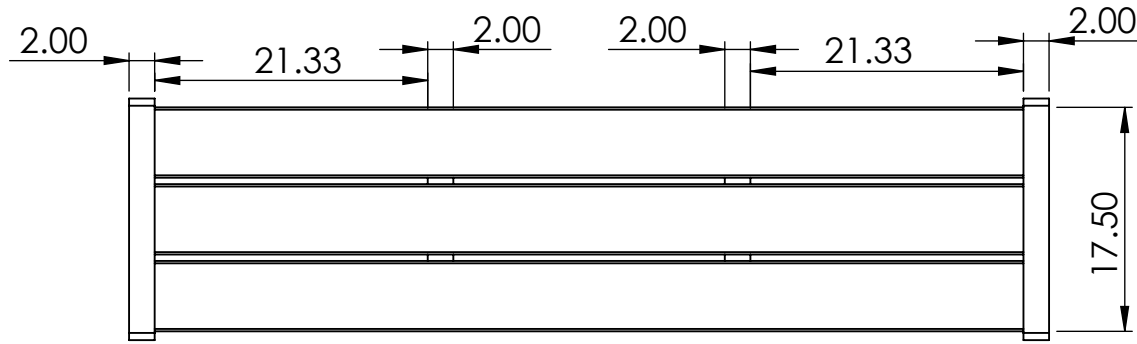


# BENCH SPECIFICATIONS

BC1936

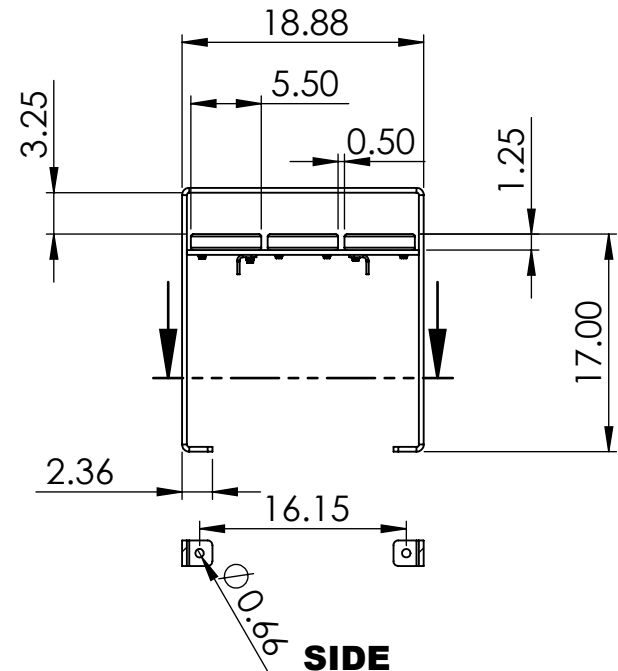
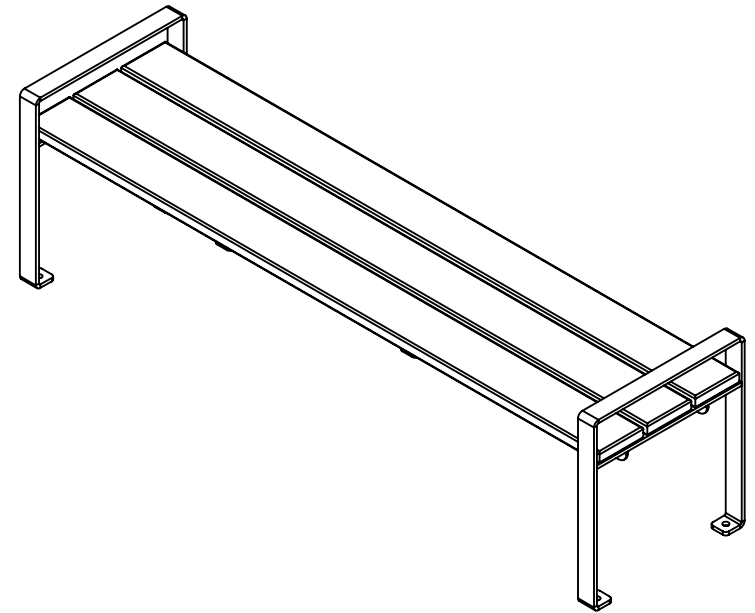
REV# 1  
2/24/2017

**TOP**



**FRONT**

**CONSTRUCTION MATERIALS:**  
Recycled Plastic  
**HARDWARE:**  
Stainless Steel



**SIDE**

ALL DIMENSIONS ARE SHOWN IN INCHES