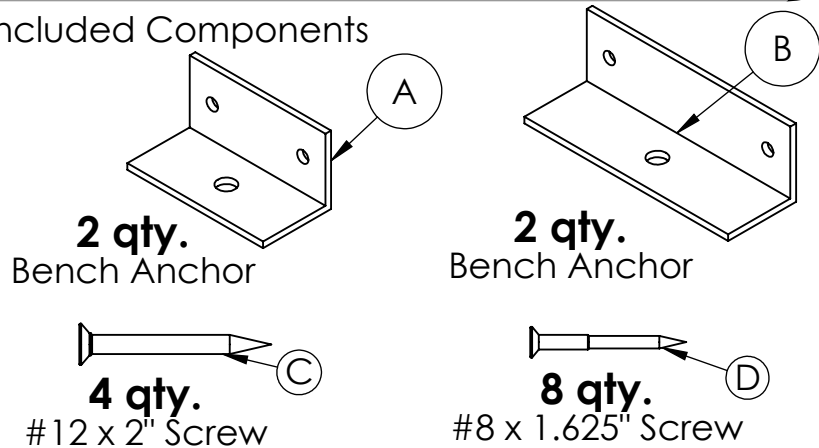


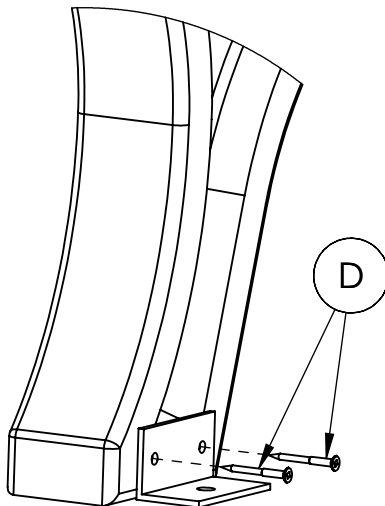
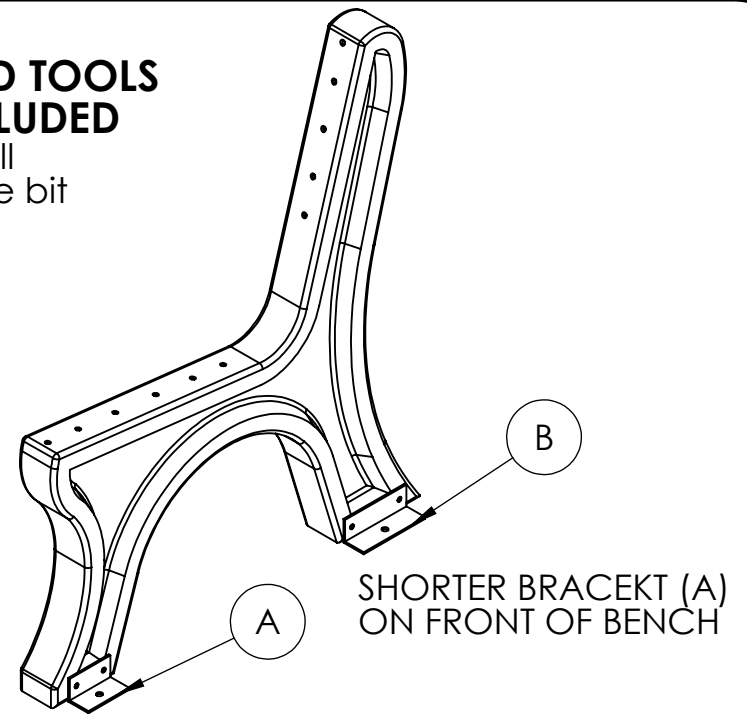
# BENCH ANCHOR KIT INSTRUCTIONS WOOD OR NON-CONCRETE

## Included Components



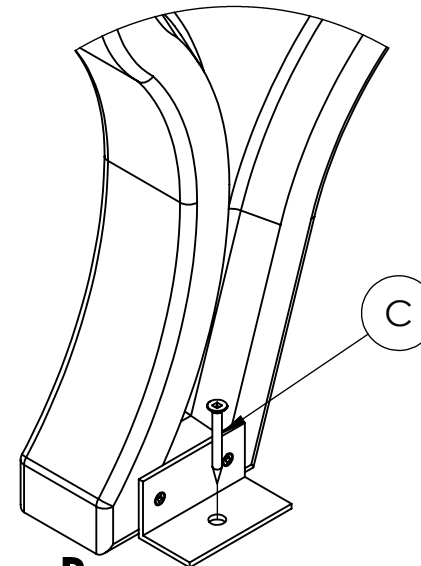
## REQUIRED TOOLS NOT INCLUDED

- Power Drill
- #2 Square bit



### Step A

Position bench with anchor (A) in place. Mark position of anchors on bench leg and mounting surface. Screw 1-5/8" screws (D) into bench leg.

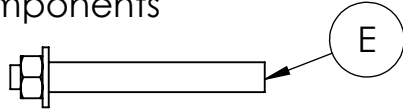


### Step B

Screw 2" screws (C) into mounting surface.

# BENCH ANCHOR KIT INSTRUCTIONS CONCRETE

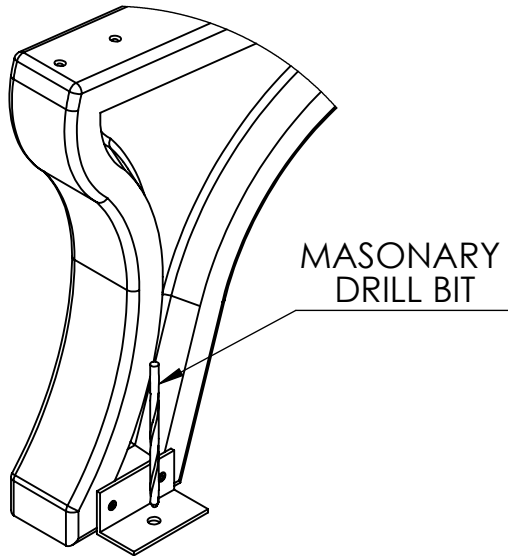
## Included Components



**4 qty.**  
Sleeve Anchors  
(Concrete Installation)

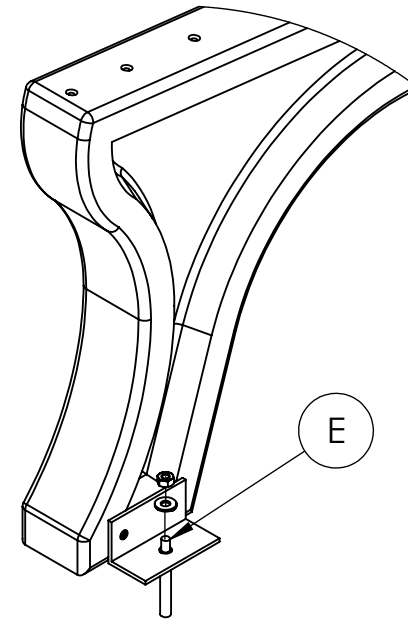
## REQUIRED TOOLS NOT INCLUDED

- HAMMER DRILL
- 5/16" MASONRY DRILL BIT
- HAMMER
- 7/16" SOCKET OR WRENCH



### Step C

Using a hammer drill and 5/16" masonry bit, drill a hole for each bench anchor in the concrete.



### Step D

Insert a sleeve anchor into the hole. You may need to tap the anchor down with a hammer to seat the bolt. Tighten the nut to engage the anchor mechanism. If desired, the exposed threads can be cut off when tight.