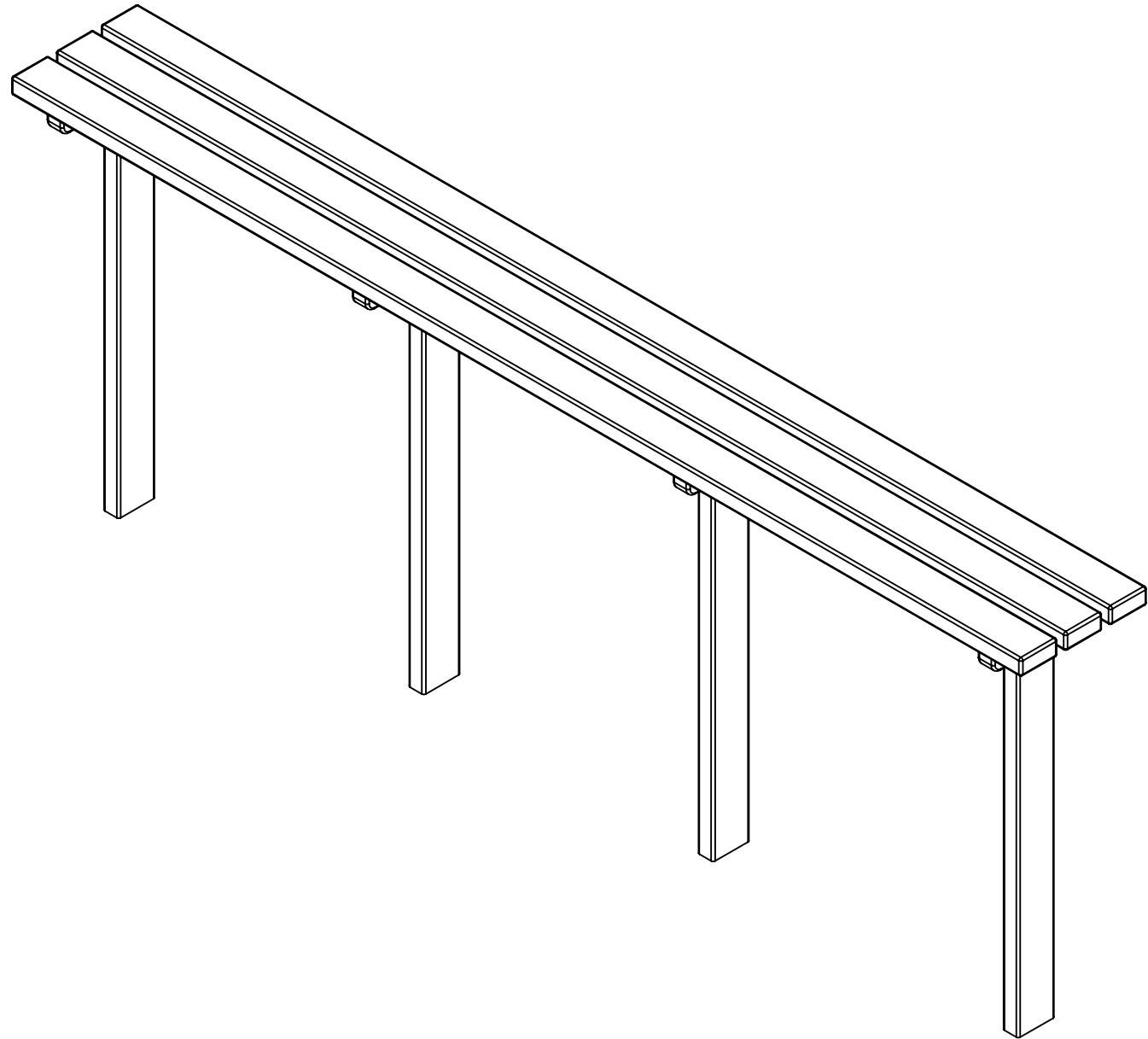
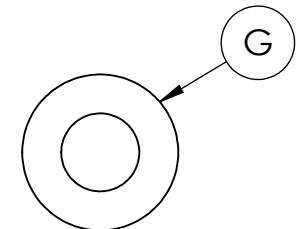
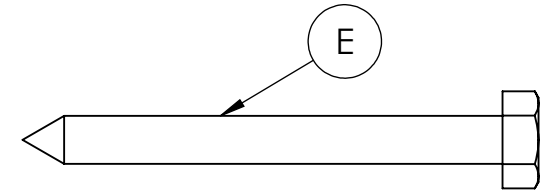
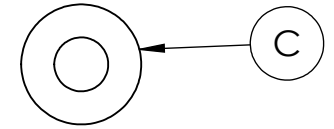
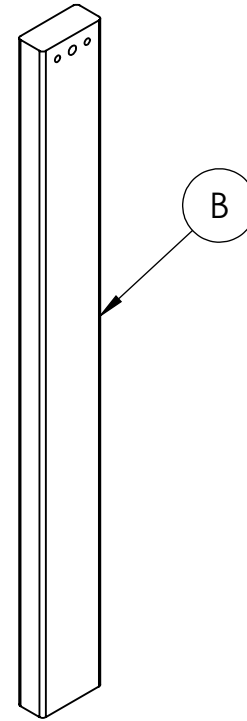
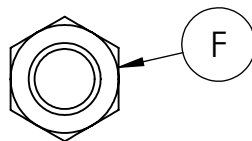
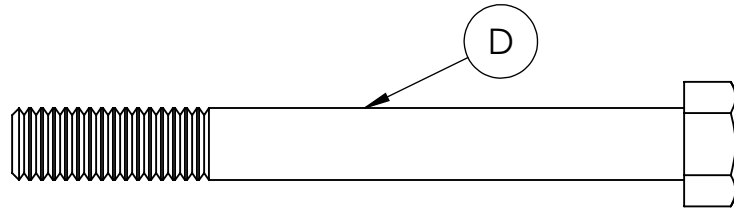
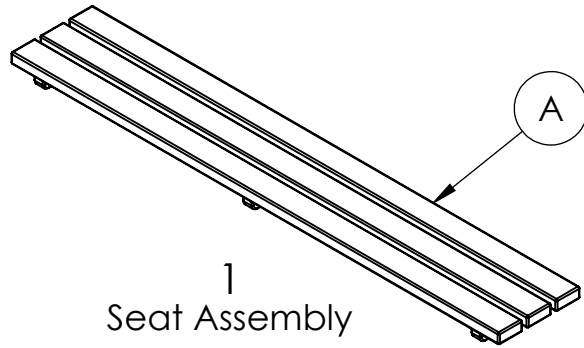


BENCH INSTRUCTIONS
BC1070

REV# 1



BENCH INSTRUCTIONS BC1070



**REQUIRED TOOLS
(NOT INCLUDED)**
1 - 7/16" WRENCH
2 - 9/16" WRENCHES

**NOTE: IT IS IMPORTANT TO KEEP ALL SCREWS LOOSE
DURING ASSEMBLY UNTIL ENTIRE BENCH IS ASSEMBLED**

**HARDWARE &
TOOLS REQUIRED
FOR ASSEMBLY**

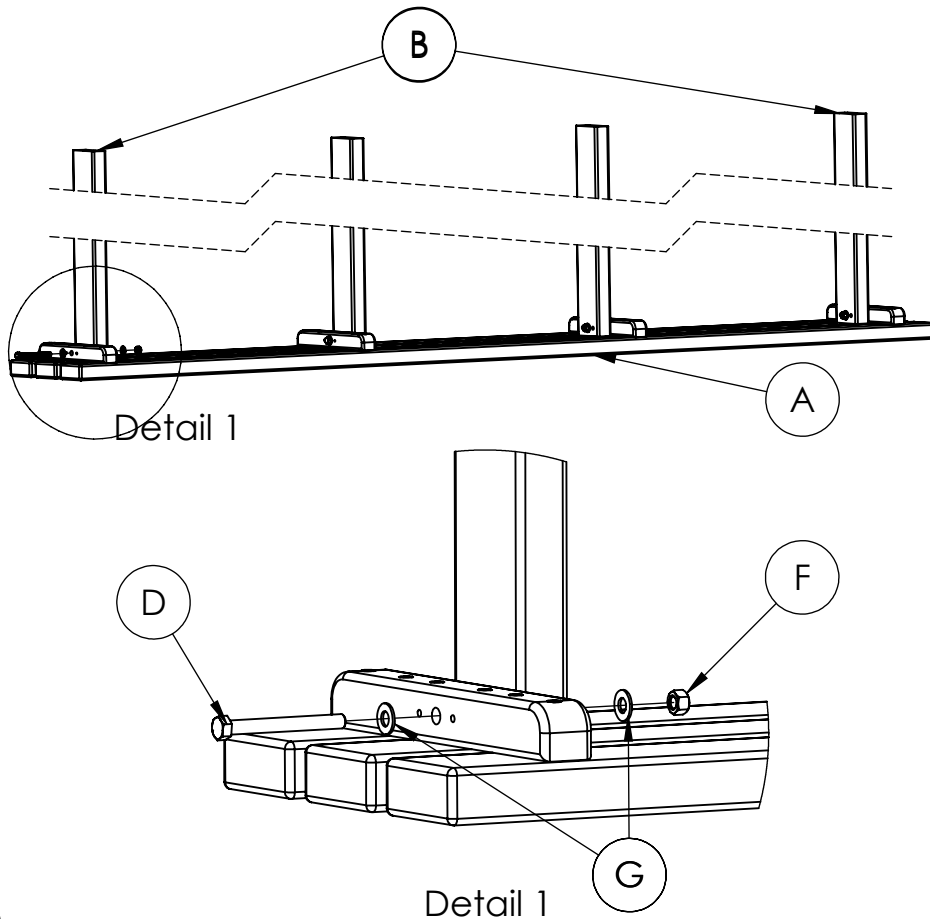
2/5

BENCH INSTRUCTIONS

BC1070

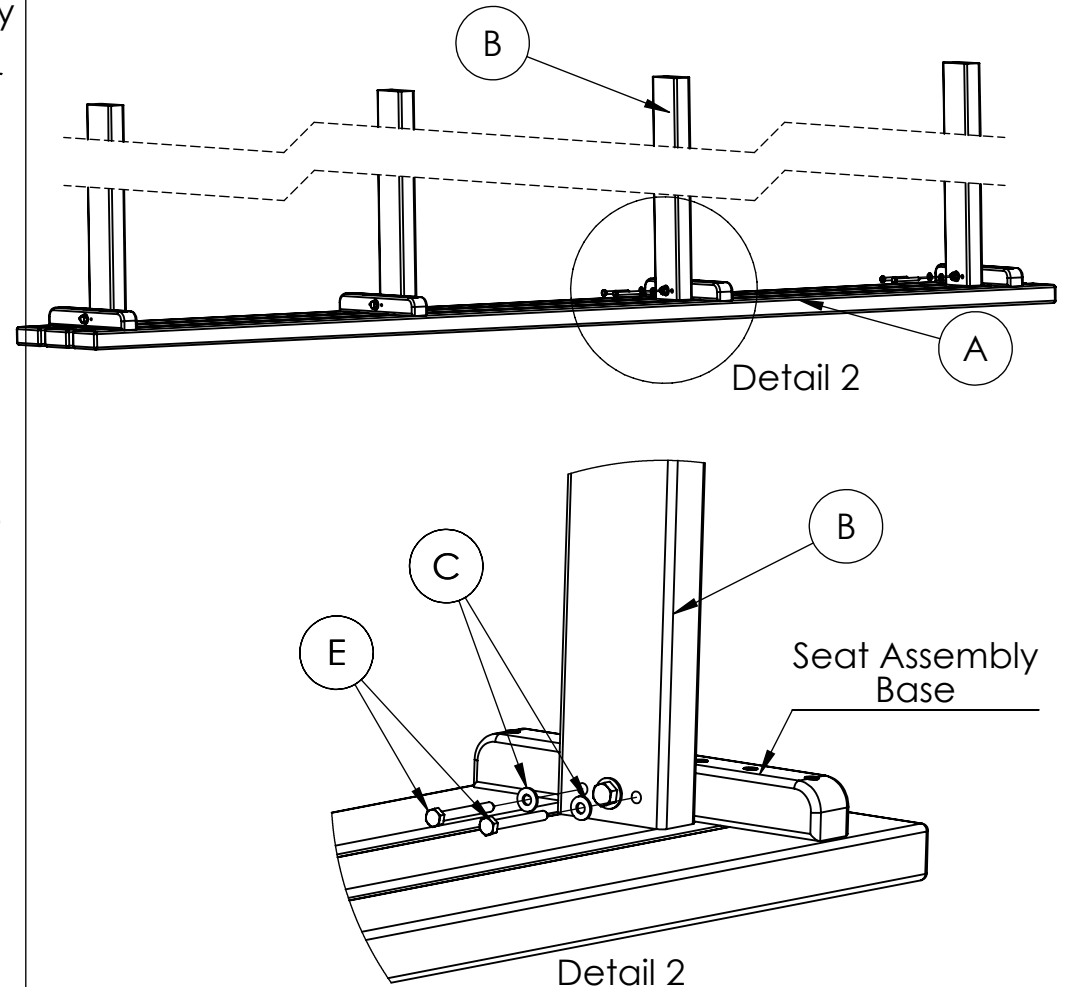
STEP 1 Seat Assembly

- Locate the seat assembly (A) and place upside down on a clean level surface
- Align the predrilled holes in the bench legs (B) with the predrilled holes in the seat assembly (A)
- Insert (1) 3/8" x 3.5" hex bolt (D) with a 3/8" flat washer (G) into each center hole in seat assembly (A) and bench leg (B)
- Secure each bench leg (B) with a 3/8" flat washer (G) and 3/8" hex nut (F)
- Repeat for each bench leg (B)



STEP 2 Seat Assembly

- Align the two outer holes in the bench legs (B) with the corresponding holes in the base of the seat assembly (A)
- Drive (2) 1/4" x 2.5" lag screws (E) with 1/4" flat washers (C) through the face of the bench legs (B) and into the base of the seat assembly
- Repeat for each bench leg (B)



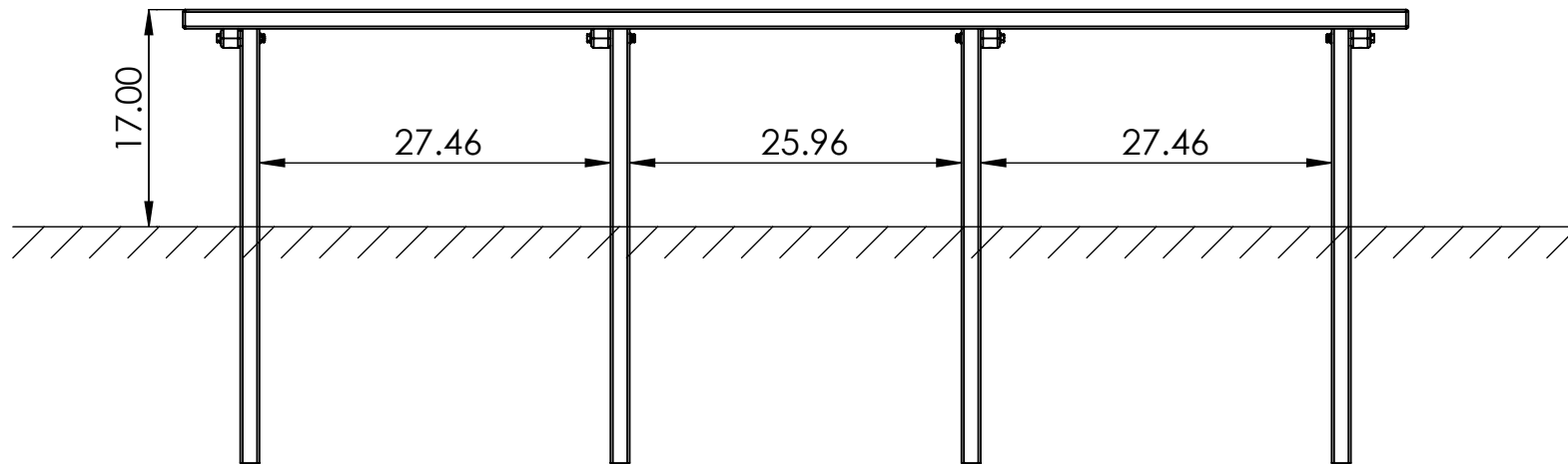
BENCH INSTRUCTIONS

BC1070

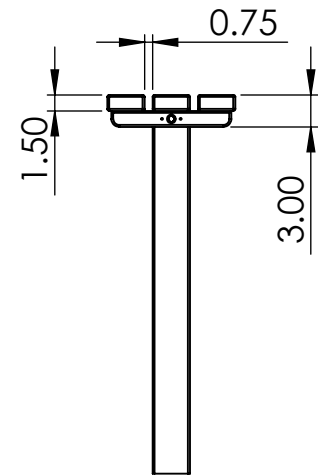
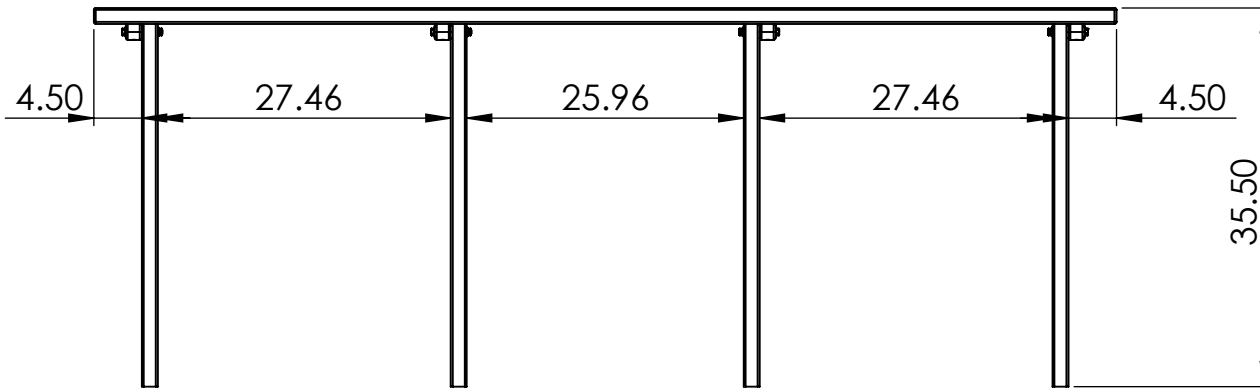
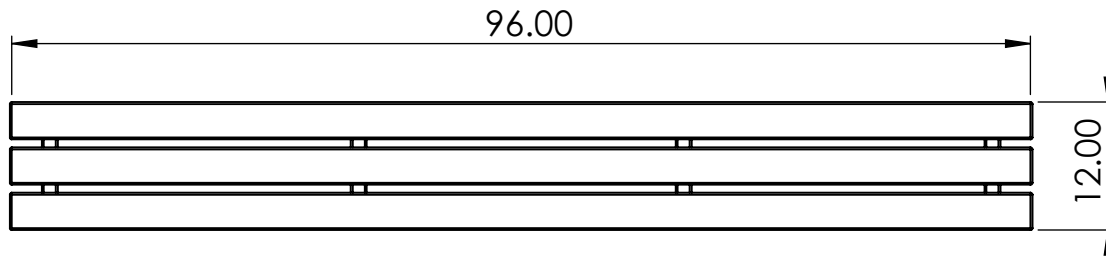
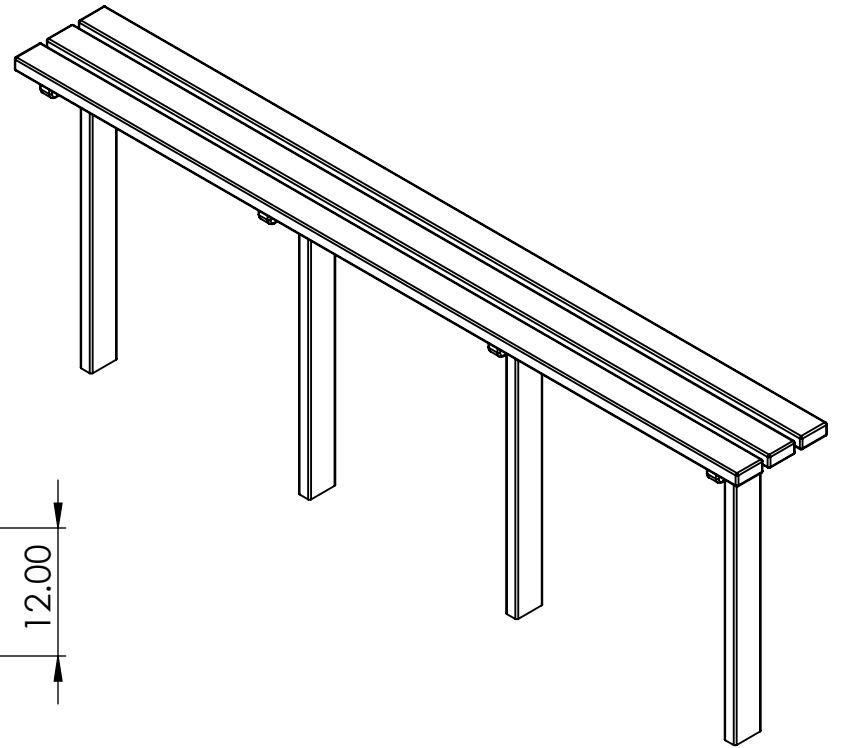
STEP 3 Inground Mount

- Dig three holes 18.5 inches deep by 12 inches in diameter
- Place assembled bench into holes
- Check seat height. Seat should be about 17 inches from the ground
- Check to see that seat and posts are level and square
- Fill the holes with concrete

Note: You may have to attach guide wires or some other form of support to keep the bench level until the concrete hardens.



BENCH SPECIFICATIONS BC1070



CONSTRUCTION MATERIALS:
Recycled Plastic
HARDWARE:
Stainless Steel

SET POSTS 17 TO 18 INCHES INTO GROUND

ALL DIMENSIONS SHOWN IN INCHES