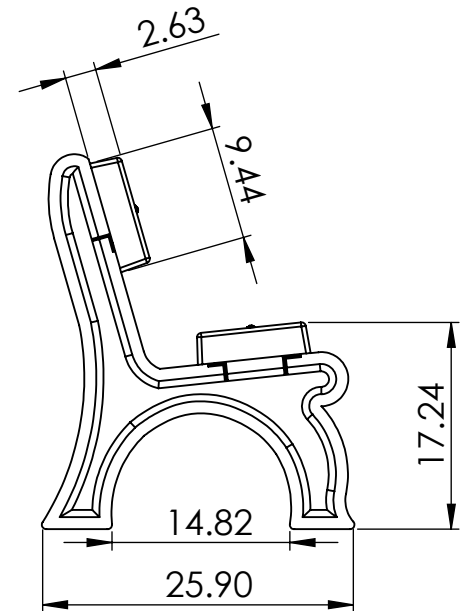
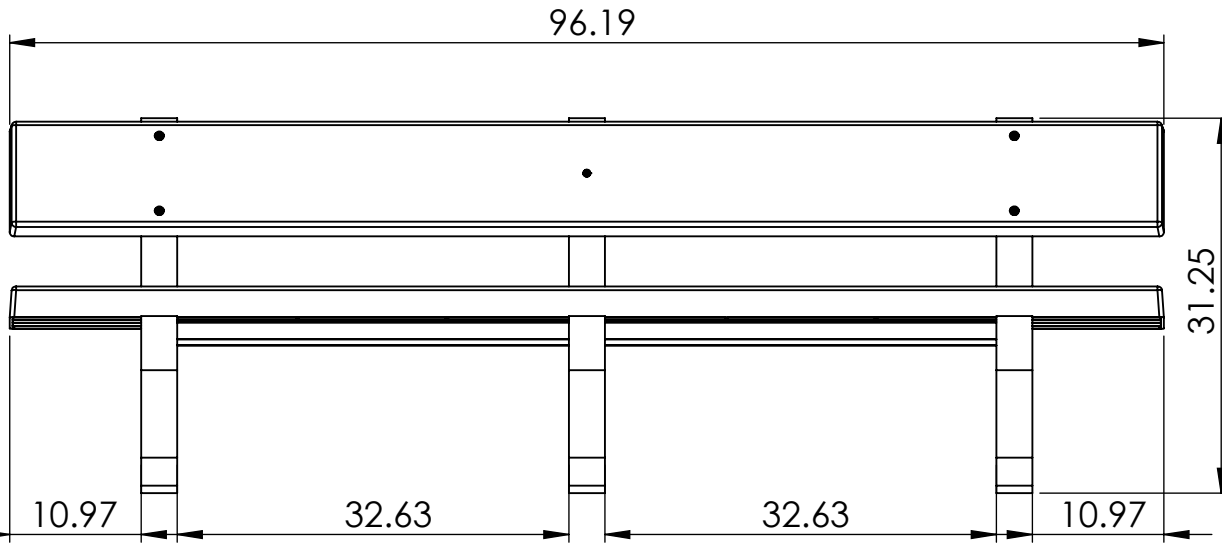
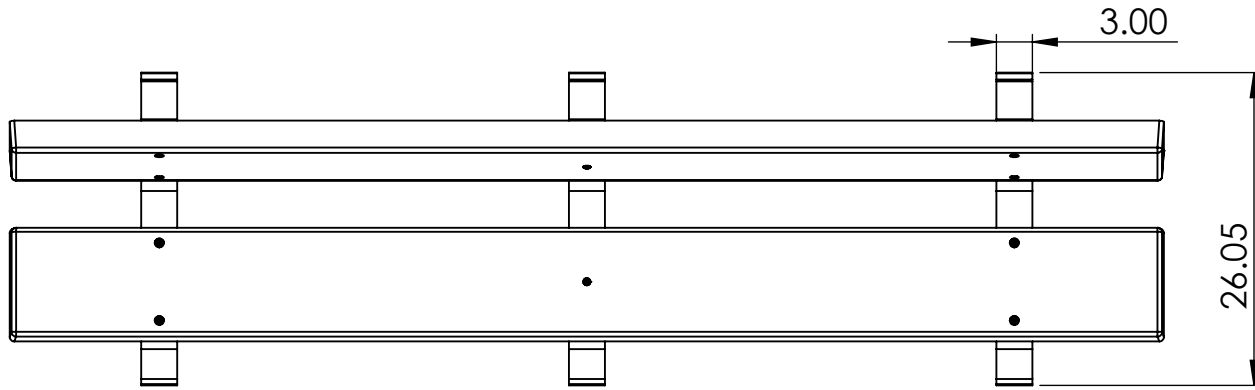
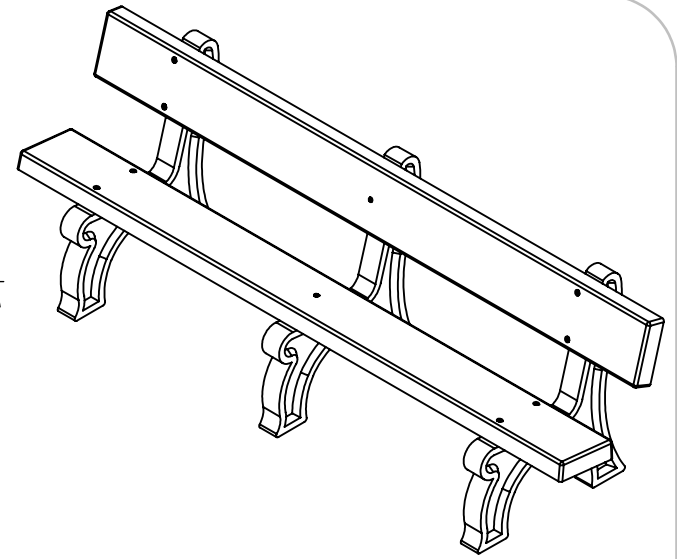


BENCH SPECIFICATIONS BC1630



CONSTRUCTION MATERIALS:
Plastic
HARDWARE:
Stainless Steel